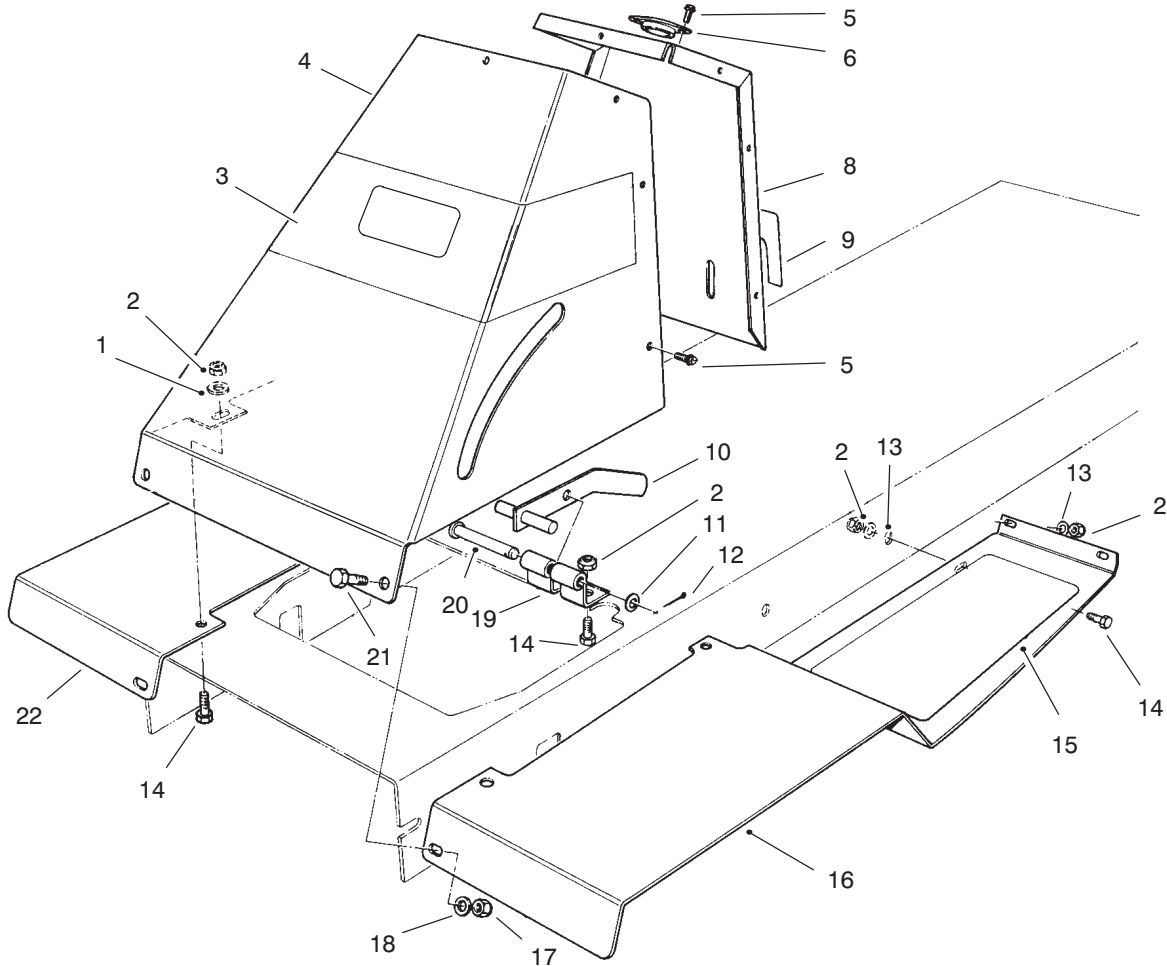




MODEL NO. 70183-690001-790001 & UP

PARTS CATALOG

WHEEL HORSE®
13-32 RIDING MOWER



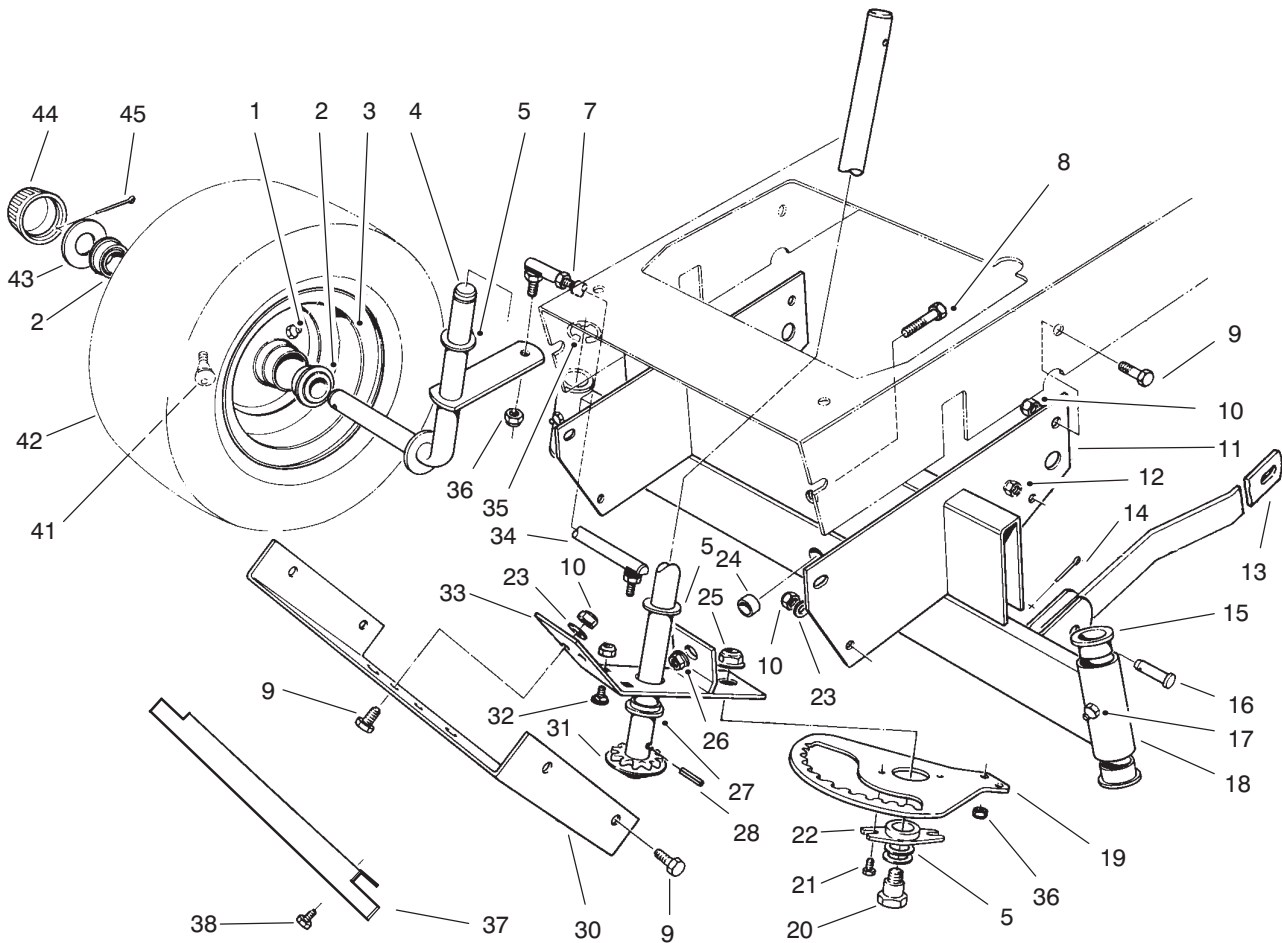
C-1933A

FRONT TOWER ASSEMBLY

Ref. No.	Part No.	Description	No. Used
1	3256-35	Washer - Flat	4
2	3296-29	Nut - Lock	14
3	92-7987	Decal - Recycler	1
4	56-7130	Tower - Front	1
5	32104-76	Screw - Self Tap Acorn Hd.	9
6	56-7170	Guide - Shaft, Steering	1
8	56-7140	Tower - Rear	1
9	93-7008	Decal - Brake, Parking	1
10	47-1290	Brake - Parking	1
11	3256-24	Washer - Flat	1
12	3272-6	Pin - Cotter	1
13	3256-23	Washer - Flat	8
14	322-5	Screw - Cap Hex. Hd.	10

Ref. No.	Part No.	Description	No. Used
15	92-7975	Tread - Foot L.H.	1
*	92-7974	Tread - Foot R.H.	1
16	47-0940	Footrest - L.H.	1
17	3296-42	Nut - Lock	2
18	3256-22	Washer - Flat	2
19	47-2060	Bracket - Brake, Parking	1
20	283-52	Pin - Clevis	1
21	321-4	Screw - Cap Hex. Hd.	2
22	47-0930	Footrest - R.H.	1
*	12-8829	Loose Parts	1
*	12-8819	Loose Parts (Includes Steering Wheel)	1

*Not Illustrated



C-0438C

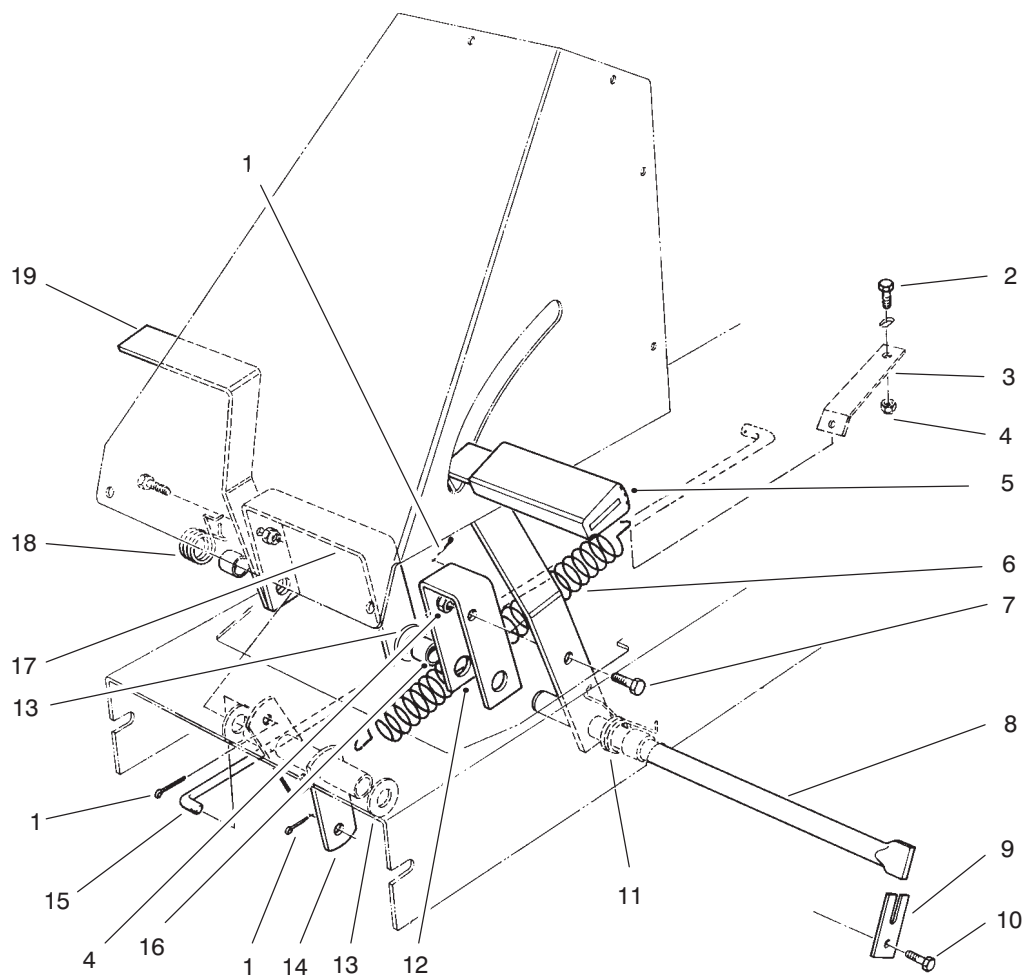
FRONT AXLE ASSEMBLY

Ref. No.	Part No.	Description	No. Used
1	302-5	Fitting - Grease	2
2	110513	Bearing	4
3	217-80	Rim	2
4	47-0600	Spindle - R.H.	1
*	47-0590	Spindle - L.H.	1
5	3-6498	Washer - Thrust	5
7	3220-2	Nut - Hex. Jam	1
8	325-6	Screw - Cap Hex. Hd.	1
9	322-5	Screw - Cap Hex. Hd.	8
10	3296-29	Nut - Lock	8
11	47-0760	Support - Axle, Front	1
12	3296-8	Nut - Lock	1
13	47-0010	Arm - Suspension, Front	2
14	3272-6	Pin - Cotter	2
15	27-9080	Bearing - Flange	4
16	283-2	Pin - Clevis	2
17	302-5	Fitting - Grease	2
18	80-2430	Axle - Front (Incl. Ref. #15 & 17)	1
19	80-2450	Rack - Steering	1
20	56-7530	Bolt - Shoulder	1
21	32144-4	Screw - Special	2
22	56-7520	Bushing - Sector	1
23	3256-23	Washer - Flat	6

Ref. No.	Part No.	Description	No. Used
24	28-0380	Spacer - Axle, Front	1
25	32128-21	Nut - Lock, Flange Hd.	1
26	32128-23	Nut - Lock, Flange Hd.	1
27	47-0700	Bearing - Flange	1
28	32121-9	Pin - Roll	1
30	56-7180	Cover - Front	1
31	56-7500	Shaft - Steering	1
32	3230-18	Bolt - Carriage	2
33	56-7470	Bracket - Rack, Steering (Incl. Ref. #27)	1
34	47-0610	Tie Rod - Adjustable (Incl. Ref. #7)	1
*	80-2460	Tie Rod - Fixed	1
35	32151-48	Ring - Retaining, External	2
36	3296-4	Nut - Lock	4
37	92-0876	Guard - Front	1
38	32144-14	Screw - Thread Forming	2
41	232-27	Valve Stem w/Cap	2
42	231-116	Tire	2
43	28-2480	Washer	2
44	61-9780	Cap - Hub	2
45	3272-12	Pin - Cotter	2
†	232-44	Tube - Inner	2

*Not Illustrated

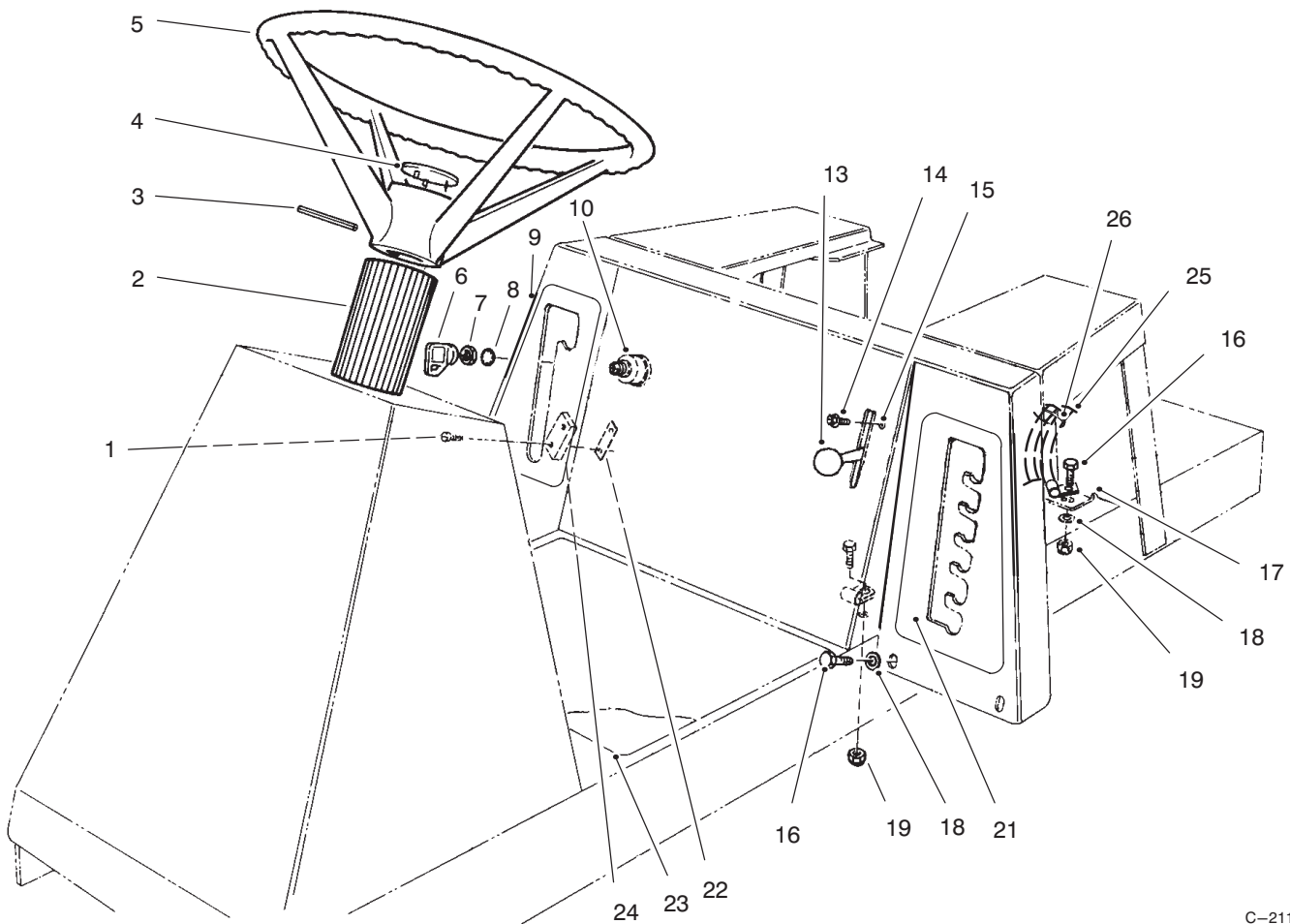
†Service Replacement Part



C-0439A

BRAKE & CLUTCH ASSEMBLY

Ref. No.	Part No.	Description	No. Used	Ref. No.	Part No.	Description	No. Used
1	3272-6	Pin - Cotter	3	11	56-7070	Spring - Torsion, Clutch	1
2	322-5	Screw - Cap Hex. Hd.	1	12	47-0560	Bracket - Clutch, Pedal	1
3	56-7240	Bracket - Retaining, Spring	1	13	3256-27	Washer - Flat	3
4	3296-29	Nut - Lock	3	14	56-7650	Tube - Pivot	1
5	65-2920	Pad - Pedal, Foot	2	15	56-7570	Rod - Engagement	1
6	62-3930	Spring - Extension	1	16	47-0570	Spacer - Pedal	3
7	322-5	Screw - Cap Hex. Hd.	2	17	47-0550	Bracket - Brake, Pedal	1
8	47-0770	Shaft - Pivot, Pedal	1	18	56-7080	Spring - Torsion, Brake	1
9	47-0780	Retainer - Shaft	1	19	47-0540	Pedal	2
10	321-4	Screw - Cap Hex. Hd.	1				

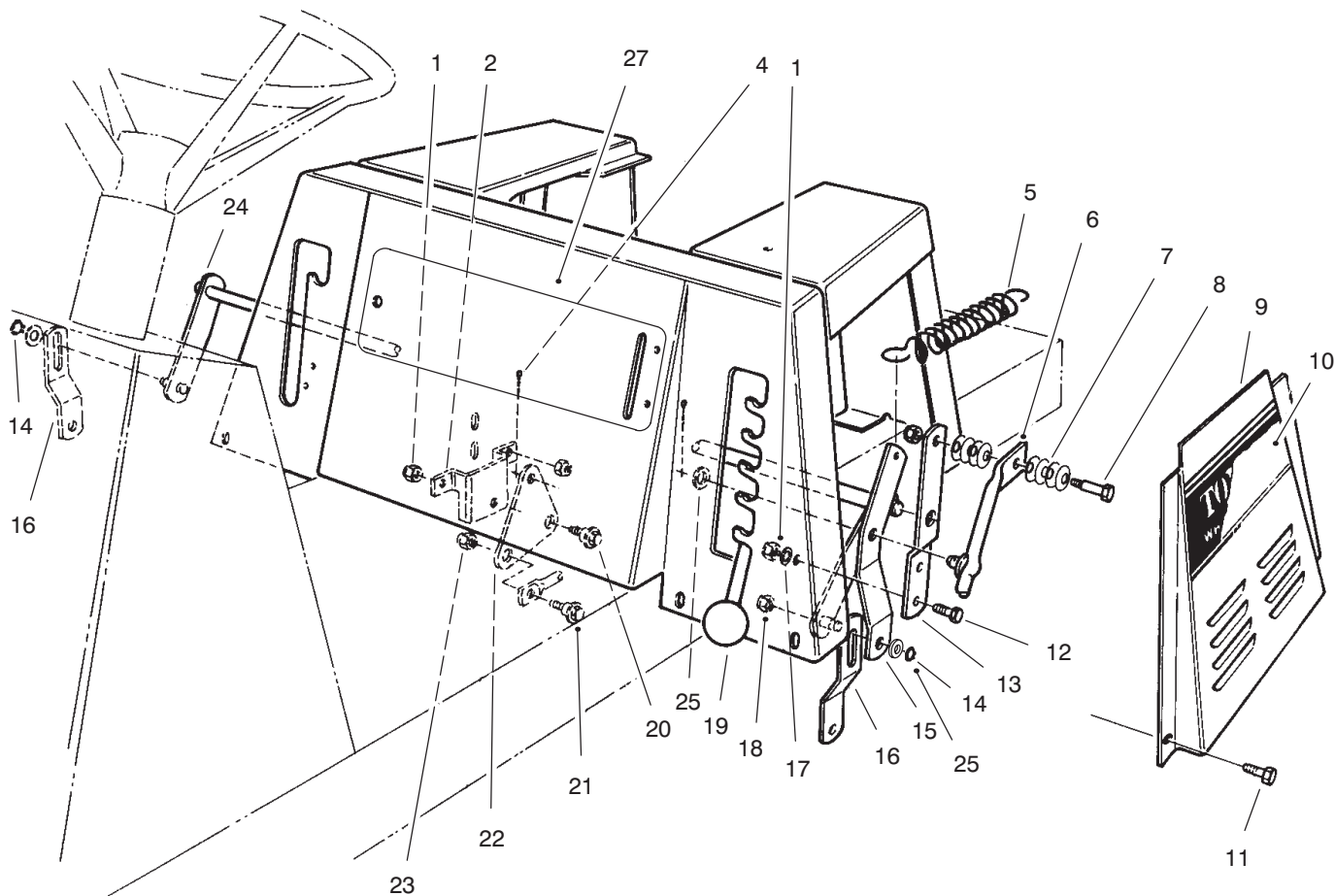


C-2119

STEERING WHEEL, SWITCHES & DECALS

Ref. No.	Part No.	Description	No. Used
1	147665	Screw – Phillips Head	2
2	66-6740	Cover – Shaft, Steering	1
3	32121-78	Pin – Roll	1
4	92-7990	Insert – Wheel, Steering	1
5	49-3242	Assy. – Wheel, Steering (Incl. Ref. #4)	1
6	63-8360	Key	1
7	218-461	Nut – Lock	1
8	3254-5	Washer – Lock, Int. Tooth	1
9	92-7983	Decal – Deck Engage	1
10	88-9830	Switch – Ignition (Incl. Ref. #6-8)	1
13	233-25	Knob	1

Ref. No.	Part No.	Description	No. Used
14	32104-76	Screw – Self-Tapping	2
15	92-0890	Control – Throttle (Incl. Ref. #13)	1
16	322-5	Screw – Cap Hex. Hd.	8
17	8830	Clamp	2
18	3256-23	Washer – Flat	7
19	3296-29	Nut – Lock	4
21	92-7984	Decal – H.O.C.	1
22	3290-354	Nut – Double	1
23	93-7006	Decal – Instructions	1
24	88-9931	Switch – Micro	1
25	54-3090	Wire Assembly	1
26	3290-378	Tie – Cable	1

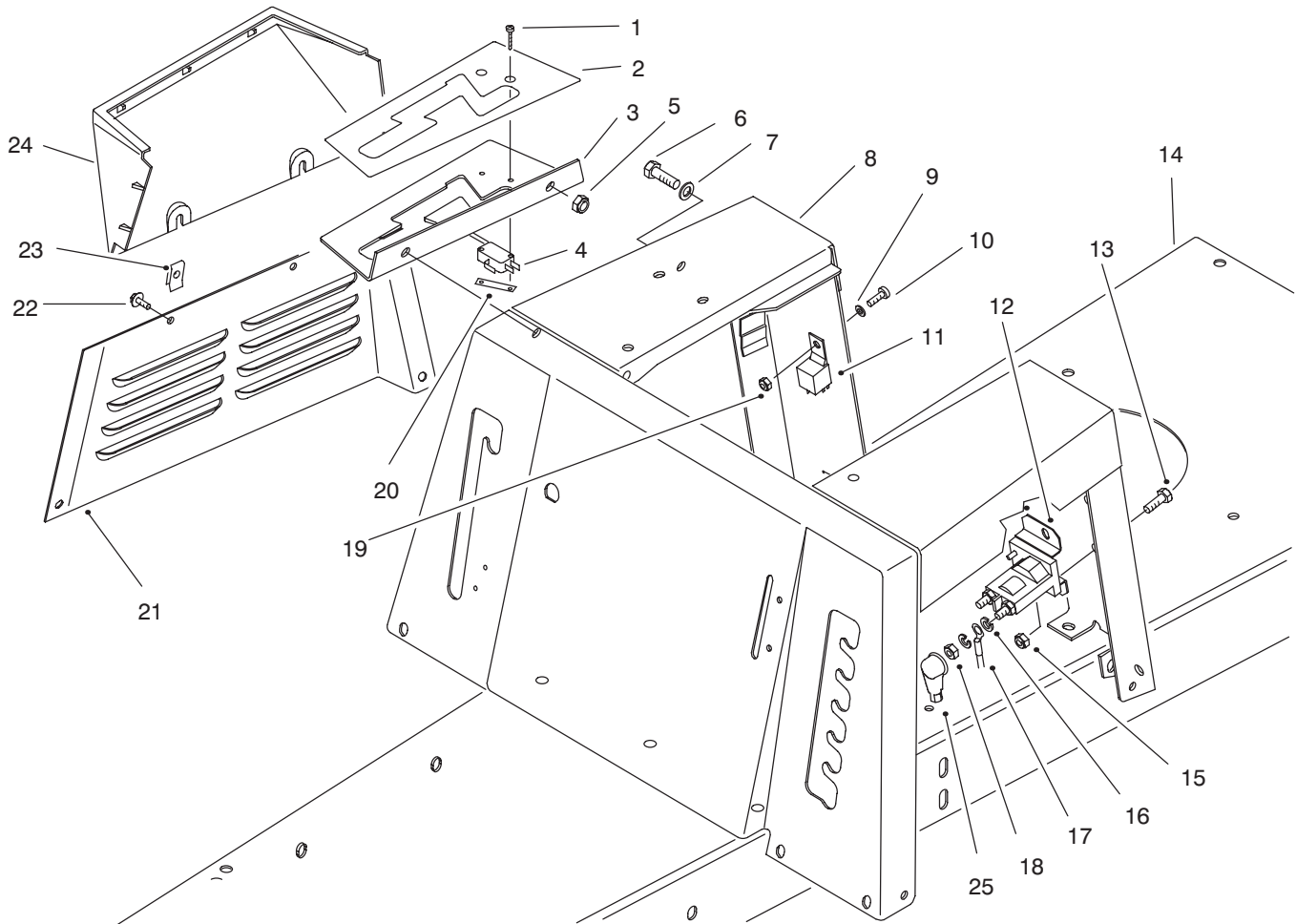


C-1935B

LINKAGE ASSEMBLY

Ref. No.	Part No.	Description	No. Used
1	3296-29	Nut - Lock	7
2	80-2310	Bracket - Bell Crank Mount	1
4	3272-6	Pin - Cotter	2
5	62-3930	Spring - Extension	1
6	47-1850	Lever - Height-of-Cut	1
7	3290-413	Washer - Belleville	8
8	28-0540	Bolt - Shoulder	1
9	92-0878	Panel L.H. - Base, Seat	1
10	94-3516	Decal - L.H.	1
11	321-4	Screw - Cap Hex. Hd.	4
12	322-5	Screw - Cap Hex. Hd.	2
13	47-1840	Bracket - Height-of-Cut	1
14	32151-61	Ring - Retaining	2

Ref. No.	Part No.	Description	No. Used
15	80-2321	Bracket - H.O.C., Engage	1
16	63-5830	Link - Suspension, Deck	2
17	3256-23	Washer - Flat	4
18	3296-42	Nut - Lock	1
19	233-48	Knob	1
20	19-1470	Bolt - Shoulder	1
21	65-5670	Bolt - Shoulder	1
22	80-2360	Crank - Bell, Deck Engage	1
23	3296-8	Nut - Lock	1
24	56-7400	Arm - Lever, H.O.C.	1
25	3256-26	Washer - Flat	2
27	92-7982	Decal - Control Panel	1

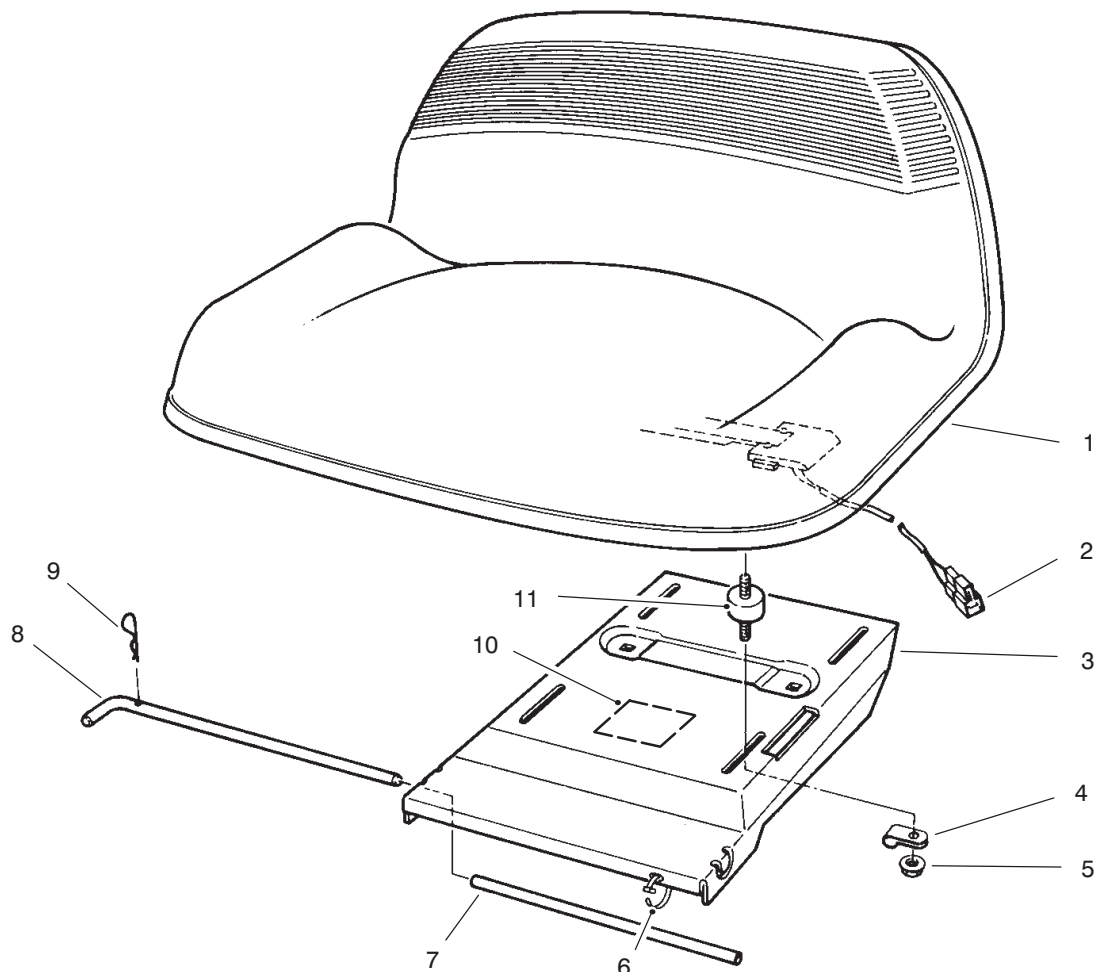


C-1587A

SEAT BODY & SIDE PANEL ASSEMBLY

Ref. No.	Part No.	Description	No. Used
1	147665	Screw – Phillips Hd.	2
2	93-7007	Decal – Shift Pattern	1
3	92-0895	Gate – Shift	1
4	88-9930	Switch – Micro, Short	1
5	3296-29	Nut – Lock	2
6	322-5	Screw – Cap Hex. Hd.	2
7	3256-23	Washer – Flat	2
8	92-0866	Body W.A. – Seat Support	1
9	3256-14	Washer – Flat	1
10	3290-134	Screw – Machine	1
11	116397	Relay	1
12	47-1910	Solenoid	1
13	321-4	Screw – Cap Hex. Hd.	2

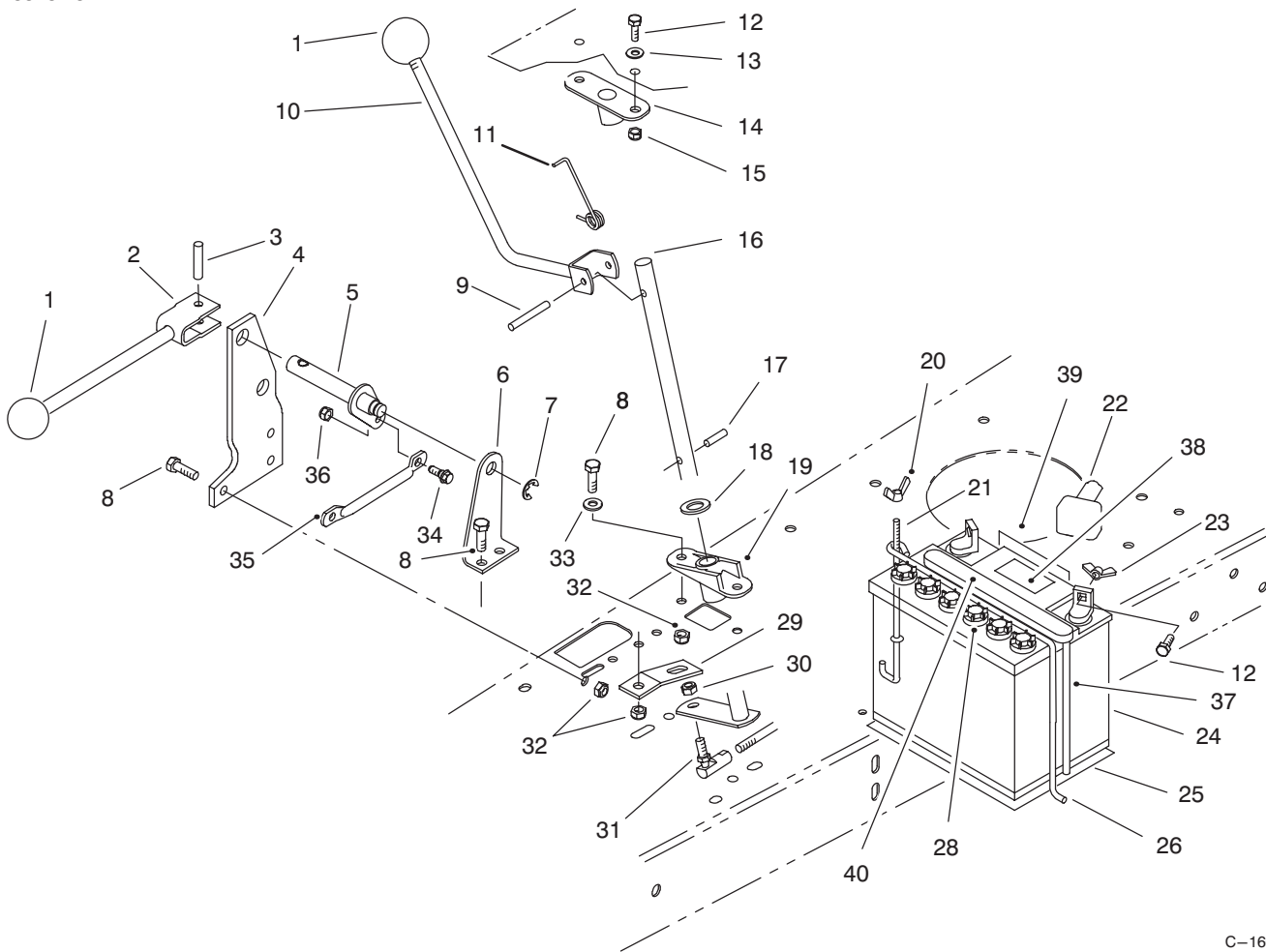
Ref. No.	Part No.	Description	No. Used
14	92-0860	Frame	1
15	3296-42	Nut – Lock	2
16	3253-3	Washer – Lock	2
17	56-7670	Cable – Positive	1
18	3218-1	Nut – Jam	3
19	3296-2	Nut – Lock	1
20	3290-354	Nut – Double	1
21	92-0877	Panel – Seat Base, R.H.	1
22	32144-112	Screw – Sems	2
23	3290-191	Nut – Speed	2
24	88-9800	Cover – Gate, Shift	1
25	93-3190	Boot – Terminal	1



C-0745A

SEAT ASSEMBLY

Ref. No.	Part No.	Description	No. Used	Ref. No.	Part No.	Description	No. Used
1	88-3950	Assembly - Seat	1	7	63-5670	Tube - Bumper, Seat Rod	1
2	38-1420	Switch - Interlock	1	8	80-2620	Rod - Base, Seat	1
3	63-5540	Base - Seat	1	9	3290-307	Pin - Cotter, Hair	1
4	2412-68	Clamp - Wire	1	10	114621	Decal - Euro Noise	1
5	32128-20	Nut - Flange Hd.	4	11	62-5480	Isolator - Seat	4
6	3290-378	Tie - Cable	1				

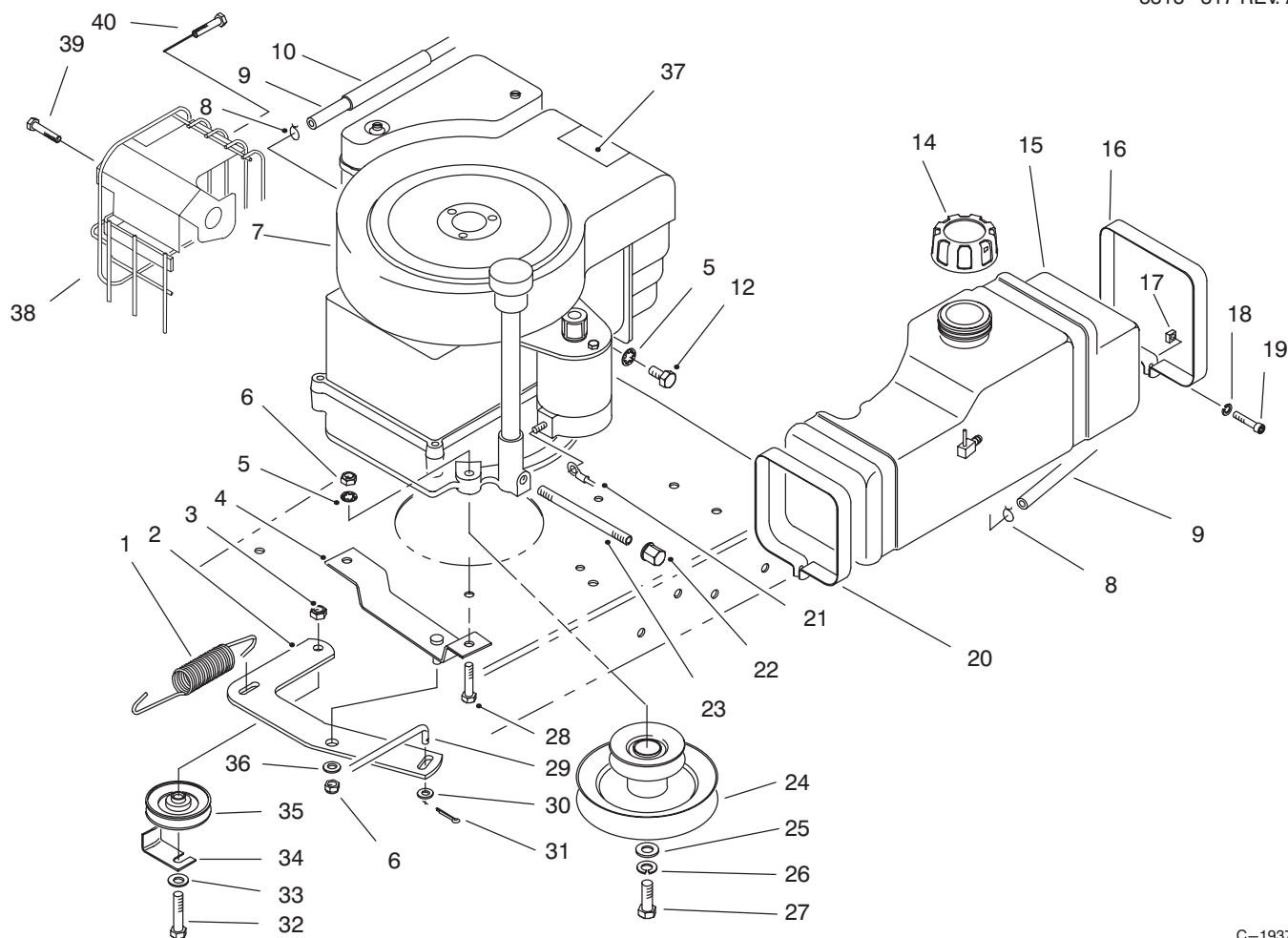


C-1601A

TRANSMISSION LINKAGE ASSEMBLY

Ref. No.	Part No.	Description	No. Used
1	233-48	Knob	2
2	80-2400	Lever W.A. - Engage	1
3	32121-25	Pin - Roll	1
4	80-2350	Pivot - Outer	1
5	80-2370	Shaft W.A. - Pivot	1
6	80-2340	Bracket - Pivot, Inner	1
7	32120-47	Ring - Retaining	1
8	322-5	Screw - Cap Hex. Hd.	4
9	32121-78	Pin - Roll	1
10	92-0884	Lever W.A. - Shaft	1
11	92-0894	Spring - Torsion	1
12	321-4	Screw - Cap Hex. Hd.	2
13	3256-22	Washer - Flat	2
14	92-0888	Support - Shift, Upper	1
15	3296-42	Nut - Lock	2
16	92-0891	Shaft W. A. - Shift	1
17	32121-16	Pin - Roll	1
18	257-11	Washer	1
19	92-0887	Support - Shift, Lower	1
20	32103-12	Nut - Wing	1
21	56-7720	Post - Battery	1

Ref. No.	Part No.	Description	No. Used
22	28-8080	Boot - Terminal	1
23	32103-22	Nut - Wing	2
24	80-2600	Battery - 12 Volt (Incl. Ref. #28 & 37)	1
25	62-4300	Pad - Battery	1
26	56-7710	Hold Down - Battery	1
27	237-143	O-Ring	2
28	218-560	Cap - Battery	6
29	92-0896	Retainer - Spring	1
30	3296-4	Nut - Lock	1
31	2411-32	Ball Joint	1
32	3296-29	Nut - Lock	4
33	3256-23	Washer - Flat	2
34	65-5670	Screw - Shoulder	1
35	80-2330	Link - Bell Crank	1
36	3296-8	Nut - Lock	1
37	56-2540	Tube - Vent, Battery	1
38	93-6668	Decal - Battery Charging Instructions	1
39	93-7276	Decal - Danger	1
40	93-9354	Decal - Battery	1

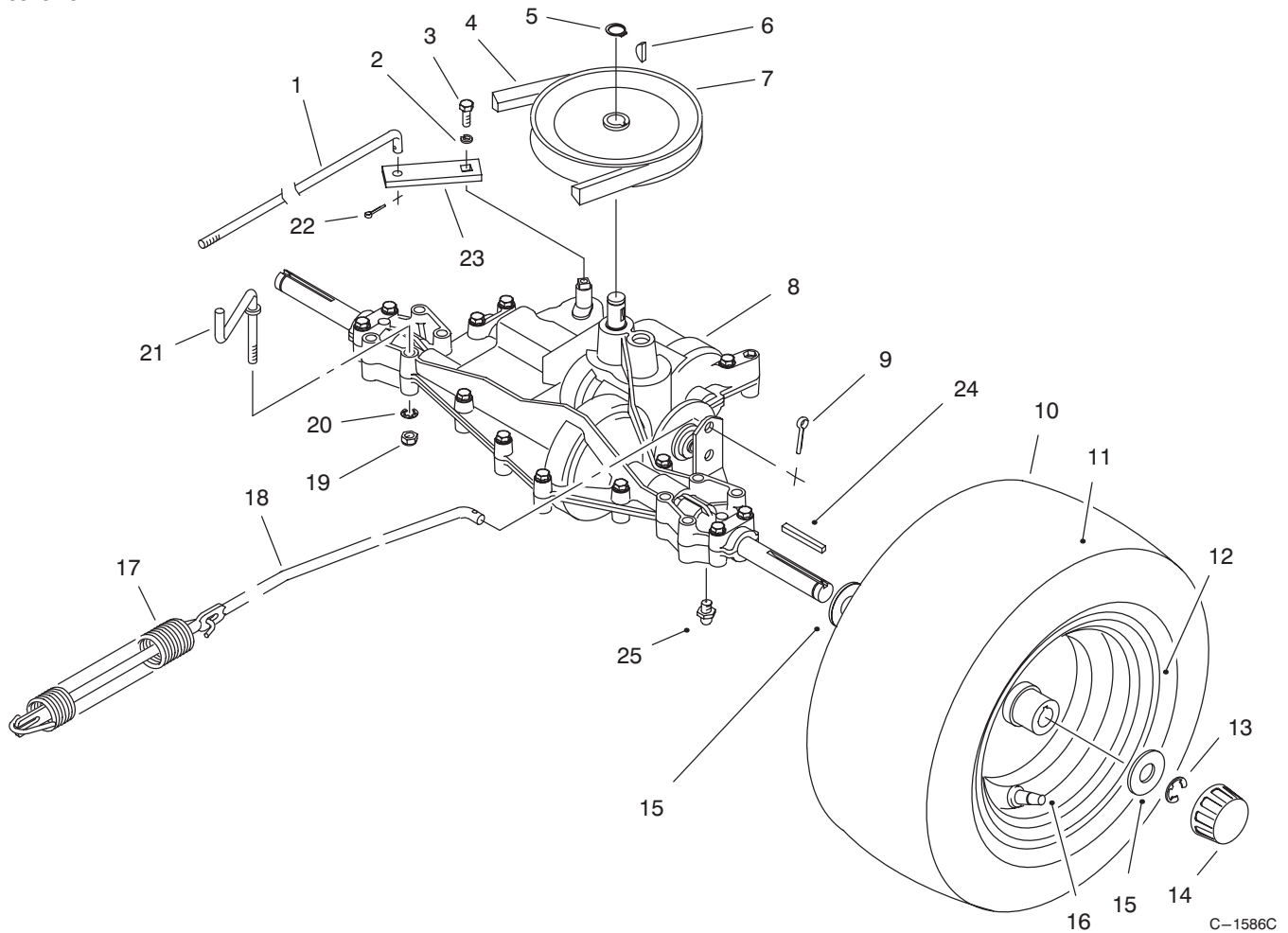


C-1937A

ENGINE ASSEMBLY

Ref. No.	Part No.	Description	No. Used	Ref. No.	Part No.	Description	No. Used
1	92-0879	Spring	1	23	289-19	Nipple - Pipe	1
2	92-0883	Plate - Mounting, Idler	1	24	92-0873	Pulley - Engine	1
3	3296-39	Nut - Lock	1	25	3256-25	Washer - Flat	1
4	92-0881	Bracket W.A. - Traction	1	26	3253-6	Washer - Lock	1
5	3254-2	Washer - Lock, Int. Tooth	3	27	62-3760	Screw - Cap Hex. Hd.	1
6	3296-29	Nut - Lock	2	28	322-7	Screw - Cap Hex. Hd.	4
7		Engine - 11.5 H.P.	1	29	92-0871	Rod - Traction	1
8	2412-98	Clamp - Hose	2	30	3256-22	Washer - Flat	1
9	47-2961	Hose - Fuel Line	1	31	3272-6	Pin - Cotter	1
10	62-5490	Support - Fuel Line	1	32	323-9	Screw - Cap Hex. Hd.	1
12	32144-14	Screw	2	33	3256-24	Washer - Flat	1
14	55-3570	Cap - Fuel	1	34	12-9020	Retainer - Belt	1
15	56-7050	Tank - Fuel	1	35	12-5820	Pulley - Idler	1
16	57-4060	Retainer - Front	1	36	3256-57	Washer - Flat	1
17	32107-11	Nut - Square	2	37	92-8757	Decal - Engine	1
18	3253-3	Washer - Lock	2	38	93-7446	Guard - Muffler	1
19	3274-51	Screw - Hex. Socket Hd.	2			(Incl. Ref. #39 & 40)	1
20	57-4070	Retainer - Rear	1	39	94-1278	Screw	3
21	56-7670	Cable - Battery, Positive	1	40	94-1277	Screw	1
22	288-10	Cap - Pipe	1	*	88-4490	Reducer - Throttle	1

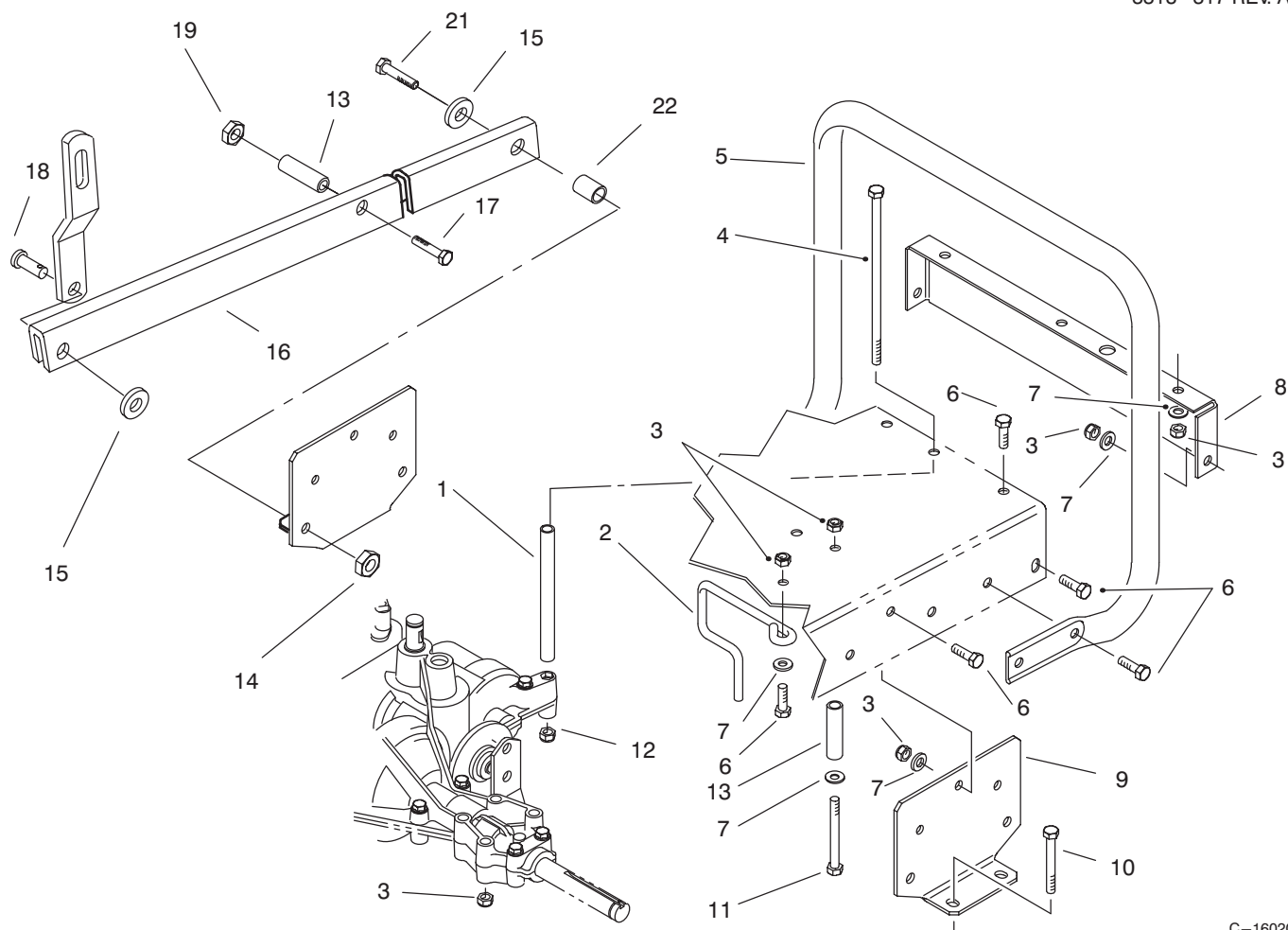
*Not Illustrated



REAR AXLE ASSEMBLY

Ref. No.	Part No.	Description	No. Used
1	92-0889	Link - Shift	1
2	3253-3	Washer - Lock	1
3	329-4	Screw - Cap Hex. Hd.	1
4	92-0870	V-Belt - Traction	1
5	32120-64	Ring - Retaining	1
6	3257-23	Key	1
7	92-0874	Pulley	1
8	92-0862	Transaxle	1
9	3272-16	Pin - Cotter	1
10	231-117	Tire	2
11	232-39	Tube - Inner	2
12	88-9730	Rim	2
13	32151-48	Ring - Retaining	2

Ref. No.	Part No.	Description	No. Used
14	61-9780	Cap - Hub	2
15	28-2480	Washer	4
16	232-27	Stem - Valve	2
17	57-9940	Spring - Brake	1
18	92-0872	Rod - Brake	1
19	3296-29	Nut - Lock	1
20	3254-2	Washer - Lock, Int. Tooth	1
21	92-0899	Guide - Belt, Lower	1
22	3272-6	Pin - Cotter	1
23	92-0880	Arm - Shift, Transaxle	1
24	7-0036	Key - Square	2
25	302-5	Fitting - Grease	2

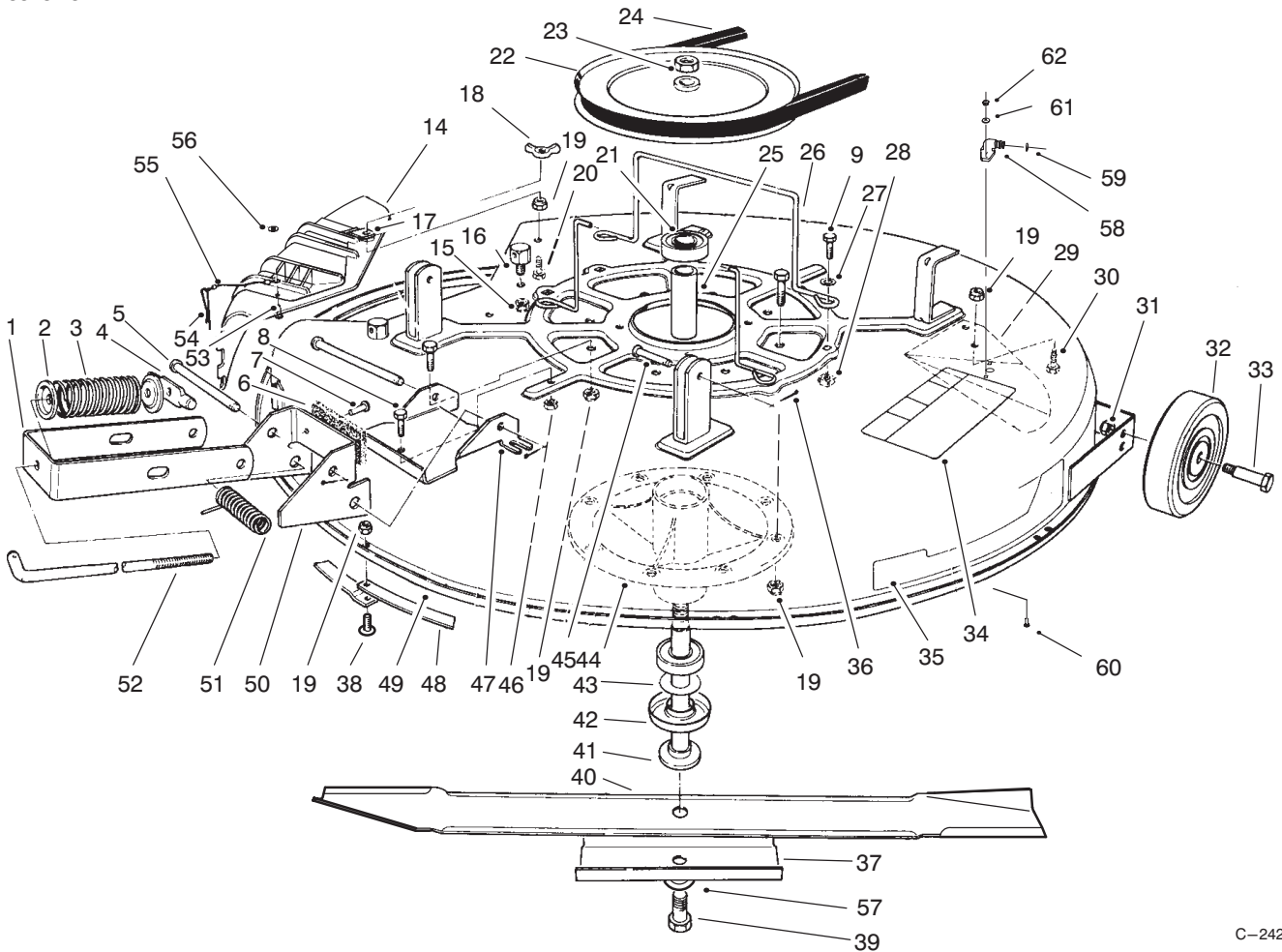


C-1602C

STAND BAR ASSEMBLY

Ref. No.	Part No.	Description	No. Used	Ref. No.	Part No.	Description	No. Used
1	92-0897	Spacer	1	12	3296-47	Nut - Lock	1
2	92-0898	Guide - Belt	1	13	76-1560	Spacer	4
3	3296-29	Nut - Lock	17	14	3296-59	Nut - Lock	3
4	322-50	Screw - Cap Hex. Hd.	1	15	3256-24	Washer - Flat	4
5	92-0864	Standbar	1	16	76-1540	Arm - Suspension R.H.	1
6	322-5	Screw - Cap Hex. Hd.	15	*	76-1550	Arm - Suspension L.H.	1
7	3256-23	Washer - Flat	12	17	323-14	Screw - Hex Hd. Cap	2
8	92-0861	Frame - Rear	1	18	283-42	Pin - Clevis	2
9	92-0865	Support - Axle	2	19	3296-39	Nut - Lock	2
10	322-12	Screw - Cap Hex. Hd.	4	21	323-9	Screw - Hex Hd. Cap	2
11	322-14	Screw - Cap Hex. Hd.	2	22	56-7430	Pin - Support	2

*Not Illustrated

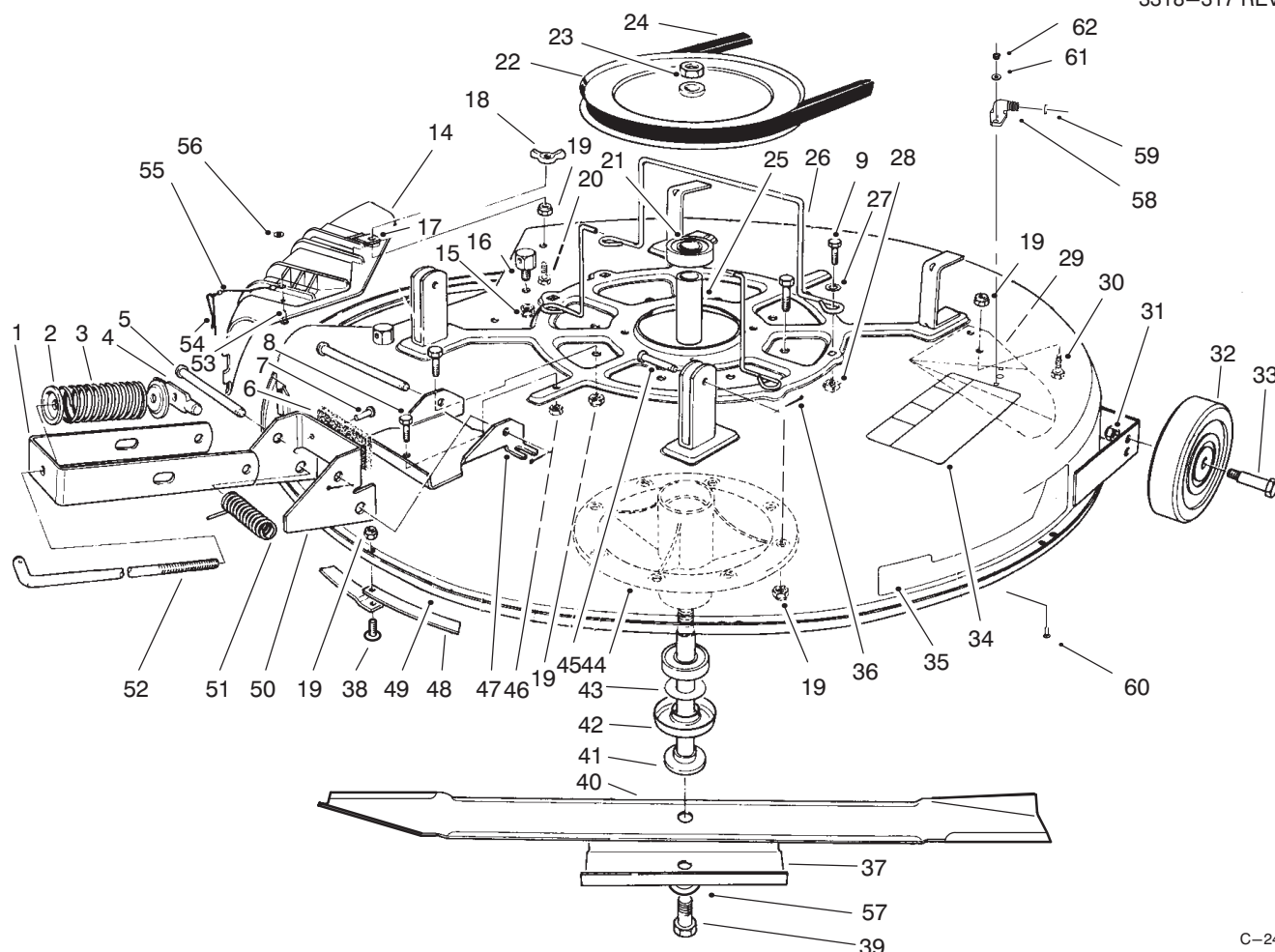


C-2425

MOWER ASSEMBLY – RECYCLER

Ref. No.	Part No.	Description	No. Used
1	47-1180	Bracket – Engagement	1
2	47-1140	Retainer – Spring, Top	2
3	47-0960	Spring – Compression	1
4	47-1200	Shaft – Adjusting	1
5	80-2570	Pin – Clevis	2
6	80-2550	Pad – Brake	1
7	3290-282	Rivet	2
8	321-4	Screw – Cap Hex. Hd.	1
9	322-5	Screw – Cap Hex. Hd.	6
14	82-6150	Assy. – Cover, Discharge (Incl. Ref. #53-56)	1
15	3296-59	Nut – Lock	1
16	28-7350	Post – Pivot	1
17	83-7010	Brace – Cover, Rear	1
18	32103-2	Nut – Wing	1
19	3296-29	Nut – Lock	24
20	322-6	Screw – Cap Hex. Hd.	1
21	251-297	Bearing	2
22	80-4470	Pulley	1
23	3219-7	Nut – Hex. Hd.	1
24	92-0875	V-Belt	1
25	83-7020	Spacer – Bearing	1
26	60-9730	Guide – Belt	2
27	3256-23	Washer – Flat	4
28	3290-496	Nut – Retainer	4
29	80-2630	Kicker – 32”	4
30	322-3	Screw – Cap Hex. Hd.	13
31	3296-39	Nut – Lock	2

Ref. No.	Part No.	Description	No. Used
32	61-9760	Wheel – Deck	2
33	56-6590	Bolt – Wheel	2
34	93-7010	Decal – Danger	1
35	92-7988	Decal – Recycler	1
36	3272-6	Pin – Cotter	2
37	80-4570	Stiffener – Blade	1
38	32122-14	Screw – Truss, Phillips Hd.	8
39	26-0671	Bolt – Blade	1
40	80-4430	Blade – Recycler	1
41	80-4350	Shaft – Spindle	1
42	80-4370	Shield – Bearing	1
43	80-4390	Spacer – Hardened	1
44	56-7030	Body – Spindle	1
45	283-2	Pin – Clevis	2
46	3296-8	Nut – Lock	1
47	80-2560	Plate – Deck, Brake Mtg.	1
48	80-4490	Ring – Deck	4
49	14-9999	Deck – Cutting, Recycler (Incl. Ref. #34) (Serial No 6900001 – 7900999)	1
49	95-7850	Deck Assembly (Incl. Ref. #34) (Serial No. 7901000 & Up)	1
50	80-2530	Assembly – Brake (Incl. Ref. #6-7)	1
51	40-6230	Spring – Torsion	1
52	80-2580	Rod – Adjusting	1

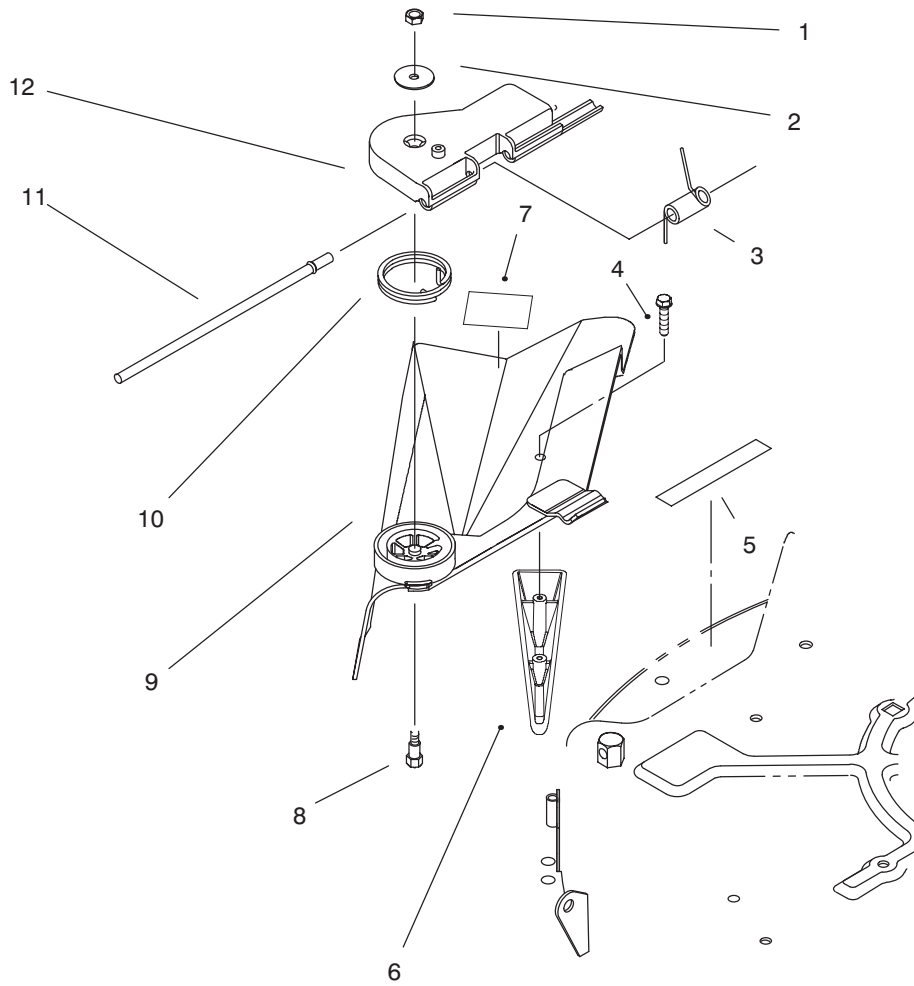


C-2425

MOWER ASSEMBLY – RECYCLER (Cont.)

Ref. No.	Part No.	Description	No. Used
53	3290-282	Rivet	2
54	28-8130	Pin – Chute, Locking	1
55	28-8070	Lanyard	1
56	3256-49	Washer – Flat	1
57	3290-465	Washer – Belleville	1
58	95-2747	Fitting – Washout (Serial No. 7901000 & Up)	1
59	46-6290	O-Ring (Serial No. 7901000 & Up)	1

Ref. No.	Part No.	Description	No. Used
60	3229-1	Bolt – Carriage (Serial No. 7901000 & Up)	2
61	3256-1	Washer – Flat (Serial No. 7901000 & Up)	2
62	3296-16	Nut – Lock (Serial No. 7901000 & Up)	2

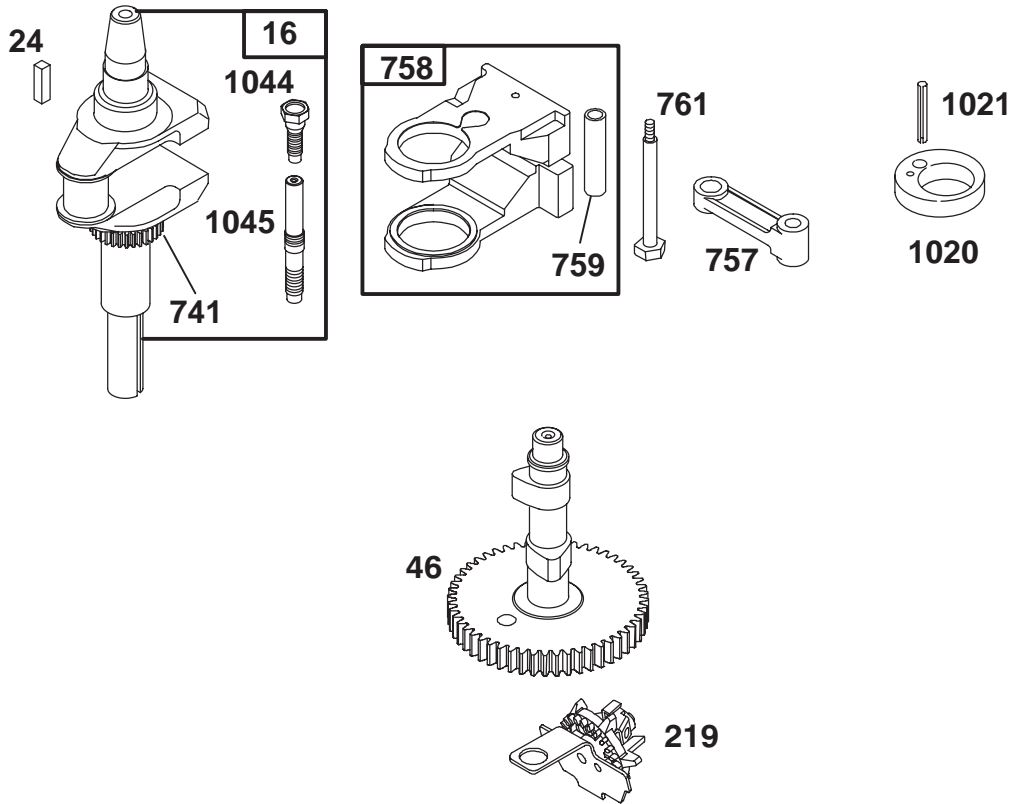


C-2426

DEFLECTOR ASSEMBLY – RECYCLER

Ref. No.	Part No.	Description	No. Used
1	3296-42	Nut – Lock	1
2	3256-58	Washer – Fender	1
3	92-2493	Spring – Torsion	1
4	93-0231	Screw – Pan Hd.	4
5	93-7009	Decal – Deflector Danger	1
6	93-7696	Kicker – CE	2
7	93-7010	Decal – Danger	1

Ref. No.	Part No.	Description	No. Used
8	92-8916	Bolt – Shoulder	1
9	93-7694	Deflector Ass'y (Incl. Ref. #7)	1
10	88-6160	Spring – Torsion	1
11	88-6150	Rod – Deflector Hinge	1
12	88-4540	Hinge – Deflector Danger	1



Assemblies include all parts shown in frames.

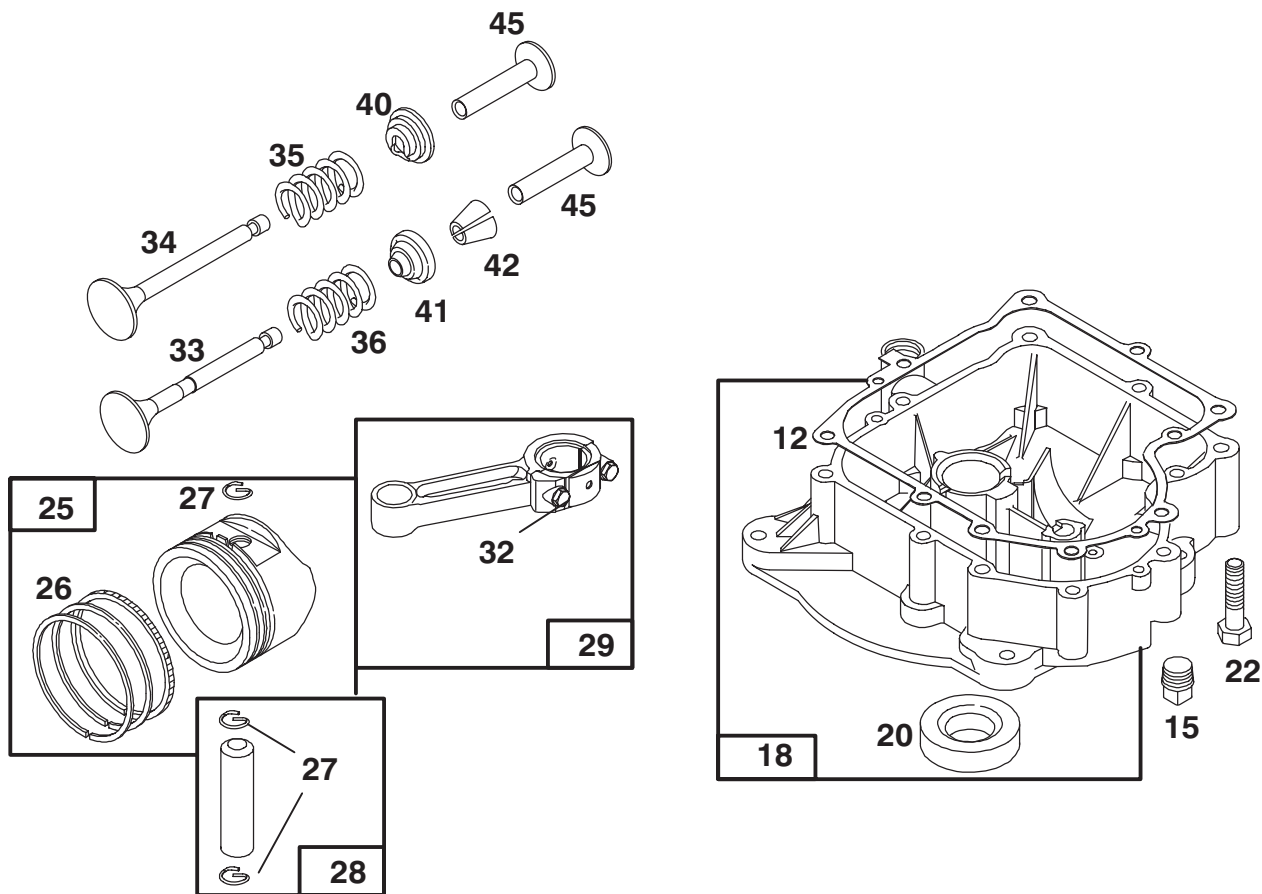
ENGINE BRIGGS & STRATTON MODEL 28M707-0127-01

Ref. No.	Part No.	Description	No. Used
16	495162	Crankshaft	1
	94196	Key-Timing Gear	1
24	222698	Key-Flywheel	1
46	213720	Gear-Cam	1
219	490815	Oil Slinger, Gov. Gear Assy.	1
741	262932	Gear-Timing	1
757	213998	Link-Counterweight	1

Ref. No.	Part No.	Description	No. Used
758	399891	Counterweight Assy.	1
759	298909	Pin-Counterweight	1
761	94593	Screw-Counterweight	1
1020	262243	Eccentric	1
1021	94160	Pin-Eccentric	1
1044	94673	Screw-Shoulder	1
1045	231828	Extension-Crankshaft	1

★ Included in Gasket Set-Part No. 494241.
 ◆ Included in Carburetor Gasket Set-Part No. 494385.

● Included in Carburetor Kit-Part No. 497535.



Assemblies include all parts shown in frames.

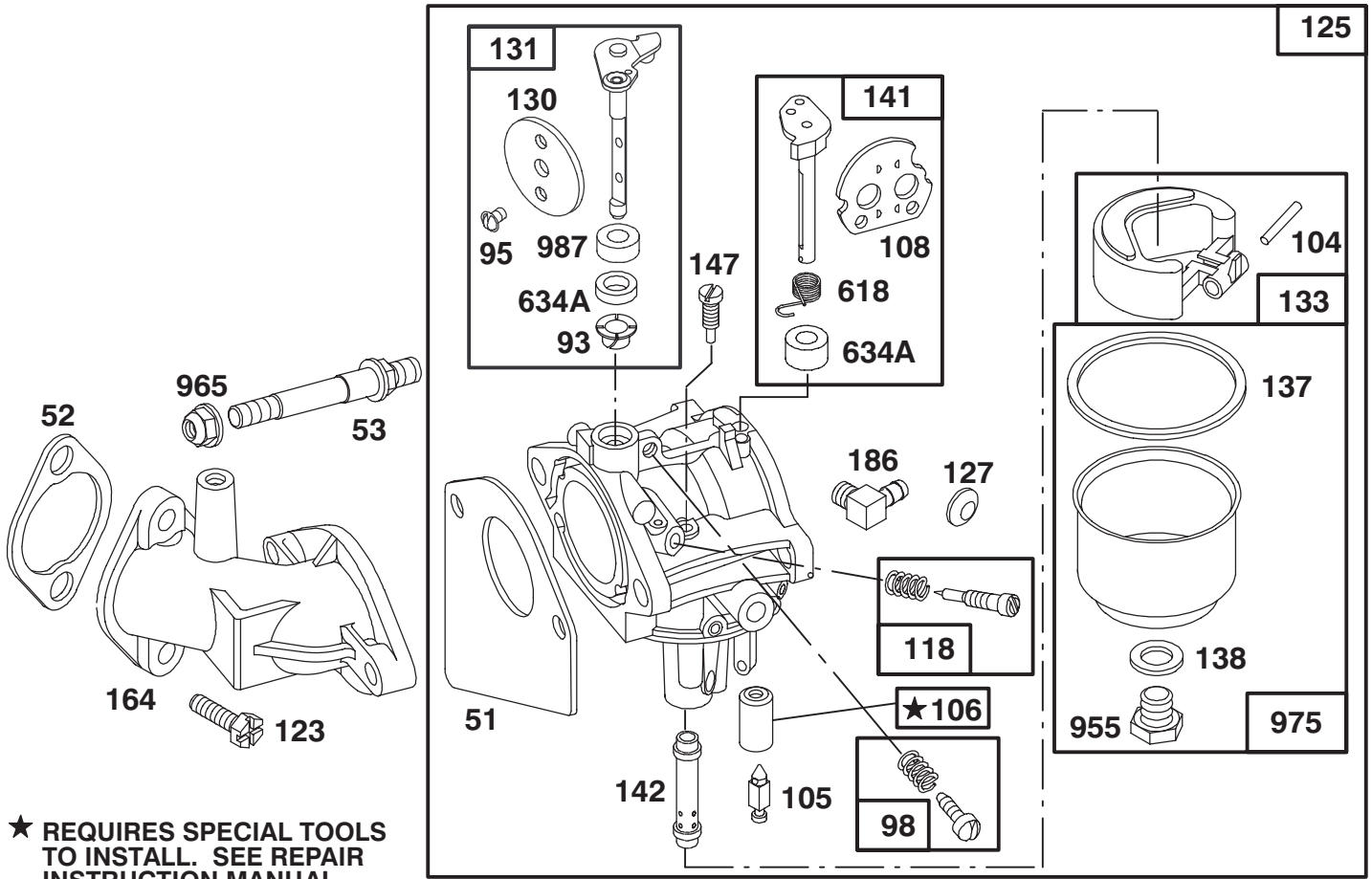
ENGINE BRIGGS & STRATTON MODEL 28M707-0127-01

Ref. No.	Part No.	Description	No. Used
★12	271916	Gasket—Crankcase (.015" Thick)	1
★	271997	Gasket—Crankcase (.005" Thick)	1
★	271996	Gasket—Crankcase (.009" Thick)	1
15	94239	Plug—Oil Drain	1
18	494238	Base—Engine	1
★20	291675	Seal—Oil	1
22	94624	Screw—Base Mtg. Sem	1
25	497518	Piston Assy. (Std.)	1
	497519	Piston Assy. (.010" O.S.)	1
	497520	Piston Assy. (.020" O.S.)	1
	497521	Piston Assy. (.030" O.S.)	1
26	391780	Ring Set—Piston (Std.)	1
	391781	Ring Set—Piston (.010" O.S.)	1
	391782	Ring Set—Piston (.020" O.S.)	1
	391783	Ring Set—Piston (.030" O.S.)	1

Ref. No.	Part No.	Description	No. Used
27	260924	Lock—Piston Pin	1
28	299691	Pin Assy.—Piston (Standard)	1
	391286	Pin Assy.—Piston (.005" O.S.)	1
29	490348	Rod Assembly—Connecting	1
	490469	Rod—Connecting (020" U.S. Crankpin Bore)	1
32	94671	Screw—Connecting Rod	1
33	262246	Valve—Exhaust	1
34	262247	Valve—Intake	1
35	65906	Spring—Intake Valve	1
36	26828	Spring—Exhaust Valve	1
40	221596	Retainer—Intake Valve	1
41	292260	Rotocoil—Exhaust Valve	1
42	93630	Retainer—Ex. Valve Rotocoil	1
45	262248	Tappet—Valve	1

★ Included in Gasket Set—Part No. 494241.
 ◆ Included in Carburetor Gasket Set—Part No. 494385.

● Included in Carburetor Kit—Part No. 497535.



Assemblies include all parts shown in frames.

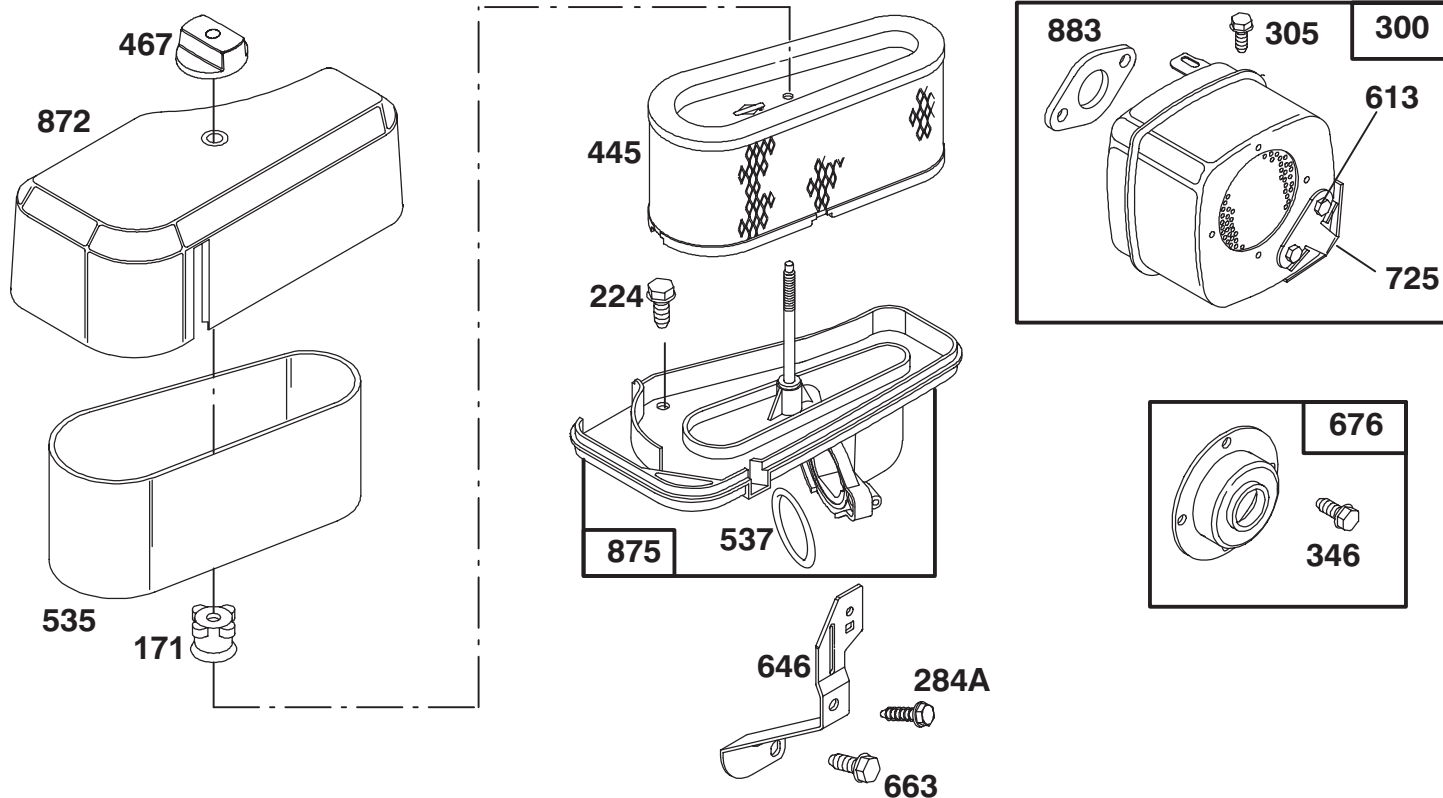
ENGINE BRIGGS & STRATTON MODEL 28M707-0127-01

Ref. No.	Part No.	Description	No. Used
◆51	272465	Gasket—Carburetor (Carb. to Manifold)	1
★52	272554	Gasket—Carburetor (Manifold to Cylinder)	1
53	94637	Stud—Carb. Mtg.	1
●93	281346	Bushing—Throttle Shaft	1
●95	94098	Screw—Throttle	1
98	495800	Screw—Idle Speed	1
●104	231789	Pin—Float Hinge	1
●105	231855	Valve Assy.—Inlet Needle	1
●106	231854	Inlet Valve Seat	1
108	224540	Valve—Choke	1
118	494383	Valve—Needle	1
121	495799	Carburetor Kit	1
123	94616	Screw—Elbow Mtg.	1
125	495706	Carburetor Assembly	1
●127		Plug—Welch (Sold in Kit Only)	1
130	224539	Valve—Throttle	1

Ref. No.	Part No.	Description	No. Used
131	494379	Shaft— Throttle	1
133	494381	Float—Carburetor	1
◆137	281165	Gasket—Float Bowl	1
◆138	281164	Washer—Float Bowl Screw	1
141	495931	Shaft—Choke	1
●142	497566	Nozzle—Carburetor	1
●147	231984	Pilot—Jet	1
164	213819	Manifold—Intake	1
186	493496	Connector—Fuel	1
618	262803	Spring—Choke Return	1
●634A	281168	Seal—Choke Shaft	1
●634B	398970	Washer—Throttle Shaft	1
955	94642	Screw—Fuel Bowl	1
965	94010	Nut—Hex.	1
975	494378	Bowl Assy.—Carburetor	1
977	494385	Carburetor Gasket Kit	1
●987	281166	Seal—Throttle Shaft	1

★ Included in Gasket Set—Part No. 494241.
 ◆ Included in Carburetor Gasket Set—Part No. 494385.

● Included in Carburetor Kit—Part No. 497535.



Assemblies include all parts shown in frames.

ENGINE BRIGGS & STRATTON MODEL 28M707-0127-01

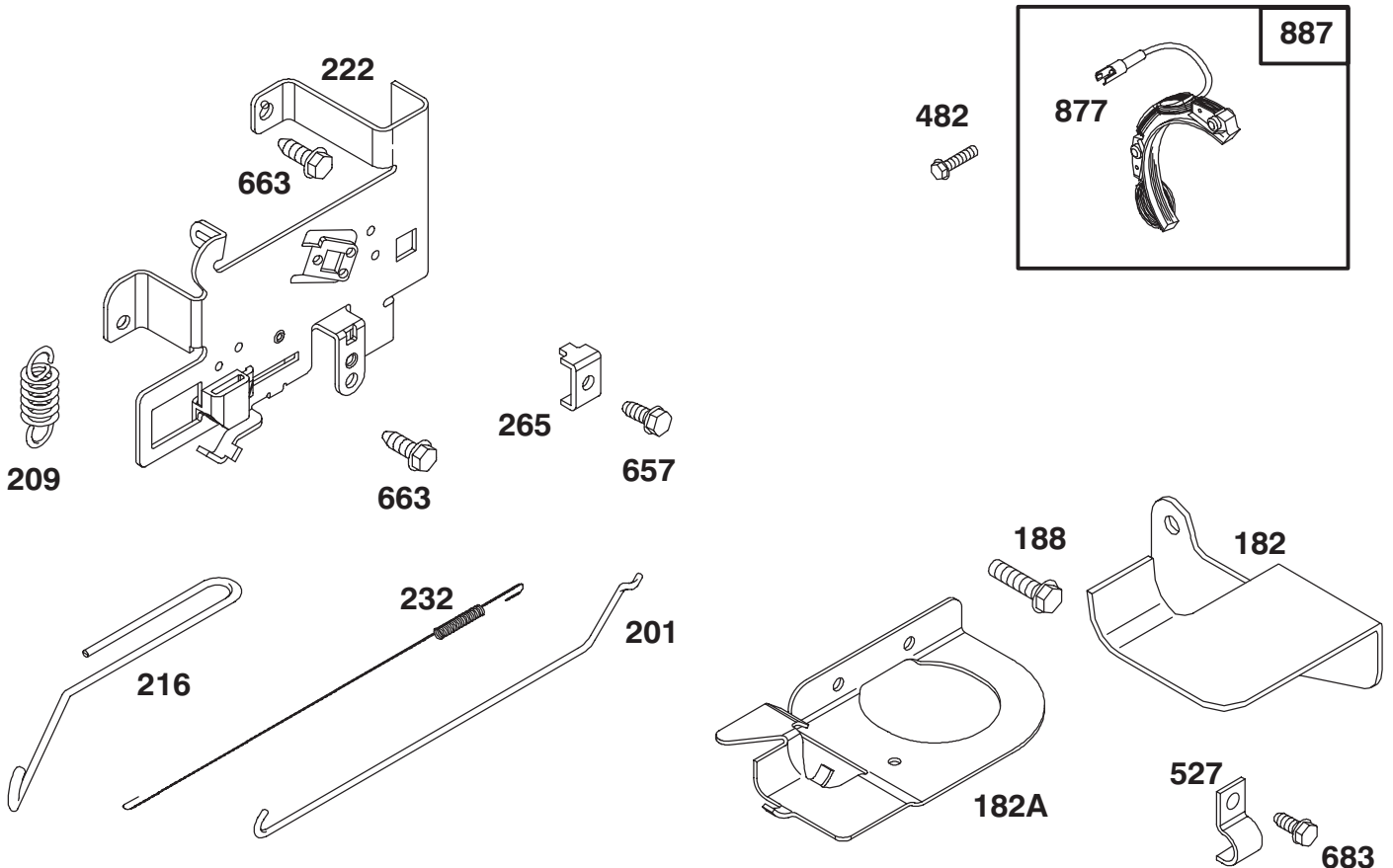
Ref. No.	Part No.	Description	No. Used
171	281051	Nut—Air Cleaner Mtg.	1
224	94729	Screw—Air Cleaner Sem	1
284A	94704	Screw Hex. Head	1
300	491413	Muffler—Exhaust	1
305	94786	Screw—Hex. Head	1
346	93705	Screw—Hex. Head	1
445	496894	Cartridge—Air Cleaner	1
467	493903	Knob—Air Cleaner	1
535	272403	Element—Air Cleaner	1

Ref. No.	Part No.	Description	No. Used
★537	281106	O-Ring—Air Cleaner	1
613	93927	Screw—Hex. Head	1
646	224546	Brace—Air Cleaner	1
663	94620	Screw—Hex. Hd.	1
676	396903	Deflector—Muffler	1
725	223023	Shield—Muffler	1
872	281361	Cover—Air Cleaner	1
875	494237	Body—Air Cleaner	1
★883	272293	Gasket—Exhaust	1

★ Included in Gasket Set—Part No. 494241.

◆ Included in Carburetor Gasket Set—Part No. 494385.

● Included in Carburetor Kit—Part No. 497535.



Assemblies include all parts shown in frames.

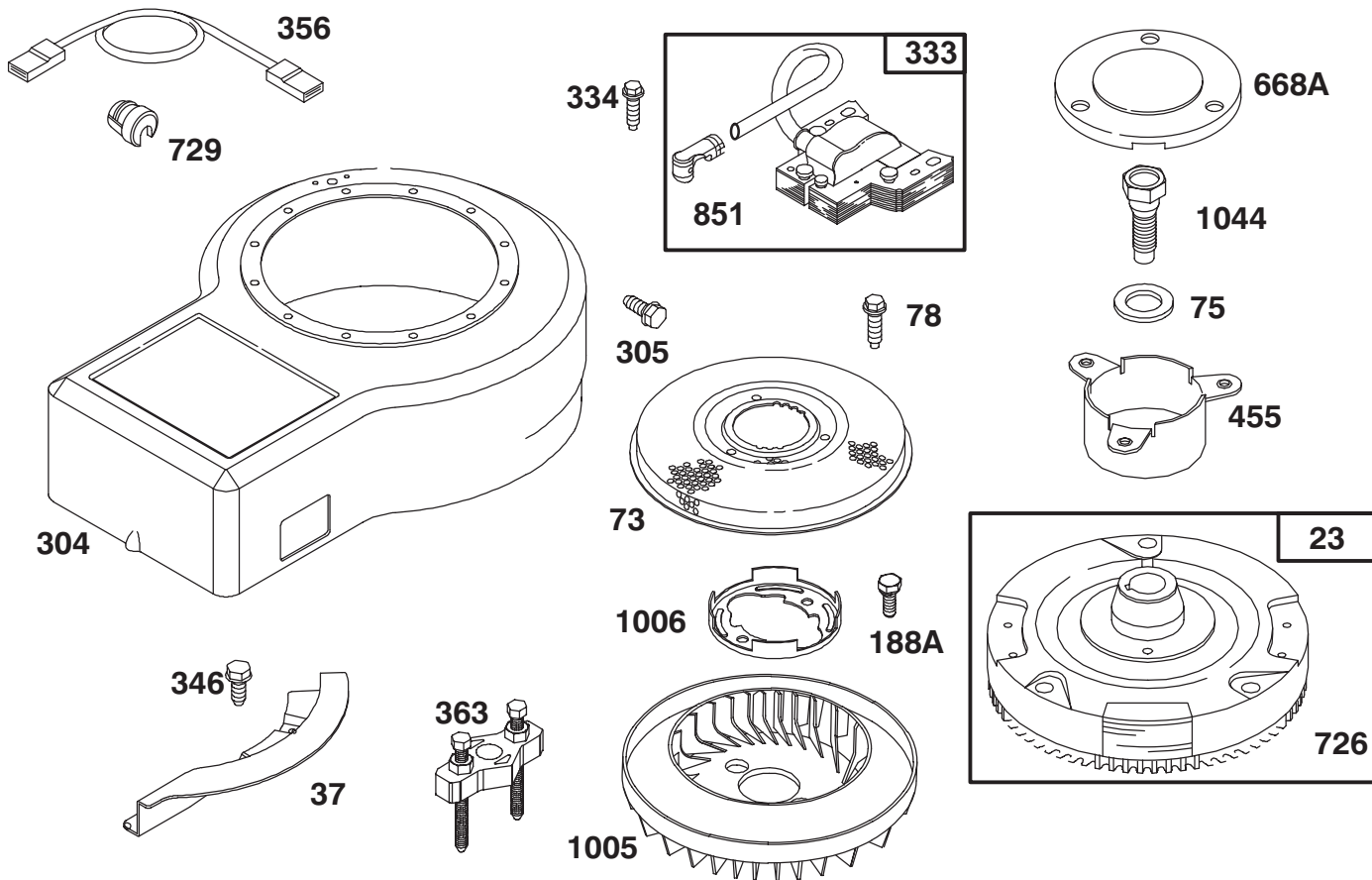
ENGINE BRIGGS & STRATTON MODEL 28M707-0127-01

Ref. No.	Part No.	Description	No. Used
182	223925	Bracket—Fuel Tank	1
182A	223866	Bracket—Fuel Tank	1
188	94480	Screw—Sem	1
201	262767	Link—Governor	1
209	260871	Spring—Governor	1
216	262766	Link—Choke	1
222	495611	Plate—Governor Control	1
232	262785	Spring—Governor Link	1

Ref. No.	Part No.	Description	No. Used
265	221535	Clamp—Casing	1
482	93621	Screw—Sem	1
527	221428	Clamp	1
657	93496	Screw—Sem	1
663	94620	Screw—Hex. Head	1
683	94602	Screw—Hex. Head	1
877	393814	Diode and Connector Assy.	1
887	391529	Alternator	1

★ Included in Gasket Set—Part No. 494241.
 ◆ Included in Carburetor Gasket Set—Part No. 494385.

● Included in Carburetor Kit—Part No. 497535.



Assemblies include all parts shown in frames.

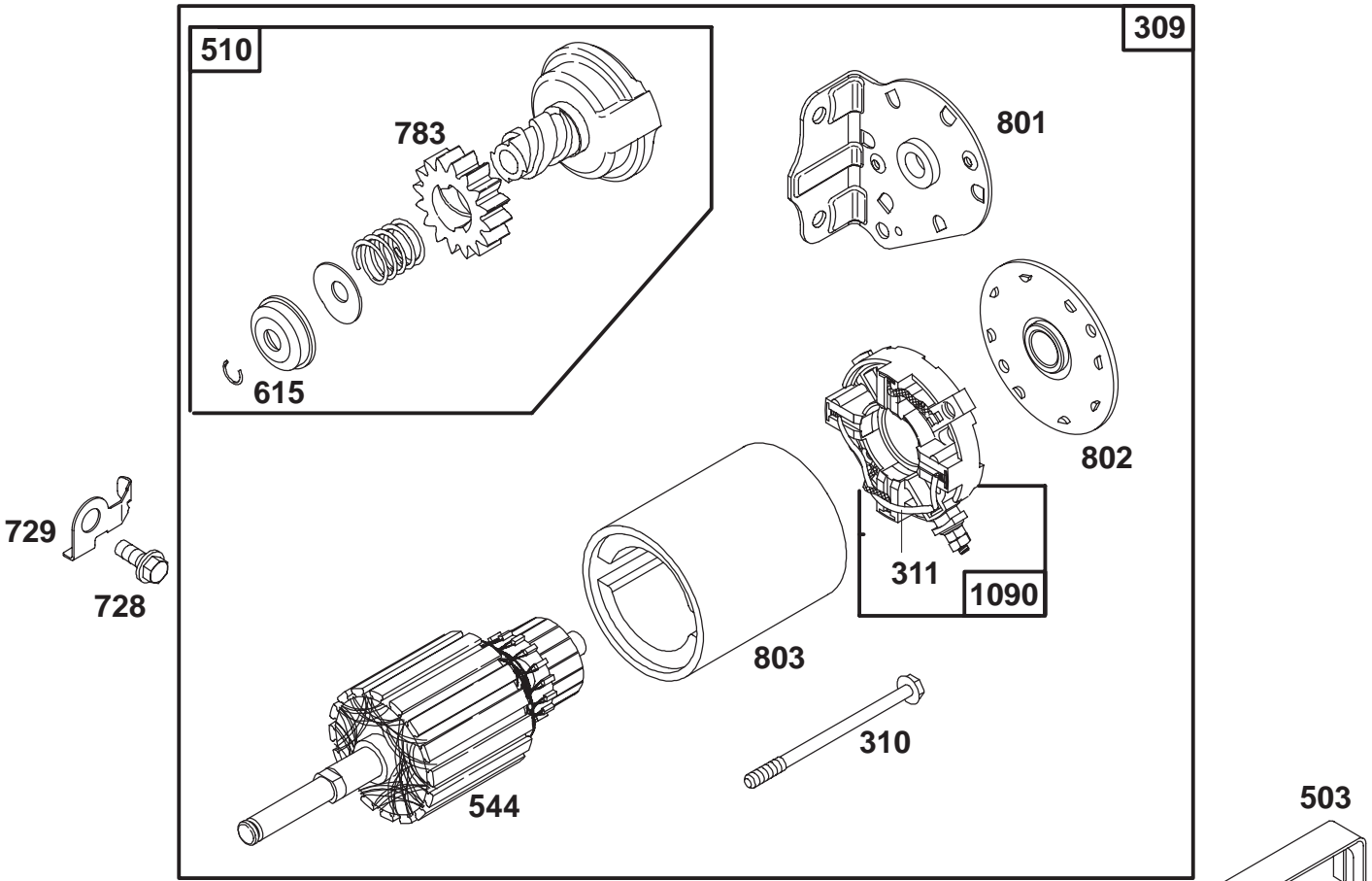
ENGINE BRIGGS & STRATTON MODEL 28M707-0127-01

Ref. No.	Part No.	Description	No. Used
23	492326	Flywheel	1
37	224502	Guard-Flywheel	1
73	224948	Screen-Rotating	1
75	224061	Washer-Spring	1
78	94626	Screw-Sem	1
188A	94627	Screw-Sem	1
304	496431	Housing-Blower	1
305	94786	Screw-Hex.	1
333	492341	Armature-Magneto	1
334	93381	Screw-Hex.	1
346	93705	Screw-Hex. Head	1
356	494328	Wire Assembly	1

Ref. No.	Part No.	Description	No. Used
363	19203	Puller-Flywheel	1
455	222561	Cup-Screen Mounting	1
668A	280848	Spacer	1
726	392134	Gear-Ring (Includes Mtg Hardware)	1
729	281159	Clip-Lead Wire	1
851	493880	Terminal-Ignition Cable	1
1005	281355	Fan-Flywheel	1
1006	224413	Retainer-Fan	1
1044	94673	Screw-Shoulder	1

★ Included in Gasket Set-Part No. 494241.
 ◆ Included in Carburetor Gasket Set-Part No. 494385.

● Included in Carburetor Kit-Part No. 497535.



Assemblies include all parts shown in frames.

ENGINE BRIGGS & STRATTON MODEL 28M707-0127-01

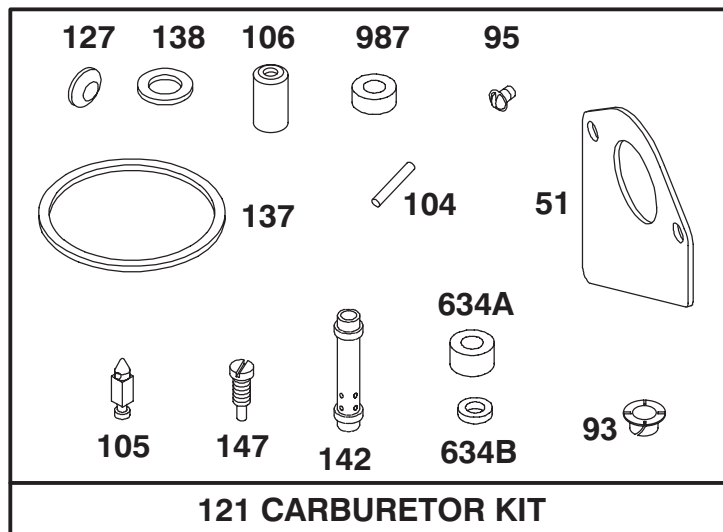
Ref. No.	Part No.	Description	No. Used
309	497595	Motor-Starter	1
310	94003	Bolt-Thru	1
311	497608	Brush Set	1
503	806000	Strap-Starter	1
510	497606	Drive-Starter	1
544	497603	Armature-Starter	1
615	263080	Retainer	1

Ref. No.	Part No.	Description	No. Used
728	94627	Screw-Hex. Head	1
729	225170	Clip-Wire	1
783	280104	Gear-Starter	1
801	394856	Cap-Drive	1
802	497607	Plate-Cover	1
803	497604	Housing-Starter	1
1090	497605	Cap-End	1

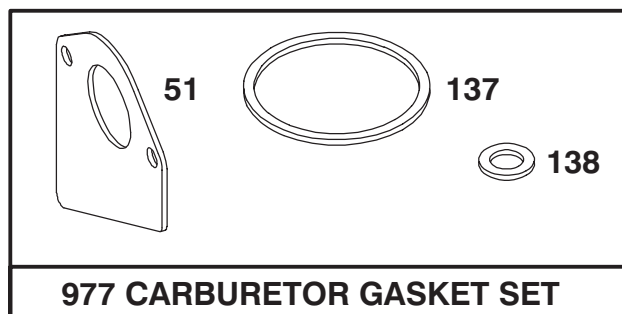
★ Included in Gasket Set-Part No. 494241.

◆ Included in Carburetor Gasket Set-Part No. 494385.

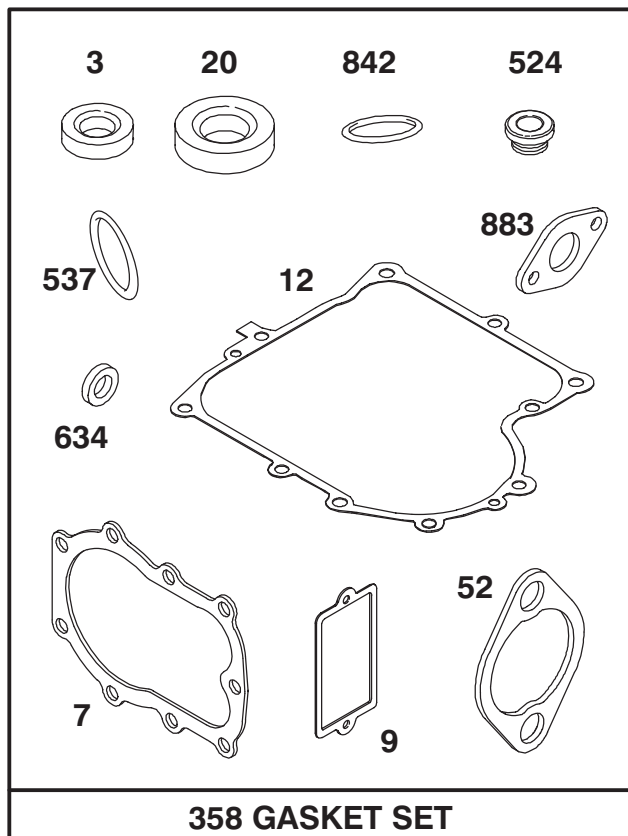
● Included in Carburetor Kit-Part No. 497535.



121 CARBURETOR KIT



977 CARBURETOR GASKET SET



358 GASKET SET

Assemblies include all parts shown in frames.

ENGINE BRIGGS & STRATTON MODEL 28M707-0127-01

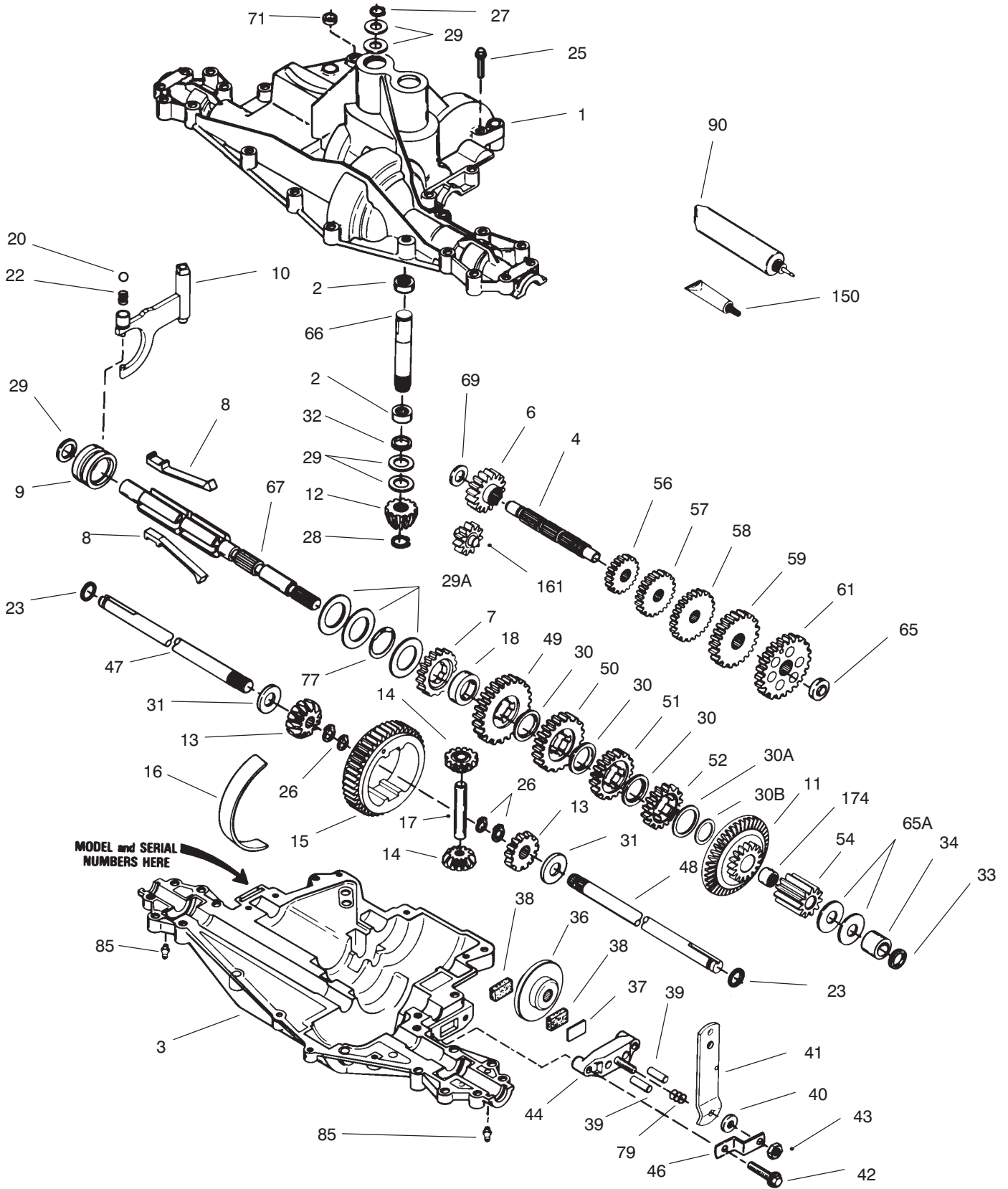
Ref. No.	Part No.	Description	No. Used
★3	391086	Seal—Oil	1
★7	271866	Gasket—Cylinder Head	1
★9	27803	Gasket—Valve Cover	1
★12	271916	Gasket—Crankcase (.015" Thick)	1
★	271997	Gasket—Crankcase (.005" Thick)	1
★	271996	Gasket—Crankcase (.009" Thick)	1
★20	291675	Seal—Oil	1
◆●51	272465	Gasket—Carburetor (Carb. to Manifold)	1
★52	272554	Gasket—Carburetor (Manifold to Cylinder)	1
●93	281346	Bushing—Throttle Shaft	1
●95	94098	Screw—Throttle	1
●104	231789	Pin—Float Hinge	1
●105	231855	Valve Assy.—Inlet Needle	1
●106	231854	Inlet Valve Seat	1

Ref. No.	Part No.	Description	No. Used
121	497535	Carburetor Kit	1
●127		Plug—Welch (Sold in Kit Only)	1
◆●137	281165	Gasket—Float Bowl	1
◆●138	281164	Washer—Float Bowl Screw	1
●142	494566	Nozzle—Carburetor	1
●147	231984	Pilot—Jet	1
358	494241	Gasket Set	1
★524	281370	Seal—Fill Tube	1
★537	281106	O-Ring—Air Cleaner	1
★634	491323	Seal—Governor	1
●634A	281168	Seal—Choke Shaft	1
●634B	398970	Washer—Throttle Shaft	1
★842	270920	Seal—Oil Fill Cap	1
★883	272293	Gasket—Exhaust	1
977	494385	Carburetor Gasket Set	1
●987	281166	Seal—Throttle Shaft	1

★ Included in Gasket Set—Part No. 494241.
◆ Included in Carburetor Gasket Set—Part No. 494385.

● Included in Carburetor Kit—Part No. 497535.

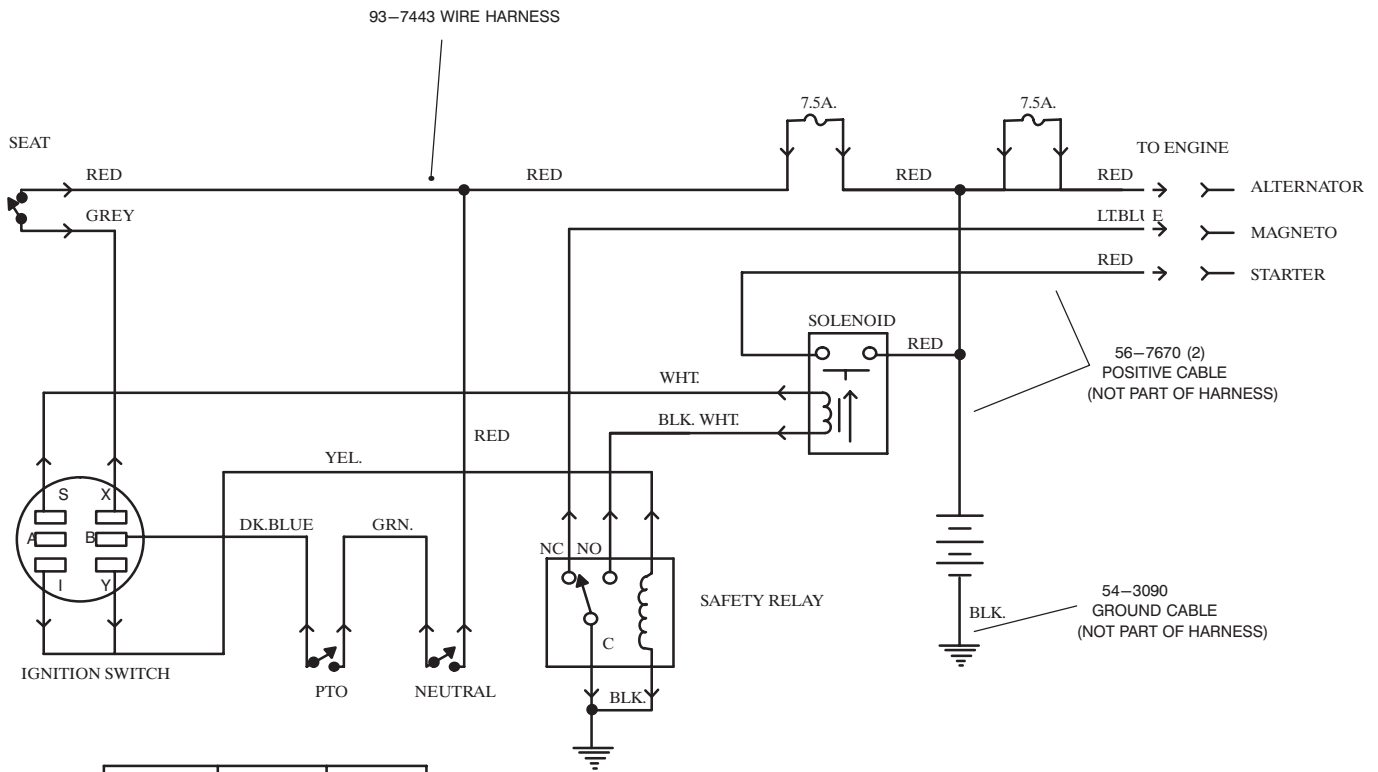
PEERLESS TRANSAXLE MODEL NO. 915-019



PEERLESS TRANSAXLE MODEL NO. 915-019

Ref. No.	Part No.	Description	No. Used	Ref. No.	Part No.	Description	No. Used
1	772117	Transaxle Cover	1	38	790006	Brake Pad	2
2	780086	Needle Bearing	2	39	786026	Dowel Pin	2
3	770114	Transaxle Case	1	40	792076	Washer	1
4	776300	Countershaft	1	41	790045	Brake Lever	1
6	778281	Spur Gear (16 Teeth)	1	42	792073	Screw	2
7	778122A	Spur Gear (22 Teeth)	1	43	792075	Locknut	1
8	792133	Shift Key	4	44	790025	Brake Pad Holder	1
9	784352	Shift Collar	1	46	786086	Brake Lever Bracket	1
10	784365	Shift Rod & Fork	1	47	774930	Axle (16-3/4" lg.)	1
11	778290	Bevel Gear & Bearing (44/16 Teeth) (Incl. Ref. #174)	1	48	774931	Axle (11-9/16" lg.) (Incl. Ref. #26)	1
12	778262	Bevel Pinion (14 Teeth)	1	49	778124A	Spur Gear (30 Teeth)	1
13	778221	Bevel Gear (16 Teeth)	2	50	778123A	Spur Gear (25 Teeth)	1
14	778068	Differential Pinion	2	51	778122A	Spur Gear (22 Teeth)	1
15	778260	Ring Gear	1	52	778273	Spur Gear (19 Teeth)	1
16	786150	Bearing Strip	1	54	778263	Spur Gear (11 Teeth)	1
17	78139	Drive Pin	1	56	778126A	Spur Gear (20 Teeth)	1
18	786147	Neutral Spacer	1	57	778127A	Spur Gear (25 Teeth)	1
20	792139	Ball (3/8" dia.)	1	58	778128A	Spur Gear (28 Teeth)	1
22	792142	Spring	1	59	778129A	Spur Gear (30 Teeth)	1
23	788061	Seal Ring	2	61	778265	Spur Gear (34 Teeth)	1
25	792073	Screw	17	65	780162	Washer	1
26	792125	Retaining Ring (pkg. of 2)	4	65A	780160	Washer	2
27	792035	Retaining Ring	1	66	776299	Input Shaft (3.522" lg.)	1
28	788040	Retaining Ring	1	67	776352	Shifter & Brake Shaft	1
29	780072	Washer	5	69	780161	Thrust Washer	1
29A	780090	Thrust Washer	3	71	788069	Square Cut Ring	1
30	780108	Washer	3	77	788078A	Inverted Retaining Ring (pkg. of 2)	1
30A	789145	Washer	1	79	792144	Spring	1
30B	780178	Washer	1	90	788067B	Grease (32 oz. btl. Bentonite grease)	1
31	780001	Washer	2	150	510334	Gasket Eliminator (Loctite #515)	1
32	792001	O-Ring	1	161	776302	Reverse Idler Assembly	1
33	788076	O-Ring	1	174	780085	Needle Bearing	1
34	780159	Bushing	1				
36	790071	Brake Disk	1				
37	790007	Brake Pad Plate	1				

ELECTRICAL SCHEMATIC



POSITION	CIRCUIT	MAKE
OFF	—	—
RUN	B+I+A	X+Y
START	B+I+S	—

TORO PART NUMBER INDEX

3318-317 REV. A

Part No.	Description	Pg. No.	Ref. No.	Qty.	Part No.	Description	Pg. No.	Ref. No.	Qty.
8830	Clamp	4	17	2	56-7240	Bracket - Retaining, Spring	3	3	1
110513	Bearing	2	2	4	56-7400	Arm - Lever, H.O.C.	5	24	1
114621	Decal - Euro Noise	7	10	1	56-7430	Pin - Support	11	22	2
116397	Relay	6	11	1	56-7470	Bracket - Rack, Steering	2	33	1
147665	Screw - Phillips Hd.	6	1	2	56-7500	Shaft - Steering	2	31	1
147665	Screw - Phillips Head	4	1	2	56-7520	Bushing - Sector	2	22	1
3-6498	Washer - Thrust	2	5	5	56-7530	Bolt - Shoulder	2	20	1
7-0036	Key - Square	10	24	2	56-7570	Rod - Engagement	3	15	1
12-5820	Pulley - Idler	9	35	1	56-7650	Tube - Pivot	3	14	1
12-8819	Loose Parts	1	*	1	56-7670	Cable - Battery, Positive	9	21	1
12-8829	Loose Parts	1	*	1	56-7670	Cable - Positive	6	17	1
12-9020	Retainer - Belt	9	34	1	56-7710	Hold Down - Battery	8	26	1
14-9999	Deck - Cutting, Recycler	12	49	1	56-7720	Post - Battery	8	21	1
19-1470	Bolt - Shoulder	5	20	1	57-4060	Retainer - Front	9	16	1
26-0671	Bolt - Blade	12	39	1	57-4070	Retainer - Rear	9	20	1
27-9080	Bearing - Flange	2	15	4	57-9940	Spring - Brake	10	17	1
28-0380	Spacer - Axle, Front	2	24	1	60-9730	Guide - Belt	12	26	2
28-0540	Bolt - Shoulder	5	8	1	61-9760	Wheel - Deck	12	32	2
28-2480	Washer	10	15	4	61-9780	Cap - Hub	10	14	2
28-2480	Washer	2	43	2	61-9780	Cap - Hub	2	44	2
28-7350	Post - Pivot	12	16	1	62-3760	Screw - Cap Hex. Hd.	9	27	1
28-8070	Lanyard	13	55	1	62-3930	Spring - Extension	5	5	1
28-8080	Boot - Terminal	8	22	1	62-3930	Spring - Extension	3	6	1
28-8130	Pin - Chute, Locking	13	54	1	62-4300	Pad - Battery	8	25	1
38-1420	Switch - Interlock	7	2	1	62-5480	Isolator - Seat	7	11	4
40-6230	Spring - Torsion	12	51	1	62-5490	Support - Fuel Line	9	10	1
46-6290	O-Ring	13	59	1	63-5540	Base - Seat	7	3	1
47-0010	Arm - Suspension, Front	2	13	2	63-5670	Tube - Bumper, Seat Rod	7	7	1
47-0540	Pedal	3	19	2	63-5830	Link - Suspension, Deck	5	16	2
47-0550	Bracket - Brake, Pedal	3	17	1	63-8360	Key	4	6	1
47-0560	Bracket - Clutch, Pedal	3	12	1	65-2920	Pad - Pedal, Foot	3	5	2
47-0570	Spacer - Pedal	3	16	3	65-5670	Bolt - Shoulder	5	21	1
47-0590	Spindle - L.H.	2	*	1	65-5670	Screw - Shoulder	8	34	1
47-0600	Spindle - R.H.	2	4	1	66-6740	Cover - Shaft, Steering	4	2	1
47-0610	Tie Rod - Adjustable	2	34	1	76-1540	Arm - Suspension R.H.	11	16	1
47-0700	Bearing - Flange	2	27	1	76-1550	Arm - Suspension L.H.	11	*	1
47-0760	Support - Axle, Front	2	11	1	76-1560	Spacer	11	13	4
47-0770	Shaft - Pivot, Pedal	3	8	1	80-2310	Bracket - Bell Crank Mount	5	2	1
47-0780	Retainer - Shaft	3	9	1	80-2321	Bracket - H.O.C., Engage	5	15	1
47-0930	Footrest - R.H.	1	22	1	80-2330	Link - Bell Crank	8	35	1
47-0940	Footrest - L.H.	1	16	1	80-2340	Bracket - Pivot, Inner	8	6	1
47-0960	Spring - Compression	12	3	1	80-2350	Pivot - Outer	8	4	1
47-1140	Retainer - Spring, Top	12	2	2	80-2360	Crank - Bell, Deck Engage	5	22	1
47-1180	Bracket - Engagement	12	1	1	80-2370	Shaft W.A. - Pivot	8	5	1
47-1200	Shaft - Adjusting	12	4	1	80-2400	Lever W.A. - Engage	8	2	1
47-1290	Brake - Parking	1	10	1	80-2430	Axle - Front	2	18	1
47-1840	Bracket - Height-of-Cut	5	13	1	80-2450	Rack - Steering	2	19	1
47-1850	Lever - Height-of-Cut	5	6	1	80-2460	Tie Rod - Fixed	2	*	1
47-1910	Solenoid	6	12	1	80-2530	Assembly - Brake	12	50	1
47-2060	Bracket - Brake, Parking	1	19	1	80-2550	Pad - Brake	12	6	1
47-2961	Hose - Fuel Line	9	9	1	80-2560	Plate - Deck, Brake Mtg.	12	47	1
49-3242	Assy. - Wheel, Steering	4	5	1	80-2570	Pin - Clevis	12	5	2
54-3090	Wire Assembly	4	25	1	80-2580	Rod - Adjusting	12	52	1
55-3570	Cap - Fuel	9	14	1	80-2600	Battery - 12 Volt	8	24	1
56-2540	Tube - Vent, Battery	8	37	1	80-2620	Rod - Base, Seat	7	8	1
56-6590	Bolt - Wheel	12	33	2	80-2630	Kicker - 32	12	29	4
56-7030	Body - Spindle	12	44	1	80-4350	Shaft - Spindle	12	41	1
56-7050	Tank - Fuel	9	15	1	80-4370	Shield - Bearing	12	42	1
56-7070	Spring - Torsion, Clutch	3	11	1	80-4390	Spacer - Hardened	12	43	1
56-7080	Spring - Torsion, Brake	3	18	1	80-4430	Blade - Recycler	12	40	1
56-7130	Tower - Front	1	4	1	80-4470	Pulley	12	22	1
56-7140	Tower - Rear	1	8	1	80-4490	Ring - Deck	12	48	4
56-7170	Guide - Shaft, Steering	1	6	1	80-4570	Stiffener - Blade	12	37	1
56-7180	Cover - Front	2	30	1	82-6150	Assy. - Cover, Discharge	12	14	1

*Not Illustrated

TORO PART NUMBER INDEX (Cont.)

Part No.	Description	Pg. No.	Ref. No.	Qty.	Part No.	Description	Pg. No.	Ref. No.	Qty.
83-7010	Brace - Cover, Rear	12	17	1	93-7446	Guard - Muffler	9	38	1
83-7020	Spacer - Bearing	12	25	1	93-7694	Deflector Ass'y	14	9	1
88-3950	Assembly - Seat	7	1	1	93-7696	Kicker - CE	14	6	2
88-4490	Reducer - Throttle	9	*	1	93-9354	Decal - Battery	8	40	1
88-4540	Hinge - Deflector Danger	14	12	1	94-1277	Screw	9	40	1
88-6150	Rod - Deflector Hinge	14	11	1	94-1278	Screw	9	39	3
88-6160	Spring - Torsion	14	10	1	94-3516	Decal - L.H.	5	10	1
88-9730	Rim	10	12	2	95-2747	Fitting - Washout	13	58	1
88-9800	Cover - Gate, Shift	6	24	1	95-7850	Deck Assembly	12	49	1
88-9830	Switch - Ignition	4	10	1	217-80	Rim	2	3	2
88-9930	Switch - Micro, Short	6	4	1	218-461	Nut - Lock	4	7	1
88-9931	Switch - Micro	4	24	1	218-560	Cap - Battery	8	28	6
92-0860	Frame	6	14	1	231-116	Tire	2	42	2
92-0861	Frame - Rear	11	8	1	231-117	Tire	10	10	2
92-0862	Transaxle	10	8	1	232-27	Stem - Valve	10	16	2
92-0864	Standbar	11	5	1	232-27	Valve Stem w/Cap	2	41	2
92-0865	Support - Axle	11	9	2	232-39	Tube - Inner	10	11	2
92-0866	Body W.A. - Seat Support	6	8	1	232-44	Tube - Inner	2	{	2
92-0870	V-Belt - Traction	10	4	1	233-25	Knob	4	13	1
92-0871	Rod - Traction	9	29	1	233-48	Knob	8	1	2
92-0872	Rod - Brake	10	18	1	233-48	Knob	5	19	1
92-0873	Pulley - Engine	9	24	1	237-143	O-Ring	8	27	2
92-0874	Pulley	10	7	1	2411-32	Ball Joint	8	31	1
92-0875	V-Belt	12	24	1	2412-68	Clamp - Wire	7	4	1
92-0876	Guard - Front	2	37	1	2412-98	Clamp - Hose	9	8	2
92-0877	Panel - Seat Base, R.H.	6	21	1	251-297	Bearing	12	21	2
92-0878	Panel L.H. - Base, Seat	5	9	1	257-11	Washer	8	18	1
92-0879	Spring	9	1	1	283-2	Pin - Clevis	2	16	2
92-0880	Arm - Shift, Transaxle	10	23	1	283-2	Pin - Clevis	12	45	2
92-0881	Bracket W.A. - Traction	9	4	1	283-42	Pin - Clevis	11	18	2
92-0883	Plate - Mounting, Idler	9	2	1	283-52	Pin - Clevis	1	20	1
92-0884	Lever W.A. - Shaft	8	10	1	288-10	Cap - Pipe	9	22	1
92-0887	Support - Shift, Lower	8	19	1	289-19	Nipple - Pipe	9	23	1
92-0888	Support - Shift, Upper	8	14	1	302-5	Fitting - Grease	2	1	2
92-0889	Link - Shift	10	1	1	302-5	Fitting - Grease	2	17	2
92-0890	Control - Throttle	4	15	1	302-5	Fitting - Grease	10	25	2
92-0891	Shaft W. A. - Shift	8	16	1	321-4	Screw - Cap Hex. Hd.	12	8	1
92-0894	Spring - Torsion	8	11	1	321-4	Screw - Cap Hex. Hd.	3	10	1
92-0895	Gate - Shift	6	3	1	321-4	Screw - Cap Hex. Hd.	5	11	4
92-0896	Retainer - Spring	8	29	1	321-4	Screw - Cap Hex. Hd.	8	12	2
92-0897	Spacer	11	1	1	321-4	Screw - Cap Hex. Hd.	6	13	2
92-0898	Guide - Belt	11	2	1	321-4	Screw - Cap Hex. Hd.	1	21	2
92-0899	Guide - Belt, Lower	10	21	1	322-5	Screw - Cap Hex. Hd.	3	2	1
92-2493	Spring - Torsion	14	3	1	322-5	Screw - Cap Hex. Hd.	11	6	15
92-7974	Tread - Foot R.H.	1	*	1	322-5	Screw - Cap Hex. Hd.	6	6	2
92-7975	Tread - Foot L.H.	1	15	1	322-5	Screw - Cap Hex. Hd.	3	7	2
92-7982	Decal - Control Panel	5	27	1	322-5	Screw - Cap Hex. Hd.	8	8	4
92-7983	Decal - Deck Engage	4	9	1	322-5	Screw - Cap Hex. Hd.	12	9	6
92-7984	Decal - H.O.C.	4	21	1	322-5	Screw - Cap Hex. Hd.	2	9	8
92-7987	Decal - Recycler	1	3	1	322-5	Screw - Cap Hex. Hd.	5	12	2
92-7988	Decal - Recycler	12	35	1	322-5	Screw - Cap Hex. Hd.	1	14	10
92-7990	Insert - Wheel, Steering	4	4	1	322-5	Screw - Cap Hex. Hd.	4	16	8
92-8757	Decal - Engine	9	37	1	322-6	Screw - Cap Hex. Hd.	12	20	1
92-8916	Bolt - Shoulder	14	8	1	322-7	Screw - Cap Hex. Hd.	9	28	4
93-0231	Screw - Pan Hd.	14	4	4	322-12	Screw - Cap Hex. Hd.	11	10	4
93-3190	Boot - Terminal	6	25	1	322-14	Screw - Cap Hex. Hd.	11	11	2
93-6668	Decal - Battery Charging	8	38	1	322-50	Screw - Cap Hex. Hd.	11	4	1
93-7006	Decal - Instructions	4	23	1	323-9	Screw - Cap Hex. Hd.	9	32	1
93-7007	Decal - Shift Pattern	6	2	1	323-9	Screw - Hex Hd. Cap	11	21	2
93-7008	Decal - Brake, Parking	1	9	1	323-14	Screw - Hex Hd. Cap	11	17	2
93-7009	Decal - Deflector Danger	14	5	1	325-6	Screw - Cap Hex. Hd.	2	8	1
93-7010	Decal - Danger	14	7	1	329-4	Screw - Cap Hex. Hd.	10	3	1
93-7010	Decal - Danger	12	34	1	3218-1	Nut - Jam	6	18	3
93-7276	Decal - Danger	8	39	1	3219-7	Nut - Hex. Hd.	12	23	1

*Not Illustrated

TORO PART NUMBER INDEX (Cont.)

Part No.	Description	Pg. Ref. No. No. Qty.	Part No.	Description	Pg. Ref. No. No. Qty.
3220-2	Nut - Hex. Jam	2 7 1	3296-8	Nut - Lock	2 12 1
3229-1	Bolt - Carriage	13 60 2	3296-8	Nut - Lock	5 23 1
3230-18	Bolt - Carriage	2 32 2	3296-8	Nut - Lock	8 36 1
3253-3	Washer - Lock	10 2 1	3296-8	Nut - Lock	12 46 1
3253-3	Washer - Lock	6 16 2	3296-16	Nut - Lock	13 62 2
3253-3	Washer - Lock	9 18 2	3296-29	Nut - Lock	5 1 7
3253-6	Washer - Lock	9 26 1	3296-29	Nut - Lock	1 2 14
3254-2	Washer - Lock, Int. Tooth	9 5 3	3296-29	Nut - Lock	11 3 17
3254-2	Washer - Lock, Int. Tooth	10 20 1	3296-29	Nut - Lock	3 4 3
3254-5	Washer - Lock, Int. Tooth	4 8 1	3296-29	Nut - Lock	6 5 2
3256-1	Washer - Flat	13 61 2	3296-29	Nut - Lock	9 6 2
3256-14	Washer - Flat	6 9 1	3296-29	Nut - Lock	2 10 8
3256-22	Washer - Flat	8 13 2	3296-29	Nut - Lock	10 19 1
3256-22	Washer - Flat	1 18 2	3296-29	Nut - Lock	12 19 24
3256-22	Washer - Flat	9 30 1	3296-29	Nut - Lock	4 19 4
3256-23	Washer - Flat	11 7 12	3296-29	Nut - Lock	8 32 4
3256-23	Washer - Flat	6 7 2	3296-39	Nut - Lock	9 3 1
3256-23	Washer - Flat	1 13 8	3296-39	Nut - Lock	11 19 2
3256-23	Washer - Flat	5 17 4	3296-39	Nut - Lock	12 31 2
3256-23	Washer - Flat	4 18 7	3296-42	Nut - Lock	14 1 1
3256-23	Washer - Flat	2 23 6	3296-42	Nut - Lock	6 15 2
3256-23	Washer - Flat	12 27 4	3296-42	Nut - Lock	8 15 2
3256-23	Washer - Flat	8 33 2	3296-42	Nut - Lock	1 17 2
3256-24	Washer - Flat	1 11 1	3296-42	Nut - Lock	5 18 1
3256-24	Washer - Flat	11 15 4	3296-47	Nut - Lock	11 12 1
3256-24	Washer - Flat	9 33 1	3296-59	Nut - Lock	11 14 3
3256-25	Washer - Flat	9 25 1	3296-59	Nut - Lock	12 15 1
3256-26	Washer - Flat	5 25 2	32103-2	Nut - Wing	12 18 1
3256-27	Washer - Flat	3 13 3	32103-12	Nut - Wing	8 20 1
3256-35	Washer - Flat	1 1 4	32103-22	Nut - Wing	8 23 2
3256-49	Washer - Flat	13 56 1	32104-76	Screw - Self Tap Acorn Hd.	1 5 9
3256-57	Washer - Flat	9 36 1	32104-76	Screw - Self-Tapping	4 14 2
3256-58	Washer - Fender	14 2 1	32107-11	Nut - Square	9 17 2
3257-23	Key	10 6 1	32120-47	Ring - Retaining	8 7 1
3272-6	Pin - Cotter	3 1 3	32120-64	Ring - Retaining	10 5 1
3272-6	Pin - Cotter	5 4 2	32121-9	Pin - Roll	2 28 1
3272-6	Pin - Cotter	1 12 1	32121-16	Pin - Roll	8 17 1
3272-6	Pin - Cotter	2 14 2	32121-25	Pin - Roll	8 3 1
3272-6	Pin - Cotter	10 22 1	32121-78	Pin - Roll	4 3 1
3272-6	Pin - Cotter	9 31 1	32121-78	Pin - Roll	8 9 1
3272-6	Pin - Cotter	12 36 2	32122-14	Screw - Truss, Phillips Hd.	12 38 8
3272-12	Pin - Cotter	2 45 2	32128-20	Nut - Flange Hd.	7 5 4
3272-16	Pin - Cotter	10 9 1	32128-21	Nut - Lock, Flange Hd.	2 25 1
3274-51	Screw - Hex. Socket Hd.	9 19 2	32128-23	Nut - Lock, Flange Hd.	2 26 1
3290-134	Screw - Machine	6 10 1	32144-4	Screw - Special	2 21 2
3290-191	Nut - Speed	6 23 2	32144-14	Screw	9 12 2
3290-282	Rivet	12 7 2	32144-14	Screw - Thread Forming	2 38 2
3290-282	Rivet	13 53 2	32144-112	Screw - Sems	6 22 2
3290-307	Pin - Cotter, Hair	7 9 1	32151-48	Ring - Retaining	10 13 2
3290-354	Nut - Double	6 20 1	32151-48	Ring - Retaining, External	2 35 2
3290-354	Nut - Double	4 22 1	32151-61	Ring - Retaining	5 14 2
3290-378	Tie - Cable	7 6 1			
3290-378	Tie - Cable	4 26 1			
3290-413	Washer - Belleville	5 7 8			
3290-465	Washer - Belleville	13 57 1			
3290-496	Nut - Retainer	12 28 4			
3296-2	Nut - Lock	6 19 1			
3296-4	Nut - Lock	8 30 1			
3296-4	Nut - Lock	2 36 4			

OPTIONAL EQUIPMENT

Easy Empty Bagging Kit Model No. 79095

Twin Bag Bagger Kit Model No. 79085

Tire Chains Part No. 23-2340

Wet Grass Bagging Kit Part No. 38-5730

