



H132 Rear-Engine Riding Mower

Model No. 70186 - 260732867 and up.

Parts Catalog

Ordering Replacement Parts

To order replacement parts, please supply the part number, the quantity, and the description of each part desired.

Understanding Reference Numbers

Each identified part in an illustration has a reference number. The reference number for a part also appears in the parts list, along with other information about the part.

This catalog uses two special reference number formats, one to indicate parts in a service assembly and another to indicate the quantity of a given part in an illustration.

Service Assembly Reference Numbers

Parts in service assemblies have reference numbers in the form a:b. The a represents the reference number of the entire service assembly and the b represents a sequential number unique to each part within the service assembly.

For example, a wheel assembly might be identified by reference number 6, the tire by 6:1, the valve by 6:2, and the wheel by 6:3. When you order the assembly identified by reference number 6, you receive all parts identified by reference numbers 6:1, 6:2, and 6:3. However, you may also order any part individually. Reference numbers of this type appear in illustrations and in part lists.

Reference Numbers Indicating Quantity

In an illustration, if a reference number indicates more than one part, the reference number has the form nX y. The n represents the quantity of the part, the X is the multiplication symbol, and the y represents the reference number.

For example, in an illustration, the reference number 2X 37 means that two of the parts identified by reference number 37 are indicated.

Contents

Description	Page	Description	Page
Body and Decal Assembly 3	Oil Filter, Tube and Pump Assembly Briggs and Stratton 31G777-0121-E1 15
Seat and Rear Bag Assembly 4	Crankcase Assembly Briggs and Stratton 31G777-0121-E1 16
Front Axle and Steering Assembly 5	Carburetor Assembly Briggs and Stratton 31G777-0121-E1 17
Deck and Spindle Assembly 6	Governor Assembly Briggs and Stratton 31G777-0121-E1 18
Deck Suspension Assembly 8	Blower Housing Assembly Briggs and Stratton 31G777-0121-E1 19
Hydro Transaxle Assembly 9	Starter Assembly Briggs and Stratton 31G777-0121-E1 20
Engine and Fuel Tank Assembly 10	Gasket Assembly Briggs and Stratton 31G777-0121-E1 21
Electrical Assembly 11	Carburetor Overhaul Kit Assembly Briggs and Stratton 31G777-0121-E1 22
Cylinder Assembly Briggs and Stratton 31G777-0121-E1 12		
Cylinder Head Assembly Briggs and Stratton 31G777-0121-E1 13		
Crankshaft Assembly Briggs and Stratton 31G777-0121-E1 14		

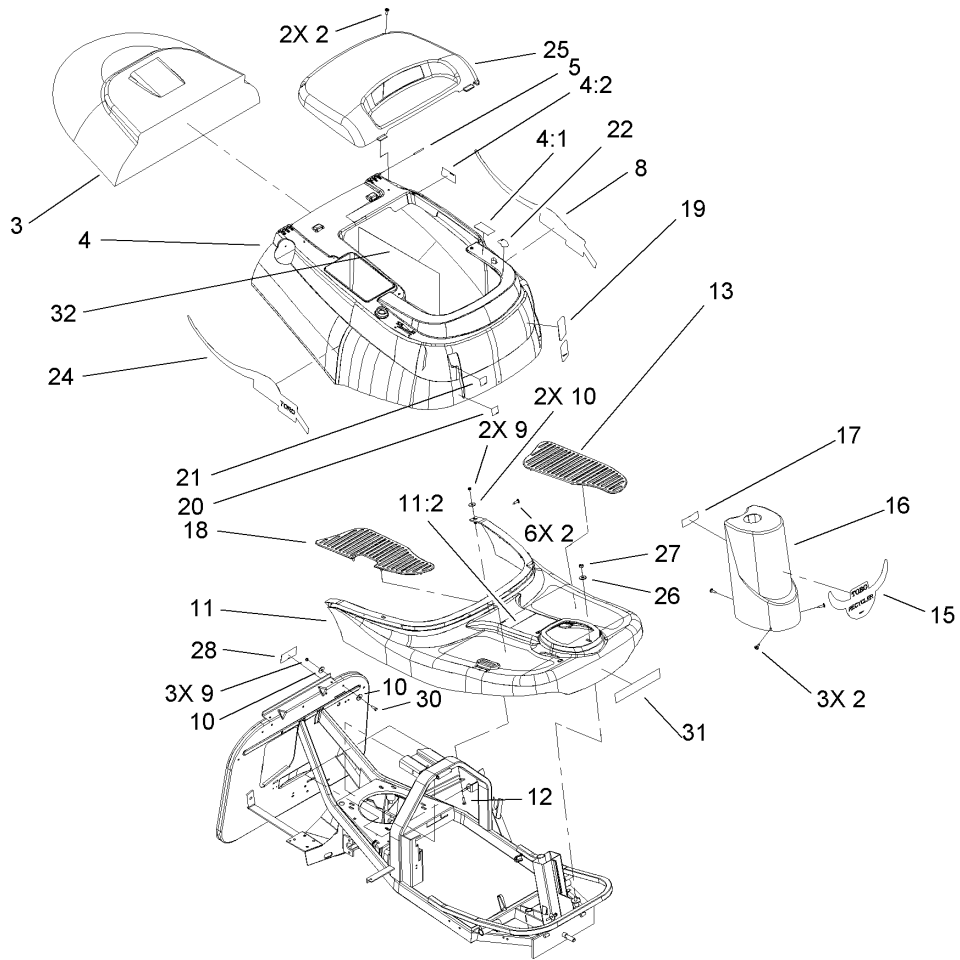
Part Description Abbreviations

Part descriptions in this catalog may include the following abbreviations.

AR. as required	HYD. hydraulic
ASM. assembly	LH. left hand
BBC. blade brake clutch	NI. nylon insert
CARR. carriage	NPTF. national pipe thread fine
DEG. degrees	PFH. phillips flat head
EXT. external	PPH. phillips pan head
FH. flat head	PPHTF. phillips pan head thread forming
GA. gauge	PRH. phillips round head
HD. heavy-duty	PTH. phillips truss head
HF. hex flange	PTO. power-take-off
HH. hex head	RH. right hand
HHF. hex head flange	ROPS. roll-over protection system
HHFTF. hex head flange thread forming	SFH. slotted fillister head
HJ. hex jam	SHH. slotted hex head
HLH. hex lag head	SHWH. slotted hex washer head
HOC. height-of-cut	SPH. slotted pan head
HSBH. hex socket button head	SQH. square head
HSFH. hex socket flat head	SRH. slotted round head
HSH. hex socket head	STD. standard
HWH. hex washer head	TAP. self tapping
HWHTF. hex washer head thread forming	TTH. torx truss head

Footnotes

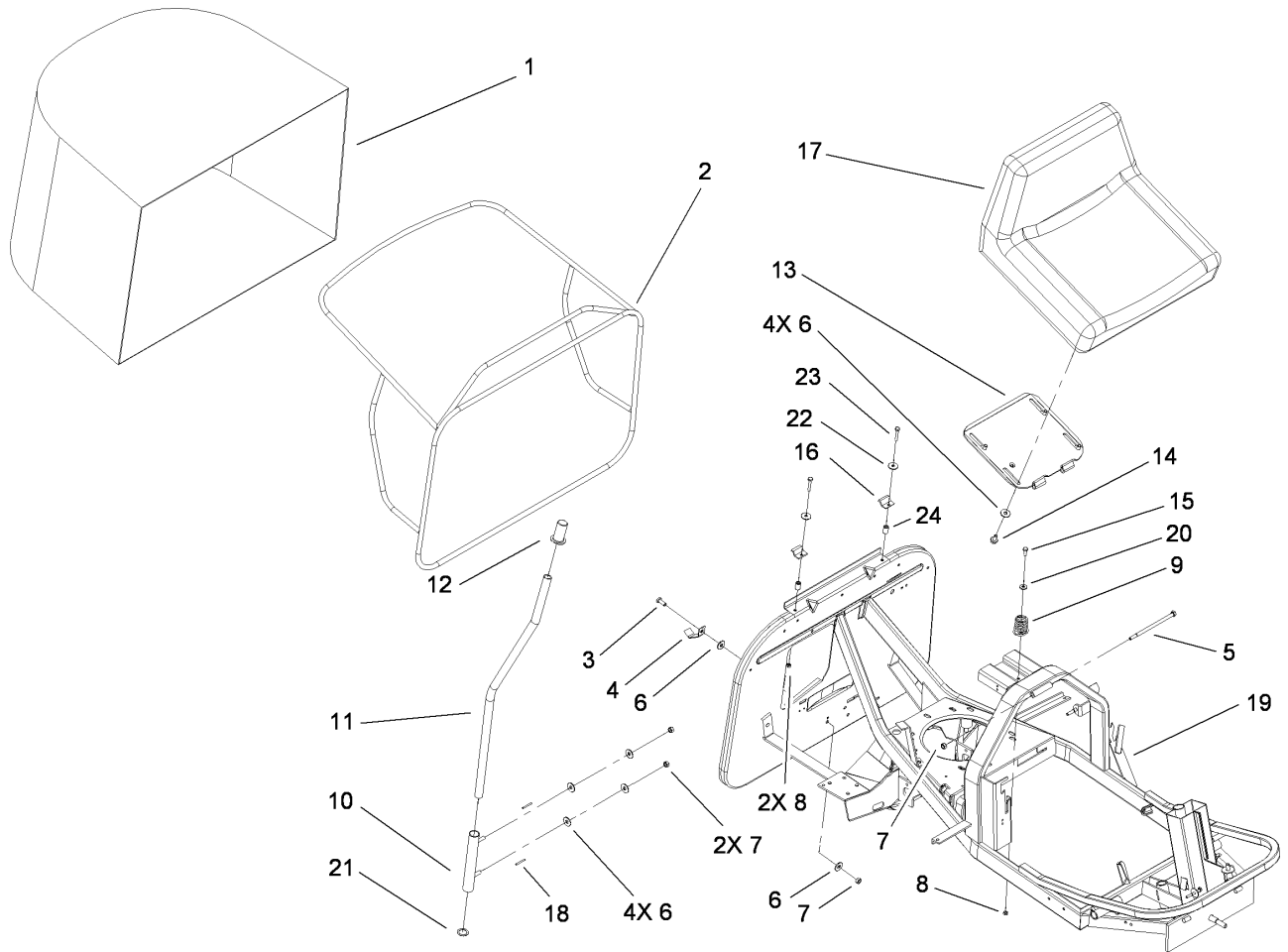
- | | |
|---|---|
| ❶ Not illustrated | ❷ Not serviced separately |
| ❸ Included in Engine Gasket Set-Ref. 358. | ❹ Included in Valve Gasket Set-Ref. 1095. |
| ❺ Included in Carburetor Overhaul Kit-Ref. 121. | ❻ Included in Carburetor Gasket Set-Ref. 977. |
| ❼ Obtain from your local Briggs & Stratton dealer | |



Body and Decal Assembly

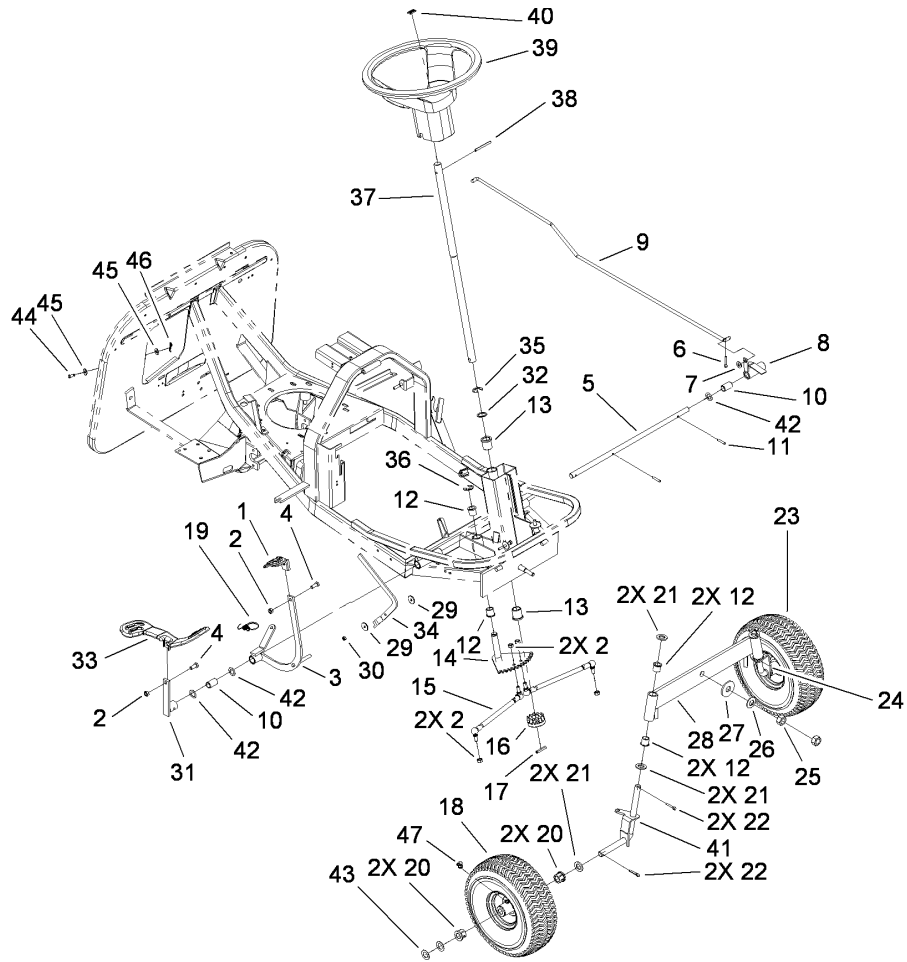
Ref	Part No.	Qty.	Description
2	106-2851	13	Screw-HH, TAP
3	106-1810	1	Cover-Grass Bag
4	106-2885	1	Shroud And Decal ASM
④4:1		1	Decal-Danger
④4:2		1	Decal-Warning, Hot
5	106-2870	2	Pin-Dowel
8	107-8980	1	Decal-Intl Rer
9	49-7810	5	Nut-Lock
10	106-2853	4	Washer-Flat
11	106-2901	2	Foot Rest And Decal ASM
②11:2		1	Decal-Caution
12	33113-020	2	Screw-HH
13	106-2973	1	Floormat-LH
15	106-6517	1	Decal-Front
16	106-2906	1	Steering-Turret
②17		1	Decal-Run Lights
18	106-2972	1	Floormat-RH
②19		1	Decal-HOC
②20		1	Decal-PTO, Disengage
②21		1	Decal-PTO, Engage
②22		1	Decal-Switch
24	107-8981	1	Decal-Intl Rer
25	106-2860	1	Cover-Engine
26	106-2854	1	Washer-Flat

Ref	Part No.	Qty.	Description
27	46-0330	1	Nut-Lock
②28		1	Decal-Disengagement
30	33113-016	2	Screw-HH
31	106-6525	1	Decal
32	107-2228	1	Insulation
①99	106-2887	1	Decal Kit



Seat and Rear Bag Assembly

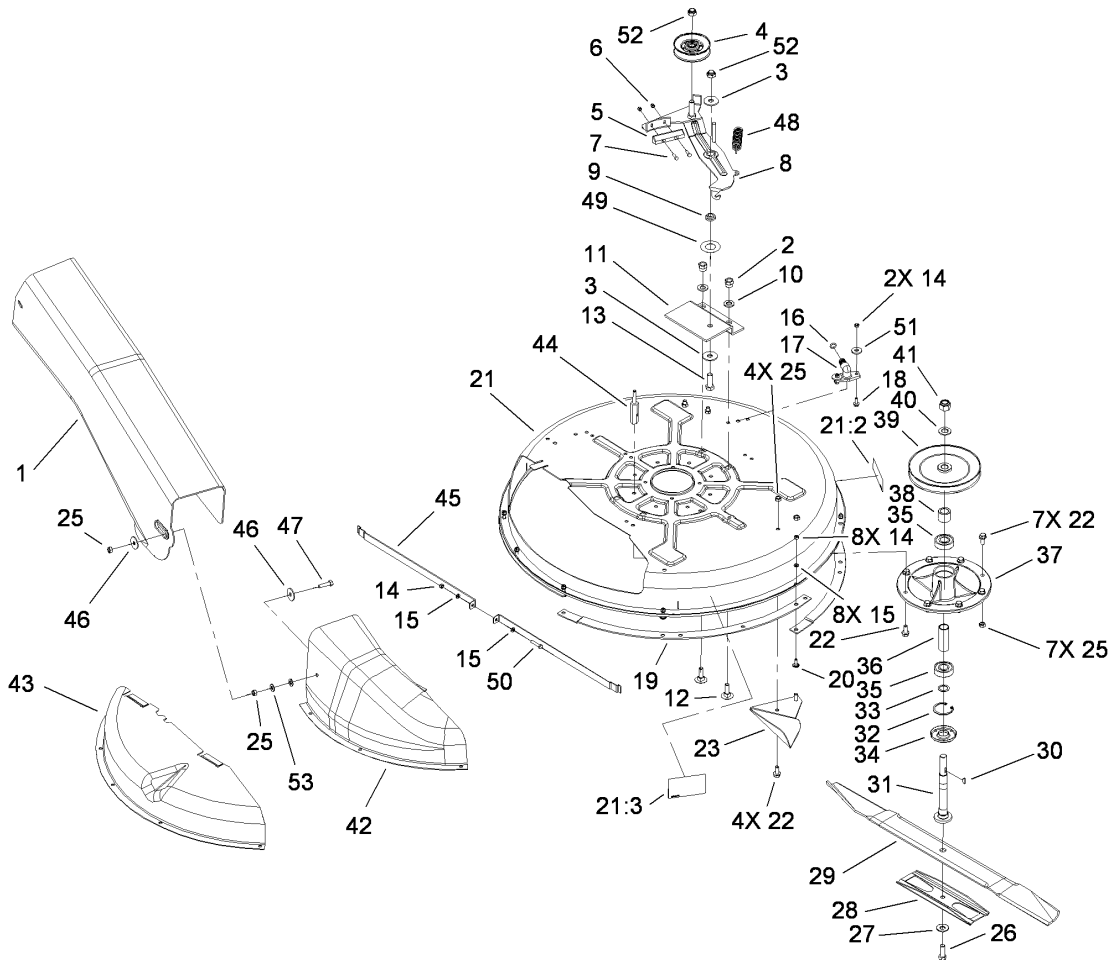
Ref	Part No.	Qty.	Description
1	106-2867	1	Bag-Grass
2	114-3210	1	Frame-Collector
3	33114-020	1	Screw-HH
4	106-2969	1	Hook-Bag
5	106-1844	1	Screw-HH
6	106-2854	10	Washer-Flat
7	46-0330	4	Nut-Lock
8	49-7810	3	Nut-Lock
9	106-2945	1	Spring-Compression
10	106-2927	1	Support
11	106-2928	1	Lever
12	106-2903	1	Knob
13	106-2944	1	Plate-Seat
14	33104-016	4	Screw-HHF
15	33113-016	1	Screw-HH
16	106-2929	2	Clip
17	106-2857	1	Seat
18	106-2871	2	Pin-Spring
19	114-3187	1	Frame-Complete
20	106-2865	1	Washer-Flat
21	106-1807	1	Spacer
22	106-2853	2	Washer-Flat
23	33113-035	2	Screw-HH
24	114-3212	2	Spacer-Collector



Front Axle and Steering Assembly

Ref	Part No.	Qty.	Description
1	106-2957	1	Pedal-Brake
2	46-0330	6	Nut-Lock
3	114-3208	1	Lever-Brake
4	33114-020	2	Screw-HH
5	106-2959	1	Shaft
6	3272-21	2	Pin-Cotter
7	33094-00	2	Washer-Plain
8	114-3193	1	Bushing-Linkage
9	114-3194	1	Rod-Linkage
10	106-2962	2	Bushing
11	106-2874	3	Pin-Dowel
12	106-1811	6	Bushing
13	106-2873	2	Bushing
14	106-2868	1	Rack-Steering
15	106-2933	2	Rod-Tie
16	106-2878	1	Gear-Steering
17	106-1845	1	Pin-Spiral
18	106-2951	2	Wheel
19	107-2236	1	Spring-Return, Brake
20	106-6508	4	Bushing
21	33098-00	6	Washer-Flat
22	3272-21	4	Pin-Cotter
23	106-2907	2	Tire
24	106-2953	1	Axle-Wheel, LH

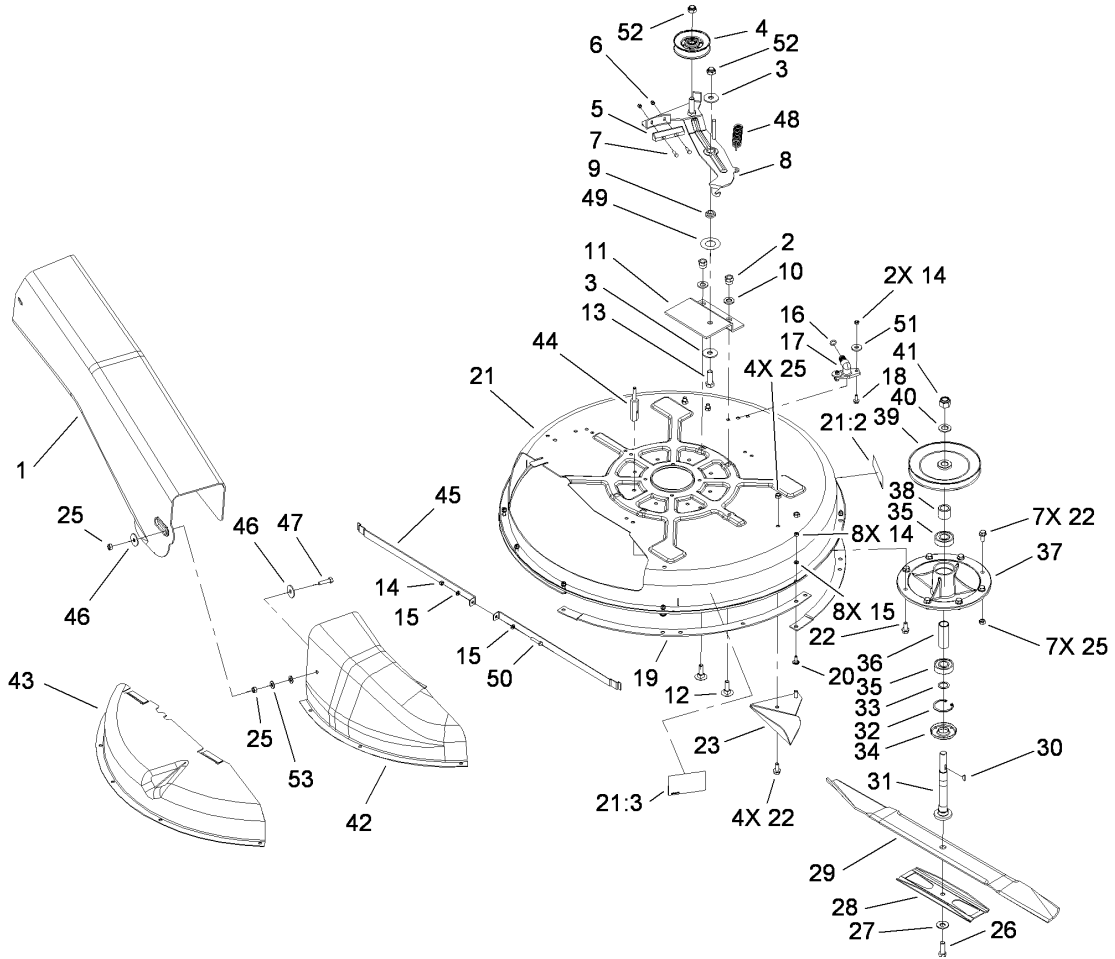
Ref	Part No.	Qty.	Description
25	33018-00	2	Nut-Hex
26	106-2926	1	Washer-Bell
27	106-2925	1	Washer-Flat
28	106-2864	1	Axle-Front
29	106-2853	2	Washer-Flat
30	49-7810	1	Nut-Lock
31	106-2923	1	Lever-Foot Pedal
32	106-1807	1	Spacer
33	106-2964	1	Pedal
34	106-2961	1	Lever
35	106-2909	1	Ring-Retaining, EXT
36	106-2908	1	Ring-Retaining, EXT
37	106-2872	1	Shaft-Steering
38	106-1846	1	Pin-Roll
39	106-2883	1	Wheel-Steering
40	98-1459	1	Decal
41	106-2952	1	Axle-Wheel, RH
42	106-1835	3	Spacer
43	106-6544	4	Washer
44	106-6543	1	Pin-Grooved
45	106-2865	2	Washer-Flat
46	106-2879	1	Pin-Hair
47	106-6546	2	Zerk-Grease, 90 DEG



Deck and Spindle Assembly

Ref	Part No.	Qty.	Description
1	106-2970	1	Tube-Discharge
2	46-0090	2	Nut-Lock
3	106-2922	2	Washer-Flat
4	106-1813	1	Pulley-Idler
5	106-1814	1	Brake-Rubber
6	46-0410	2	Nut-Lock
7	60-6910	2	Screw
8	114-3209	1	Brake-Assembly
9	106-2892	1	Bushing
10	33096-00	2	Washer-Flat
11	106-2884	1	Bracket-Deck
12	33126-035	2	Screw-CARR
13	33116-035	1	Screw-HH
14	49-7810	11	Nut-Lock
15	33093-00	10	Washer-Flat
16	106-1847	1	O-Ring
17	95-2747	1	Fitting-Washout
18	33103-016	2	Screw-HHF
19	80-4490	4	Ring-Deck
20	106-6510	8	Screw-Sh
21	106-6545	1	Deck ASM
21:2		1	Decal-Caution
21:3		1	Decal-Discharge Cover
22	33104-020	12	Screw-HHF

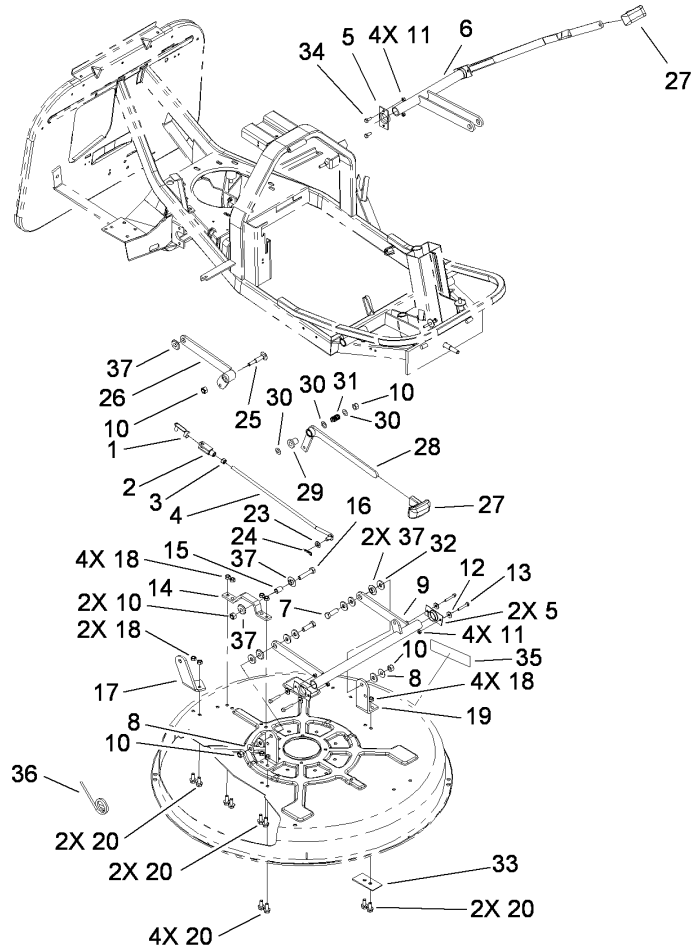
Ref	Part No.	Qty.	Description
23	80-2630	2	Kicker
25	46-0330	13	Nut-Lock
26	3212-5	1	Screw-HH
27	106-2858	1	Washer-Bell
28	80-4570	1	Stiffener
29	106-6547	1	Blade-Recycler
30	106-1805	1	Key
31	106-2902	1	Shaft-Spindle
32	106-2910	1	Ring-Snap
33	106-1807	1	Spacer
34	80-4370	1	Shield-Bearing
35	251-297	2	Bearing-Ball
36	106-2888	1	Spacer
37	56-7030	1	Spindle
38	106-1842	1	Spacer
39	106-1812	1	Pulley
40	33098-00	1	Washer-Flat
41	106-2914	1	Nut-Hex
42	106-2898	1	Tunnel-Discharge
43	106-2899	1	Cover-Recycler
44	106-2897	1	Guide-Belt
45	106-6542	2	Strap-Deck
46	106-2855	2	Washer-Flat
47	33114-030	1	Screw-HH



Deck and Spindle Assembly (continued)

Ref	Part No.	Qty.	Description
48	106-1838	1	Spring-Extension
49	106-2893	1	Spacer
50	33113-030	1	Screw-HH
51	106-2865	2	Washer-Flat
52	106-6513	2	Nut-Lock
53	33094-00	2	Washer-Plain

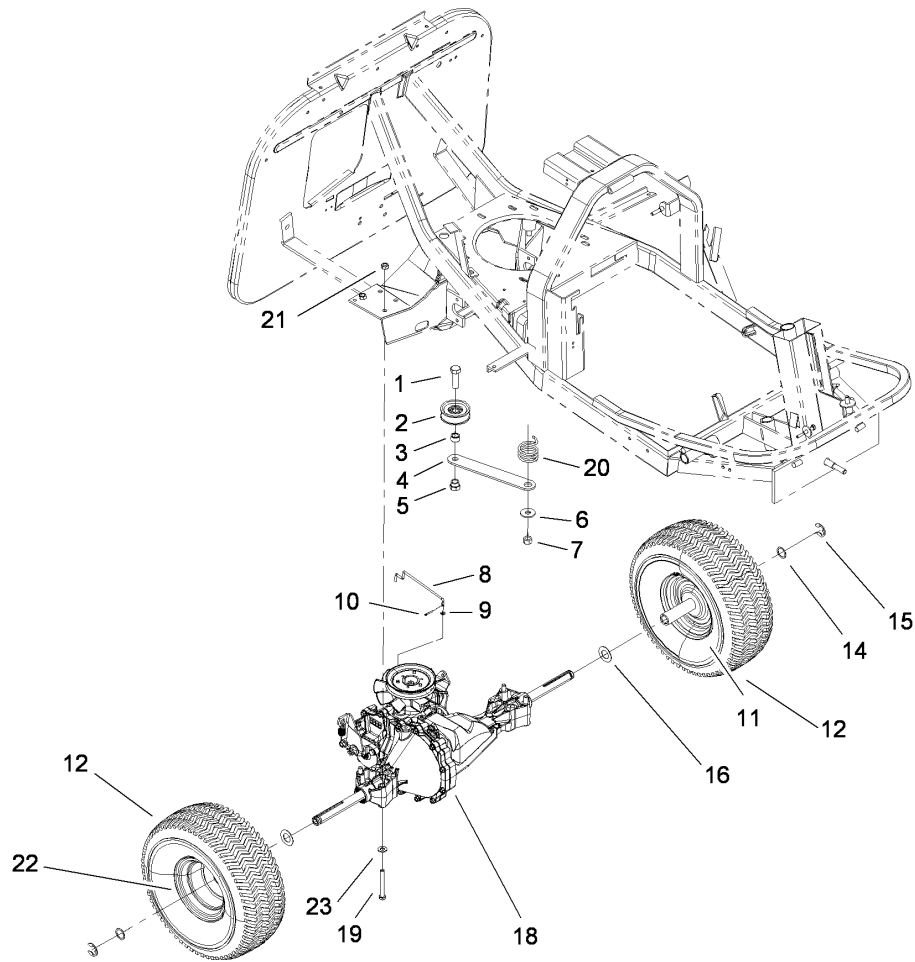
--	--	--	--



Deck Suspension Assembly

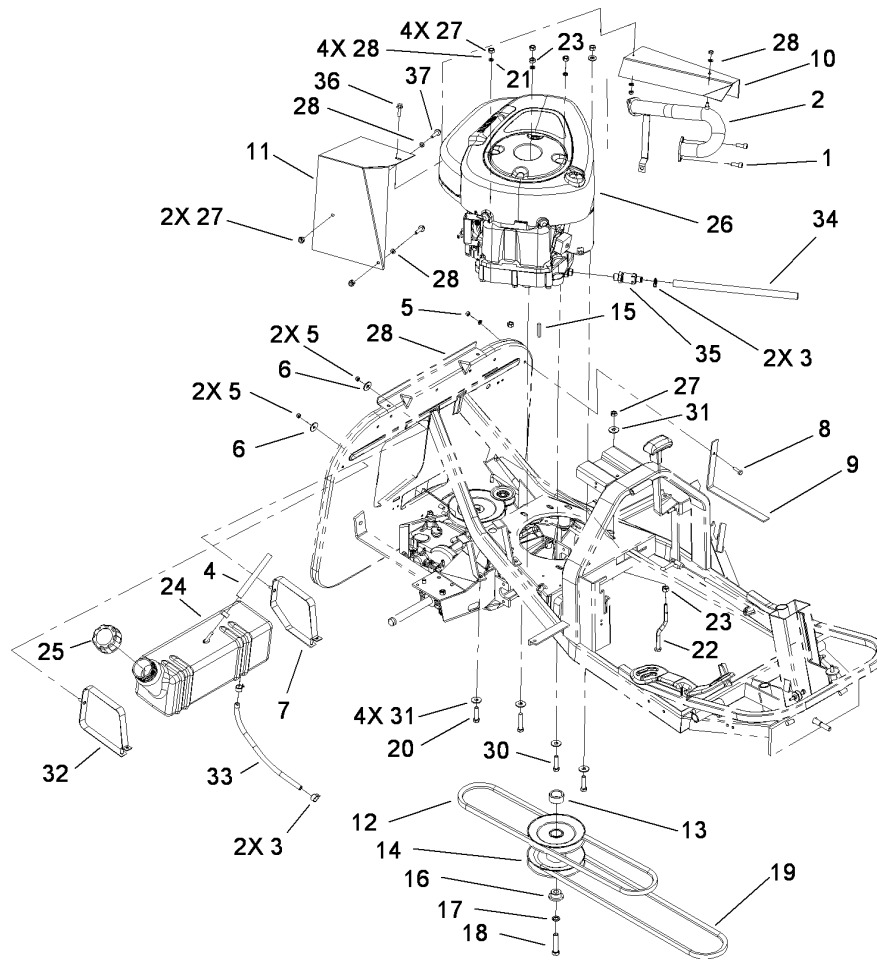
Ref	Part No.	Qty.	Description
1	106-1809	1	Retainer-Yoke
2	106-1803	1	Yoke
3	33014-00	1	Nut-Hex
4	106-2937	1	Rod-Tie
5	106-2880	3	Bracket-Support
6	114-3199	1	Lift Lever ASM
7	33115-035	2	Screw-HH
8	106-6511	2	Washer-Flat
9	114-3197	1	Deck Hanger ASM
10	33025-00	6	Nut-Lock
11	49-7810	8	Nut-Lock
12	106-2865	4	Washer-Flat
13	33113-035	4	Screw-HH
14	106-2895	1	Bracket-Deck
15	106-2912	1	Bushing
16	33115-050	1	Screw-HH
17	106-2894	1	Bracket-Deck
18	46-0330	10	Nut-Lock
19	106-2896	2	Bracket-Deck
20	33104-020	10	Screw-HHF
23	33094-00	1	Washer-Plain
24	106-2879	1	Pin-Hair
25	106-2882	1	Screw-CARR
26	114-3198	1	Deck-Hanger, Support

Ref	Part No.	Qty.	Description
27	106-2967	2	Handle
28	106-2954	1	Lever-Blade, Clutch
29	106-2955	1	Bushing
30	106-2869	3	Shim
31	106-2950	1	Spring-Compression
32	106-1806	6	Washer
33	106-6512	1	Plate
34	33113-016	4	Screw-HH
35	106-6406	1	Decal-Recycler
36	107-2229	1	Spring-Lift, Deck
37	114-3203	5	Bushing-Linkage, Deck



Hydro Transaxle Assembly

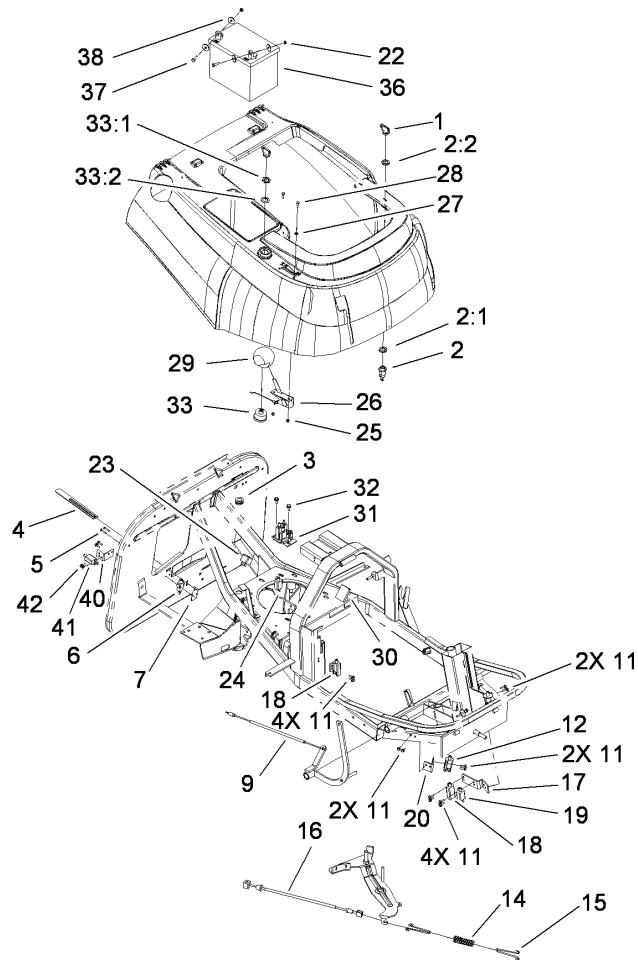
Ref	Part No.	Qty.	Description
1	33116-040	1	Screw-HH
2	114-3206	1	Pulley
3	106-2984	1	Spacer-Idler
4	106-2934	1	Bracket
5	46-0090	1	Nut-Lock
6	106-2921	1	Washer-Flat
7	33025-00	1	Nut-Lock
8	114-3195	1	Lever-Release
9	106-2904	1	Washer-Flat
10	106-2996	1	Pin-Hair
11	114-3188	1	Wheel-Rear, Left
12	106-2913	2	Tire
14	114-3202	2	Spacer-Outer
15	106-2909	2	Ring-Retaining, EXT
16	114-3190	2	Spacer-Inner
18	114-3192	1	Transaxle
19	106-2891	4	Screw-HH
20	106-2995	1	Spring-Extension
21	46-0330	4	Nut-Lock
22	114-3189	1	Wheel-Rear, Right
23	33094-00	4	Washer-Plain



Engine and Fuel Tank Assembly

Ref	Part No.	Qty.	Description
1	3274-10	2	Screw-HSH
2	107-2233	1	Pipe-Exhaust
3	107-2210	4	Clamp-Tube
4	106-2990	1	Hose-Fuel
5	49-7810	5	Nut-Lock
6	106-2853	2	Washer-Flat
7	106-6541	1	Strap-Fuel Tank, Left
8	33113-020	1	Screw-HH
9	106-1828	1	Guard-Muffler
10	107-2235	1	Shield-Pipe, Exhaust
11	107-2234	1	Shield-Muffler, Rear
12	114-3298	1	Belt
13	106-1836	1	Spacer
14	114-3297	1	Pulley-Engine, Hydro
15	67-7490	1	Key-Square
16	106-1837	1	Spacer
17	106-2856	1	Washer-Lock
18	3212-8	1	Screw-HH
19	114-3299	1	Belt-Deck, Hydro
20	33114-035	3	Screw-HH
21	33094-00	1	Washer-Plain
22	106-2974	2	Guide-Belt
23	33014-00	2	Nut-Hex
24	106-6537	1	Tank-Fuel

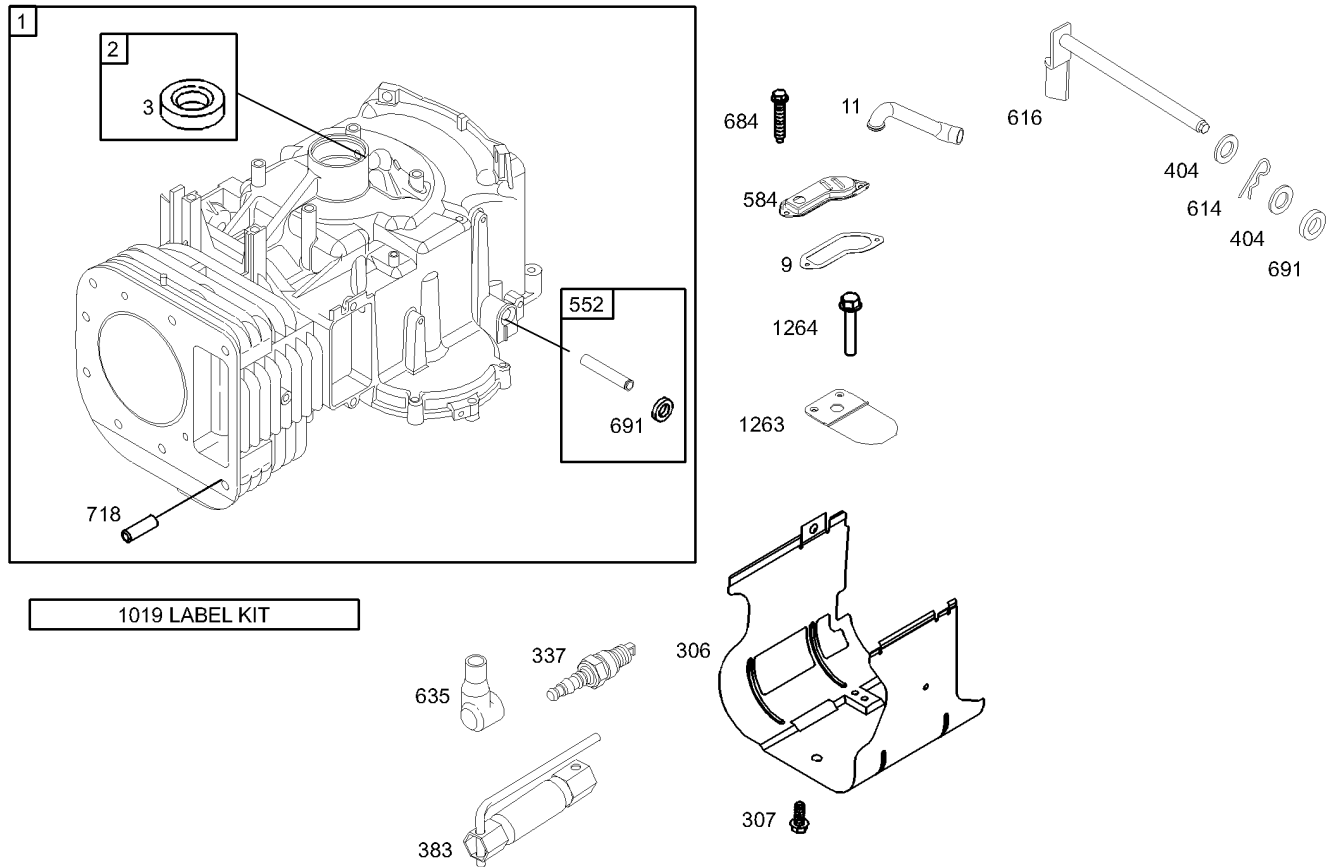
Ref	Part No.	Qty.	Description
25	55-3576	1	Gas Cap ASM
26		1	Engine-Briggs And Stratton, 31G777-0121-E1
27	46-0330	7	Nut-Lock
28	33093-00	8	Washer-Flat
30	33114-045	1	Screw-HH
31	106-2854	5	Washer-Flat
32	106-6540	1	Strap-Fuel Tank, Right
33	107-1555	1	Hose-Fuel
34	107-2241	1	Tube-Drain, Oil
35	92-6877	1	Valve-Drain, Oil
36	33103-025	1	Screw-HHF
37	33103-030	2	Screw-HHF
99	107-8937	1	Plug-Wrench



Electrical Assembly

Ref	Part No.	Qty.	Description
1	63-8360	2	Key-Ignition
2	46-5780	1	Switch-Starter
2:1	3254-5	1	Washer-Tooth
2:2	218-461	1	Nut-HH
3	106-2863	1	Grommet
4	106-1831	1	Lever-Bag Fill
5	106-2850	2	Screw
6	106-1843	1	Switch
7	106-1827	1	Clamp-Bag Fill
9	114-3196	1	Cable-Brake
11	106-1849	14	Screw-HH, TAP
12	100-8725	1	Switch-Double, Pole
14	106-2917	1	Spring-Compression
15	106-2918	2	Hook-Spring
16	106-2956	1	Cable
17	106-1808	1	Bracket-Switch
18	86-4690	2	Switch-Interlock
19	65-7410	1	Switch-Pole, Single
20	106-1816	1	Bracket-Switch
22	33013-00	2	Nut-Hex
23	98-7249	1	Relay
24	65-7410	1	Switch-Pole, Single
25	46-0410	2	Nut-Lock
26	106-2916	1	Throttle Cable ASM

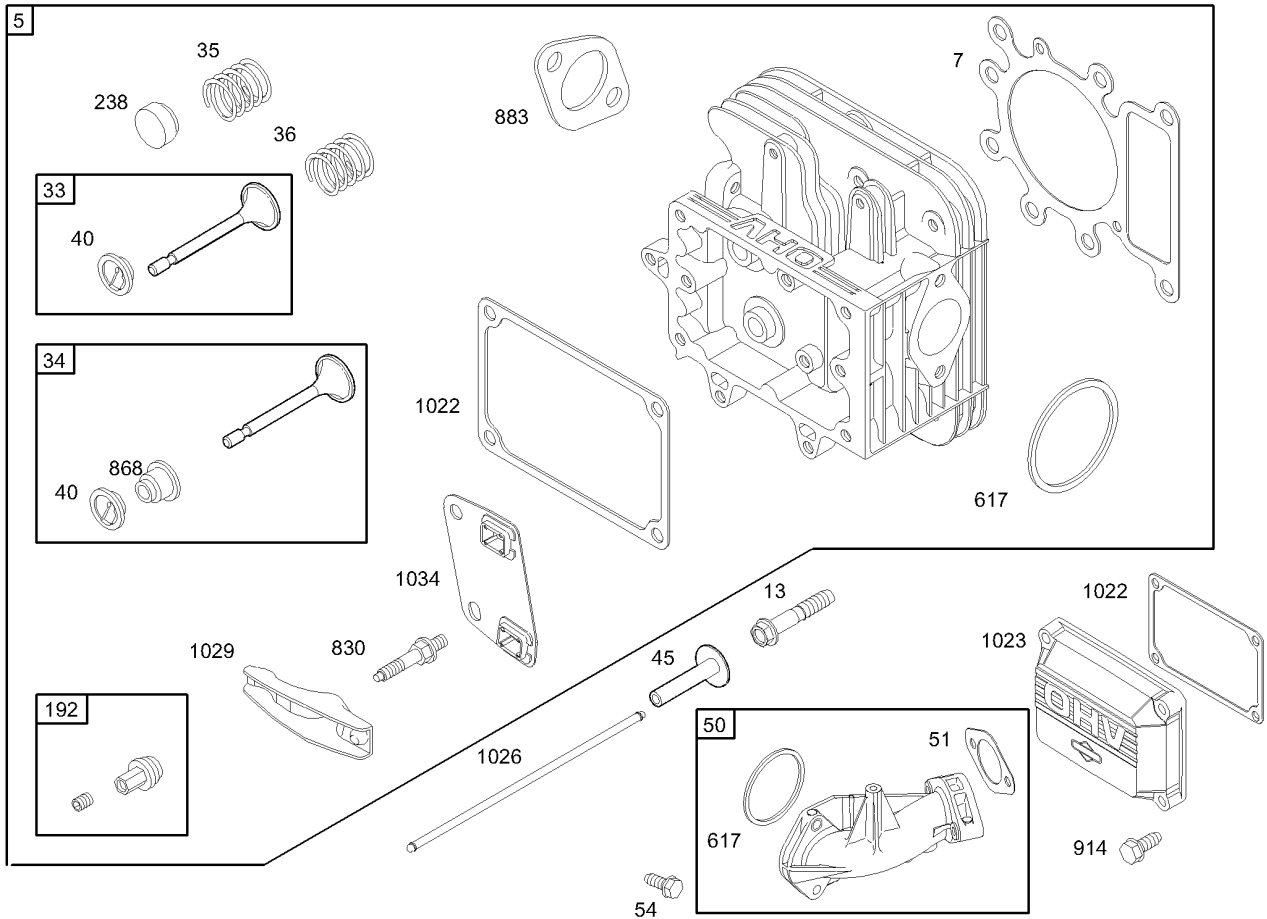
Ref	Part No.	Qty.	Description
27	52-6430	2	Washer
28	60-6910	2	Screw
29	106-2989	1	Knob
30	99-3700	1	Module
31	47-1910	1	Solenoid
32	106-2852	2	Screw-HHF, TAP
33	88-9830	1	Key Switch ASM
33:1	3254-5	1	Washer-Tooth
33:2	218-461	1	Nut-HH
36	104-1755	1	Battery
37	33113-020	2	Screw-HH
38	106-2853	4	Washer-Flat
39	114-3215	1	Harness-Wiring, Hydro
40	114-3211	1	Bracket-Collector, Switch
41	65-7410	1	Switch-Pole, Single
42	106-1849	4	Screw-HH, TAP



Assemblies include all parts shown in frames.

Cylinder Assembly Briggs and Stratton 31G777-0121-E1

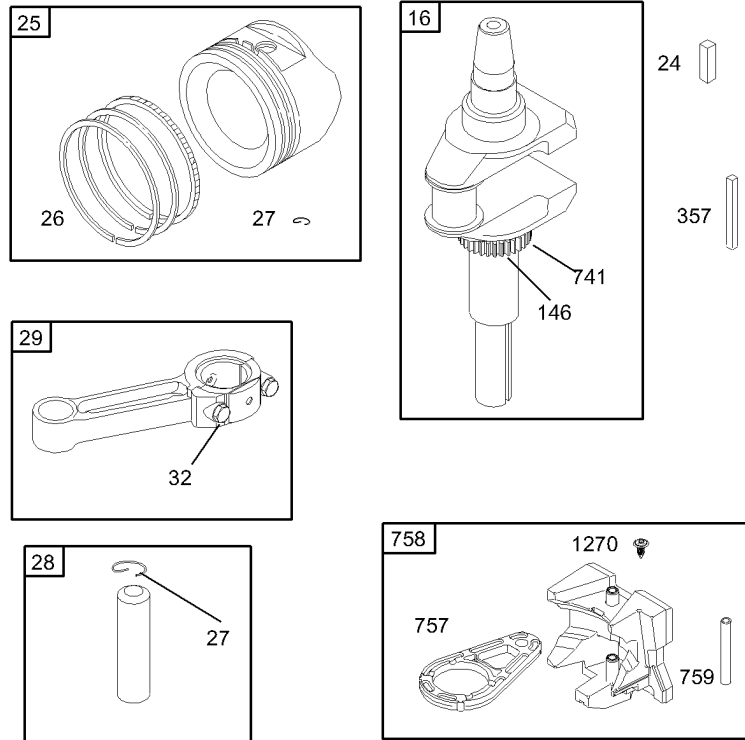
Ref	Part No.	Qty.	Description
1	697174	1	Cylinder ASM
2	399265	1	Bushing And Seal Kit
3	391086	1	Seal-Oil
9	697109	1	Gasket-Breather
11	697113	1	Tube-Breather
17	697762	1	Short Block ASM
30	697107	1	Shield-Cylinder
30	691003	1	Screw
33	691043	1	Spark Plug
38	89838	1	Wrench-Plug, Spark
40	691691	1	Washer
55	697144	1	Bushing-Crank, Governor
58	697112	1	Cover-Passage, Breather
61	691620	1	Pin-Cotter
62	692012	1	Crank-Governor
63	691909	1	Boot-Spark Plug
68	697157	1	Screw
69	692407	1	Seal-Shaft, Governor
71	690959	1	Pin-Locating
10	697143	1	Label Kit
12	697124	1	Reed-Breather
12	697104	1	Screw



Cylinder Head Assembly Briggs and Stratton 31G777-0121-E1

Ref	Part No.	Qty.	Description
75	698147	1	Head-Cylinder
347	692410	1	Gasket-Cylinder Head
7			
713	690360	1	Screw
733	695760	1	Valve-Exhaust
734	695761	1	Valve-Intake
735	691279	1	Spring-Valve
736	691279	1	Spring-Valve
740	691752	1	Retainer-Valve
745	690564	1	Tappet-Valve
750	690193	1	Manifold-Intake
3451	692137	1	Gasket-Intake
56			
754	691148	1	Screw
7192	691986	1	Adjustor-Arm, Rocker
7238	691843	1	Cap-Valve
35617	692138	1	Seal-O Ring
7			
7830	691095	1	Stud-Arm, Rocker
34868	690968	1	Seal-Valve
7			
7883	692236	1	Gasket-Exhaust
7914	690960	1	Screw
371022	272475	1	Gasket-Cover, Rocker
71023	692492	1	Cover-Rocker

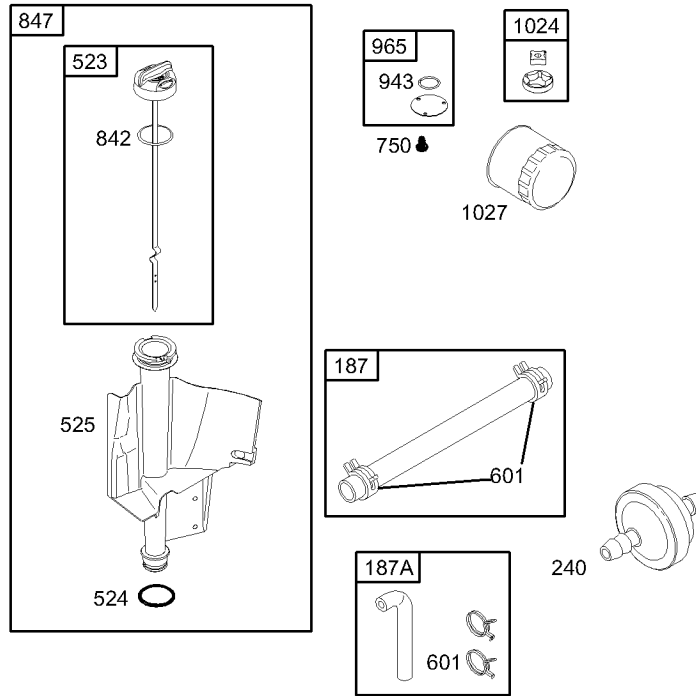
Ref	Part No.	Qty.	Description
71026	692003	1	Rod-Push
7	692011	1	Rod-Push
71029	691751	1	Arm-Rocker
71034	690822	1	Guide-Rod, Push



Assemblies include all parts shown in frames.

Crankshaft Assembly Briggs and Stratton 31G777-0121-E1

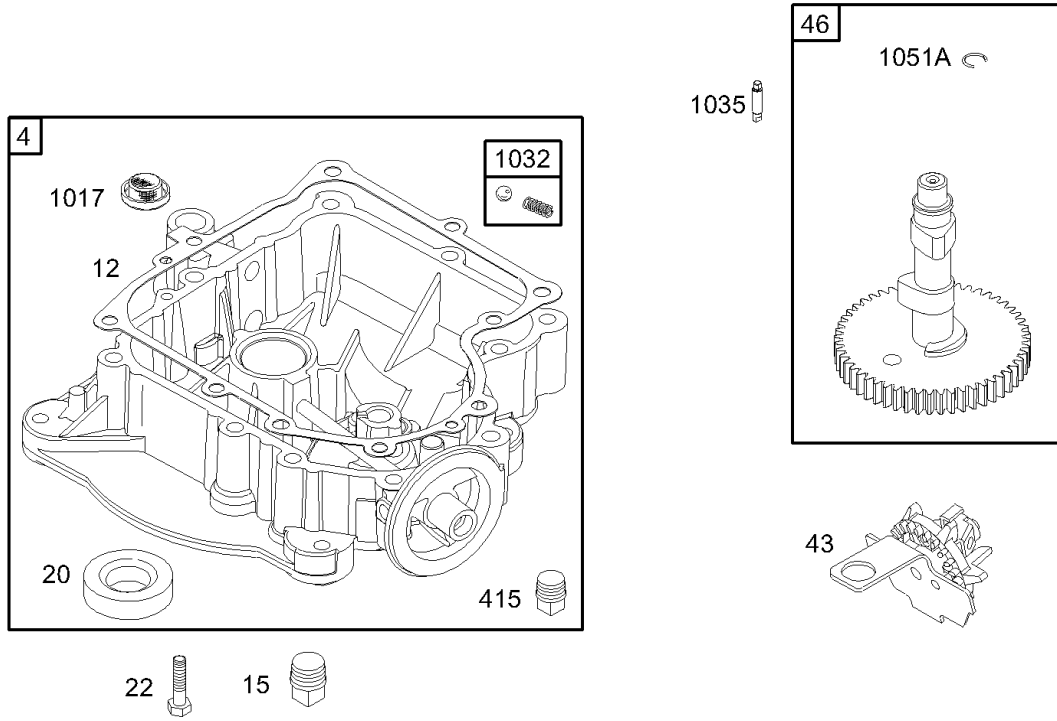
Ref	Part No.	Qty.	Description
16	697127	1	Crankshaft
24	222698	1	Key
25	697159	1	Piston ASM (Standard)
7	697160	1	Piston ASM (.010" Oversize)
7	697162	1	Piston ASM (.020" Oversize)
7	697163	1	Piston ASM (.030" Oversize)
26	697164	1	Ring Set (Standard)
7	697165	1	Ring Set (.010" Oversize)
7	697171	1	Ring Set (.020" Oversize)
7	697172	1	Ring Set (.030" Oversize)
27	698469	1	Lock-Pin, Piston
28	697099	1	Pin-Piston (STD)
29	697126	1	Rod-Connecting (Standard)
7	697263	1	Rod-Connecting (.020In Undersize)
32	692852	1	Screw
146	691639	1	Key-Timing
357	691483	1	Key-Pulley, Drive
741	697128	1	Gear-Timing
757	697607	1	Link-Counterweight
758	697134	1	Counterweight
759	697392	1	Pin-Counterweight
1270	697156	1	Plug-Counterweight, Avs



Assemblies include all parts shown in frames.

Oil Filter, Tube and Pump Assembly Briggs and Stratton 31G777-0121-E1

Ref	Part No.	Qty.	Description
⑦187	296004	1	Fuel-Hose
⑦187A	698820	1	Line-Fuel
⑦240	298090	1	Filter
⑦523	697086	1	Dipstick
③⑦524	691032	1	Seal-O Ring
⑦525	697085	1	Tube-Dipstick
⑦601	691038	1	Clamp-Hose
⑦750	691033	1	Screw
③⑦842	691031	1	Seal-O Ring
⑦847	697087	1	Dipstick/Tube ASM
③⑦943	690589	1	Seal-O Ring
⑦965	499613	1	Cover-Pump, Oil
⑦1024	499054	1	Pump-Oil
⑦1027	492932	1	Filter-Oil

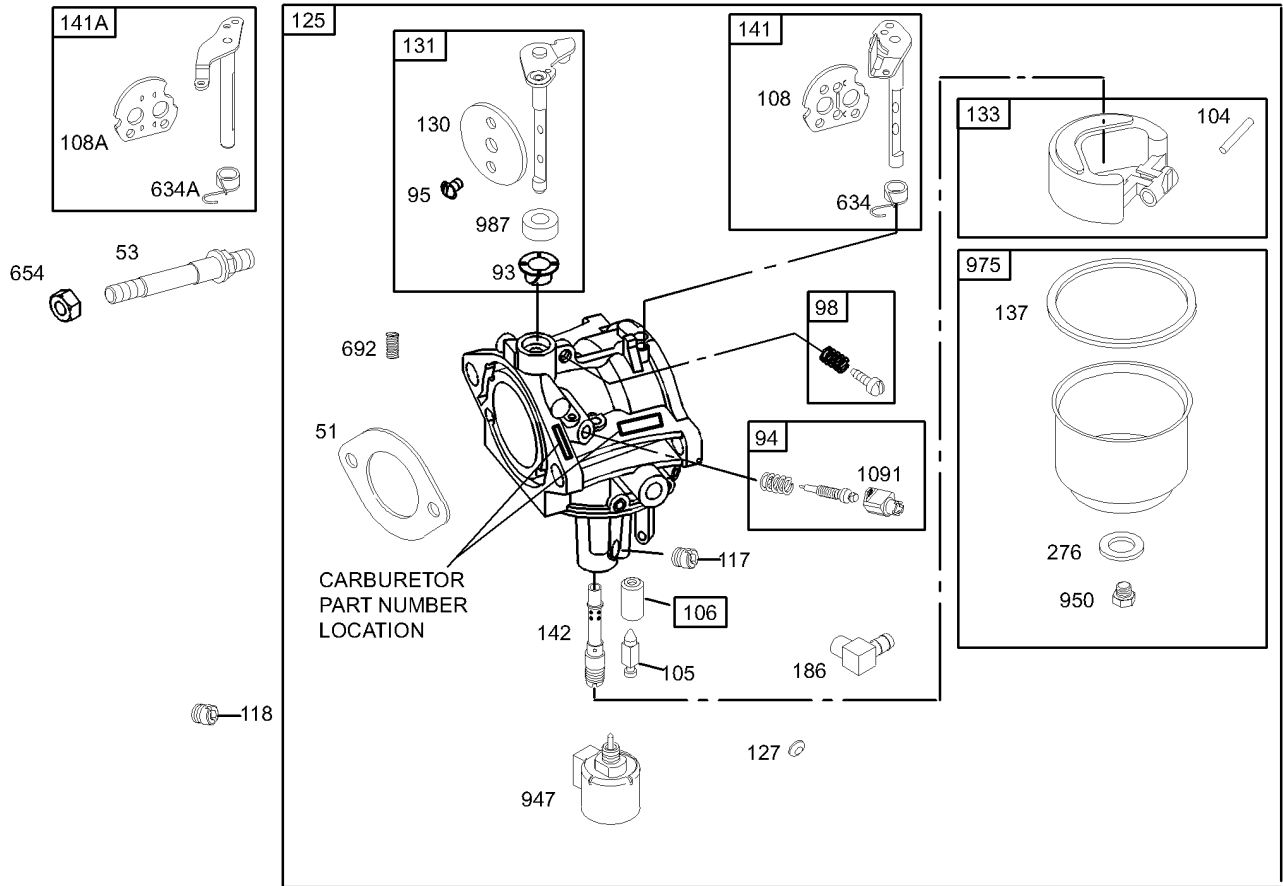


Assemblies include all parts shown in frames.

Crankcase Assembly Briggs and Stratton 31G777-0121-E1

Ref	Part No.	Qty.	Description
④	697188	1	Sump-Engine
③⑦12	697110	1	Gasket-Crankcase
⑦15	690946	1	Plug-Drain, Oil
③⑦20	690947	1	Seal-Oil
⑦22	692125	1	Screw
⑦43	691968	1	Slinger-Governor,Oil
⑦46	698492	1	Camshaft
⑦415	690283	1	Plug-Oil
⑦1017	690770	1	Screen-Pump, Oil
⑦1032	491710	1	Ball-Pump, Oil
⑦1035	693784	1	Shaft-Pump, Oil
⑦1051A	698802	1	Ring-Retaining

--	--	--	--

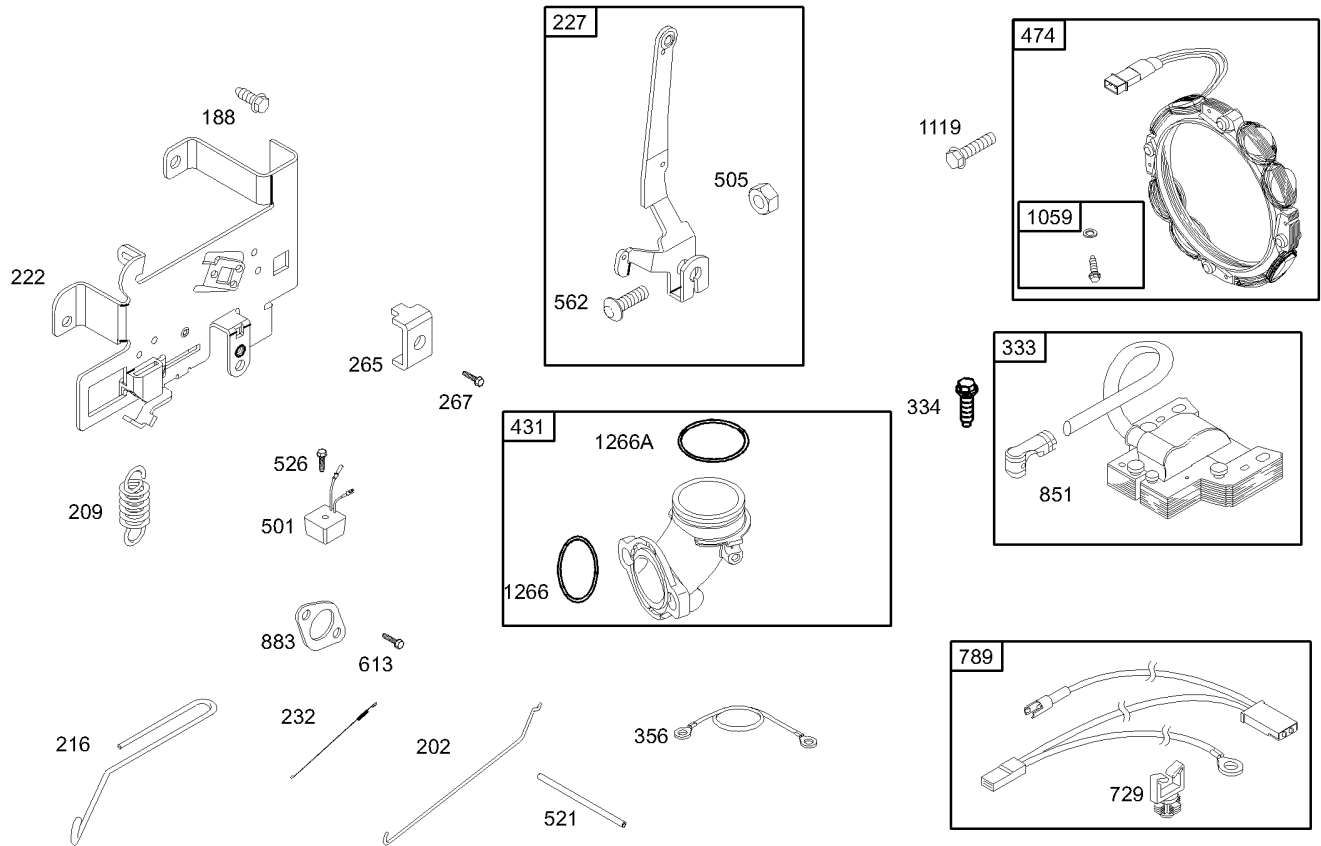


Assemblies include all parts shown in frames.

Carburetor Assembly Briggs and Stratton 31G777-0121-E1

Ref	Part No.	Qty.	Description
5 4 51	692137	1	Gasket-Intake
6 7			
7 53	690227	1	Stud
5 7 93	690602	1	Bushing-Shaft, Throttle
7 94	498030	1	Idle Mixture Kit
5 7 95	691636	1	Screw
7 98	495800	1	Idle Speed Kit
5 7 104	690525	1	Pin-Hinge, Carburetor Float
5 7 105	231855	1	Valve-Needle, Float
5 7 106	690577	1	Seat-Inlet
7 108	690464	1	Valve-Choke
7 108A	692344	1	Valve-Choke
7 117	694352	1	Jet-Main (STD)
7 118	697228	1	Jet-Main (High Altitude)
7 125	697190	1	Carburetor
7 127	695005	1	Plug-Welch
7 130	691750	1	Valve-Throttle
7 131	494379	1	Throttle Shaft Kit
7 133	494381	1	Float-Carburetor
5 6 137	281165	1	Gasket-Bowl, Float
7			
7 141	495097	1	Choke Shaft Kit
7 141A	495931	1	Choke Shaft Kit
5 7 142	697140	1	Nozzle-Carburetor

Ref	Part No.	Qty.	Description
7 186	698174	1	Connector-Hose
5 6 276	692255	1	Washer-Sealing
7			
5 7 634	690801	1	Spring / Seal ASM
5 7 634A	690802	1	Spring And Seal ASM
7 654	690958	1	Nut
7 692	690572	1	Spring-Detent
7 947	694393	1	Solenoid-Fuel
7 950	691657	1	Screw
7 958	494768	1	Valve-Fuel Shut Off
7 975	495933	1	Bowl-Float
5 7 987	691326	1	Seal-Shaft, Throttle
7 1091	691333	1	Cap-Limiter

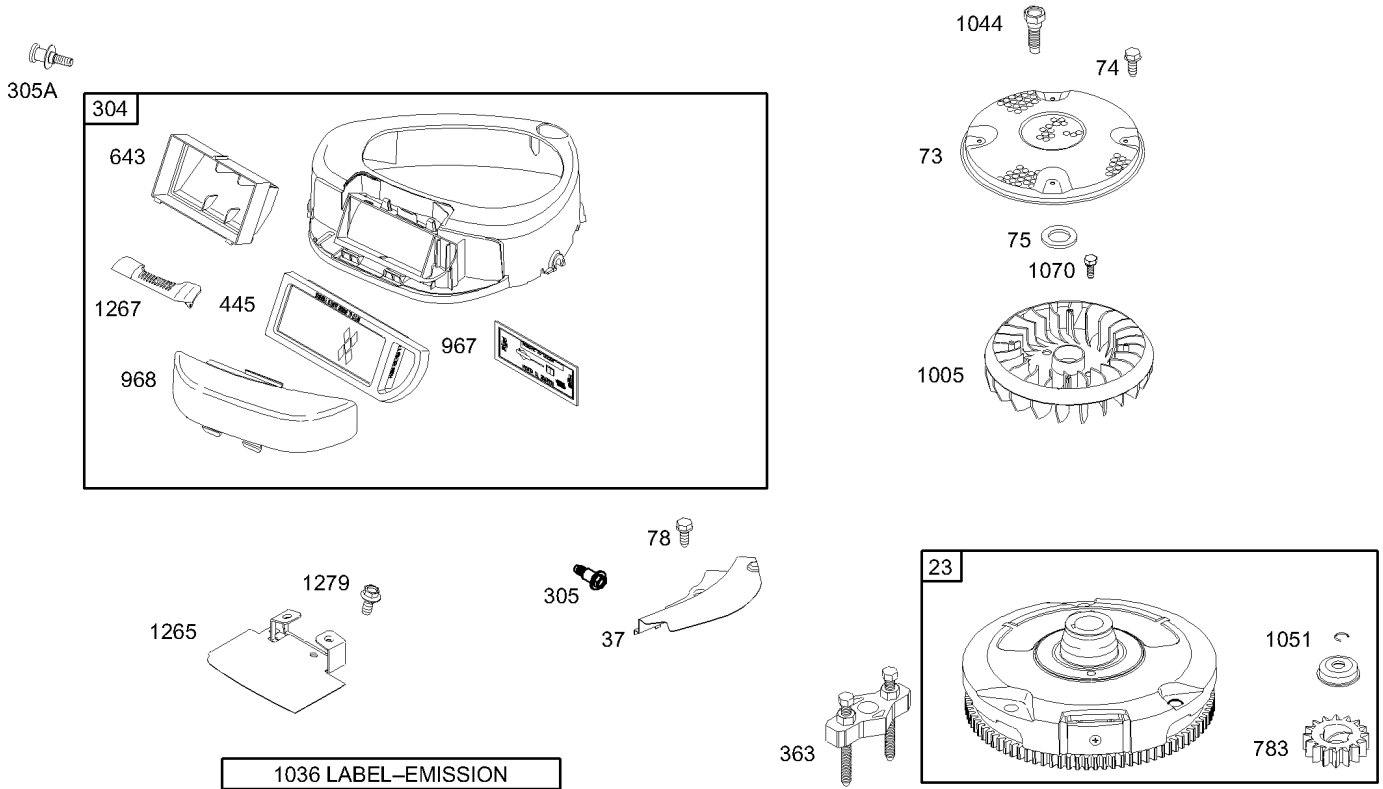


Assemblies include all parts shown in frames.

Governor Assembly Briggs and Stratton 31G777-0121-E1

Ref	Part No.	Qty.	Description
188	691693	1	Screw
202	691841	1	Link-Governor, Mechanical
209	691795	1	Spring-Governor
216	691840	1	Link-Choke
222	694042	1	Bracket-Control
227	691374	1	Lever-Control, Governor
232	691842	1	Spring-Link, Governor
265	691024	1	Clamp-Casing
267	690804	1	Screw
333	492341	1	Armature-Magneto
334	691061	1	Screw
356	697089	1	Stop-Wire
431	697122	1	Elbow-Intake
474	696457	1	Alternator
501	691188	1	Regulator
505	691251	1	Nut
521	690581	1	Shield-Cable
526	697088	1	Screw
562	691119	1	Screw
613	698941	1	Screw
729	691335	1	Clip-Wire
789	692037	1	Wiring-Harness
851	692424	1	Terminal-Spark Plug
883	692236	1	Gasket-Exhaust

Ref	Part No.	Qty.	Description
1059	698516	1	Screw And Washer Kit
1119	691183	1	Screw
1266	691917	1	Seal-O Ring
1266A	697123	1	Seal-O Ring

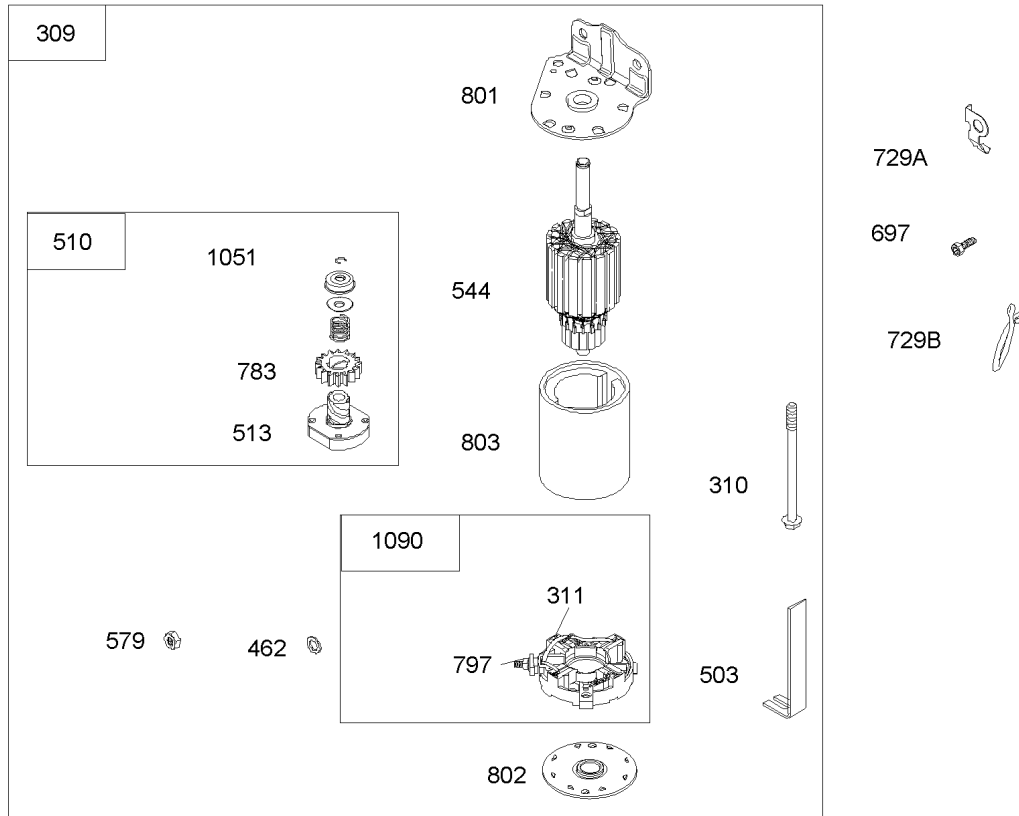


Assemblies include all parts shown in frames.

Blower Housing Assembly Briggs and Stratton 31G777-0121-E1

Ref	Part No.	Qty.	Description
●23	693556	1	Flywheel
●37	697108	1	Guard-Flywheel
●73	697133	1	Screen-Rotating
●74	697897	1	Screw
●75	690582	1	Washer-Flywheel
●78	691003	1	Screw
●304	698804	1	Housing-Blower
●305	697102	1	Screw
●305A	697103	1	Screw
●363	19203	1	Puller-Flywheel
●445	698083	1	Filter-Cartridge, Air Cleaner
●643	698401	1	Retainer-Filter, Air
●783	693713	1	Gear-Pinion
●967	697015	1	Filter-Cleaner, Pre
●968	697084	1	Cover-Cleaner, Air
●1005	697111	1	Fan-Flywheel
●1036	695700	1	Label-Emission
●1044	691658	1	Screw-Crankshaft Extension
●1051	691265	1	Ring-Retaining
●1070	690372	1	Screw
●1265	697125	1	Support-Housing, Blower
●1267	697135	1	Latch-Blower Housing
●1279	690960	1	Screw

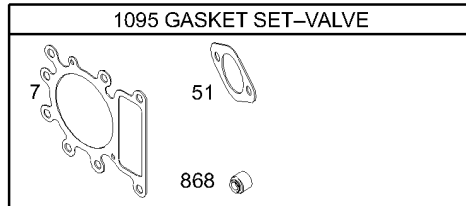
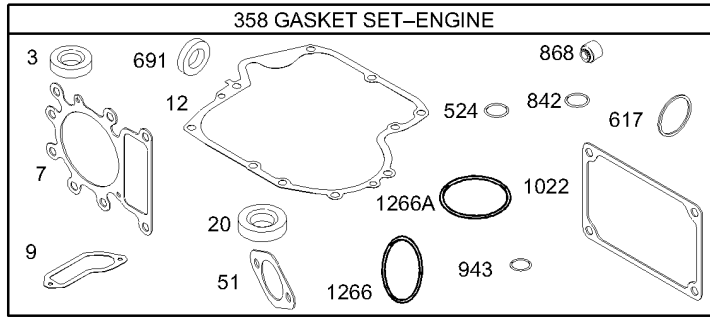
--	--	--	--



Assemblies include all parts shown in frames.

Starter Assembly Briggs and Stratton 31G777-0121-E1

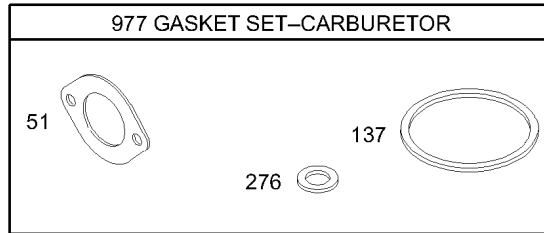
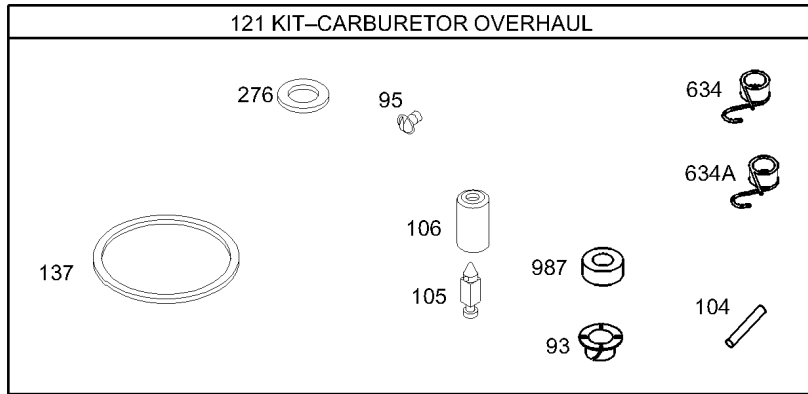
Ref	Part No.	Qty.	Description
309	693551	1	Motor-Starter
310	690323	1	Bolt
311	497608	1	Brush Set
462	691261	1	Washer
503	691532	1	Strap-Starter
510	693699	1	Drive-Starter
513	692024	1	Clutch-Drive
544	692034	1	Armature-Starter
579	691029	1	Nut
697	690372	1	Screw
729A	691224	1	Clip-Wire
729B	694123	1	Clip-Wire
783	693713	1	Gear-Pinion
797	693167	1	Nut
801	691283	1	Cap-Drive
802	691286	1	Cap-End
803	693757	1	Housing-Starter
1051	691265	1	Ring-Retaining
1090	691293	1	Retainer-Brush



Assemblies include all parts shown in frames.

Gasket Assembly Briggs and Stratton 31G777-0121-E1

Ref	Part No.	Qty.	Description
373	391086	1	Seal-Oil
347	692410	1	Gasket-Cylinder Head
7			
379	697109	1	Gasket-Breather
3712	697110	0	Gasket-Crankcase
3720	690947	1	Seal-Oil
3451	692137	1	Gasket-Intake
56			
7358	697191	1	Gasket Set-Engine
35617	692138	1	Seal-O Ring
7			
37524	691032	1	Seal-O Ring
37691	692407	1	Seal-Shaft, Governor
37842	691031	1	Seal-O Ring
34868	690968	1	Seal-Valve
7			
37943	690589	1	Seal-O Ring
371022	272475	1	Gasket-Cover, Rocker
71095	691581	1	Valve Gasket Set
351266	691917	1	Seal-O Ring
7			
351266A	697123	1	Seal-O Ring
7			



Assemblies include all parts shown in frames.

Carburetor Overhaul Kit Assembly Briggs and Stratton 31G777-0121-E1

Ref	Part No.	Qty.	Description
③④51 ⑥⑦	692137	1	Gasket-Intake
⑤⑦93	690602	1	Bushing-Shaft, Throttle
⑤⑦95	691636	1	Screw
⑤⑦104	690525	1	Pin-Hinge, Carburetor Float
⑤⑦105	231855	1	Valve-Needle, Float
⑤⑦106	691780	1	Seat-Inlet
⑦121	697884	1	Kit-Carburetor Overhaul
⑤⑥137 ⑦	281165	1	Gasket-Bowl, Float
⑤⑥276 ⑦	692255	1	Washer-Sealing
⑤⑦634	690801	1	Spring / Seal ASM
⑤⑦634A	690802	1	Spring And Seal ASM
⑦977	690192	1	Carburetor Gasket Set
⑤⑦987	691326	1	Seal-Shaft, Throttle

--	--	--	--

NOTES

