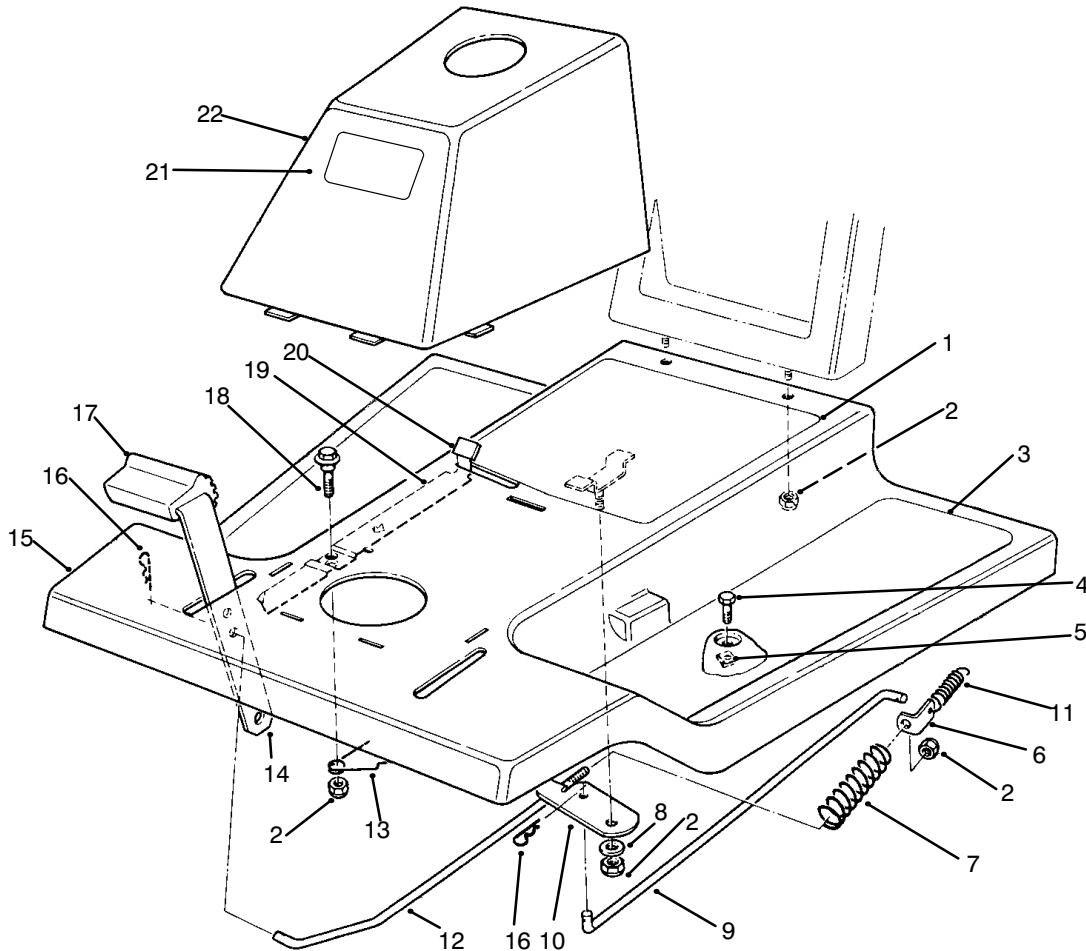




MODEL NO. 70060-5900001 & UP

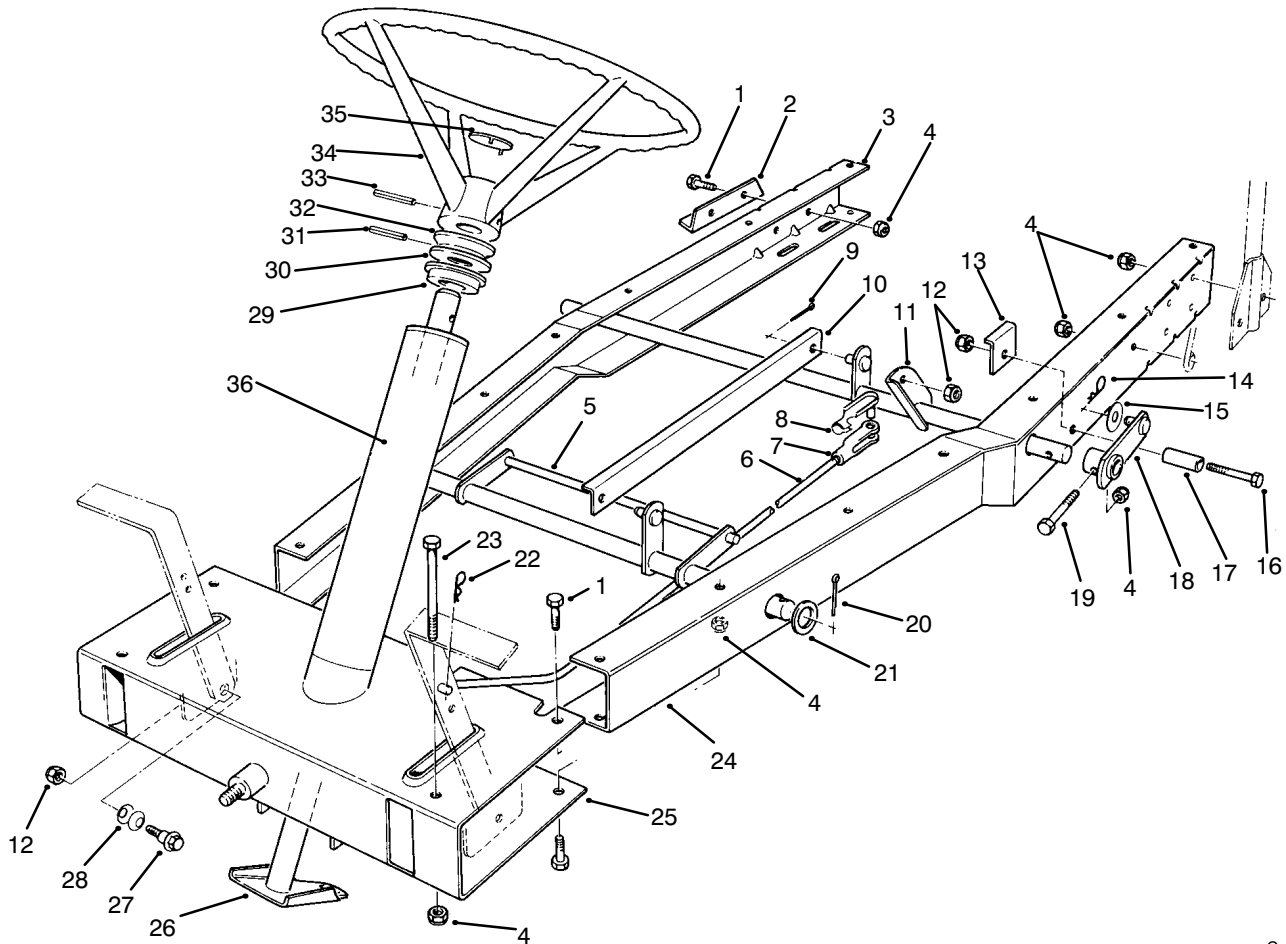
PARTS
CATALOG
WHEEL HORSE®
8-25 RIDING MOWER


C-0004

FRONT BODY ASSEMBLY

Ref. No.	Part No.	Description	No. Used
1	76-1620	Decal - Instruction	1
2	3296-29	Nut - Lock	5
3	44-7030	Tread - Foot Rest	2
4	32104-110	Screw - Cap Hex. Hd.	4
5	3290-347	Nut - U-Type	4
6	67-1590	Bracket - Brake Return	1
7	67-1430	Spring - Compression	1
8	26-9530	Washer - Pivot	1
9	67-1340	Rod - Brake, Transmission	1
10	67-1330-03	Lever - Brake, Bellcrank	1
11	67-1450	Spring - Extension	1
12	67-1350	Rod - Front, Brake	1

Ref. No.	Part No.	Description	No. Used
13	19-1970	Spring - Brake, Parking	1
14	67-1130-03	Pedal - Brake & Clutch	2
15	67-1070-01	Body W.A. - Front	1
16	3290-250	Pin - Hair, Cotter	2
17	65-2920	Pad - Pedal	2
18	19-1470	Bolt - Shoulder	1
19	19-1610-03	Lever - Brake, Parking	1
20	19-2200	Tip - Brake, Parking	1
21	92-7981	Decal - Toro	1
22	55-7101	Tower (Incl. Ref. #21)	1



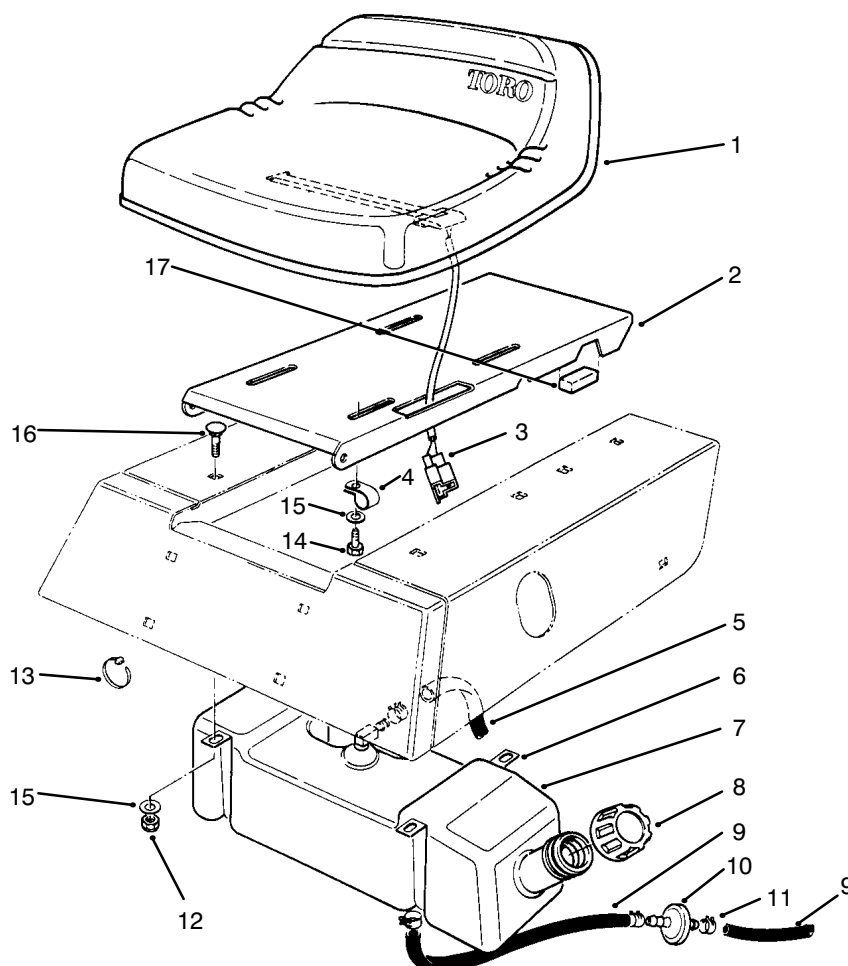
C-0005

FRAME ASSEMBLY

Ref. No.	Part No.	Description	No. Used
1	322-3	Screw - Cap Hex. Hd.	6
2	44-7140-01	Mount - Bearing, Axle	1
3	67-0520-01	Channel - R.H.	1
4	3296-29	Nut - Lock	16
5	67-0010-03	Lift W.A. - Front, Deck	1
6	67-0430	Rod - Clutch	1
7	282-27	Clevis	1
8		Assembly - Pin, Clevis	1
9	3272-6	Pin - Cotter	2
10	76-3890	Bracket - Link, H.O.C.	1
11	67-0050-01	Tube W.A. - Support, Rear	1
12	3296-39	Nut - Lock	5
13	67-1510-03	Brace - Stop, Deck	2
14	3290-355	Pin - Hair, Cotter	2
15	67-1460	Washer - Flat	2
16	323-10	Screw - Cap Hex. Hd.	2
17	68-8380	Spacer - Stop, Deck	2
18	76-3790	Lever W.A. - H.O.C.	2
19	46-2511	Bolt - Mounting, Axle	2

Ref. No.	Part No.	Description	No. Used
20	3272-23	Pin - Cotter	2
21	3256-29	Washer - Flat	2
22	3290-250	Pin - Hair, Cotter	1
23	322-14	Screw - Cap Hex. Hd.	2
24	67-0530-01	Channel - L.H.	1
25	67-0450-01	Frame W.A. - Front	1
26	67-0830-03	Shaft W.A. - Steering	1
27	67-0870	Bolt - Shoulder	2
28	3290-413	Washer - Belleville	4
29	67-0850	Bushing - Steering	2
30	67-0860	Washer - Steering	1
31	32121-32	Pin - Roll	1
32	67-0440	Spacer - Steering	1
33	32121-78	Pin - Roll	1
34	49-3242	Wheel - Steering	1
35	88-9840	Insert - Wheel, Steering	1
36	76-4080	Decal	1
*	13-6049	Kit - Loose parts	1

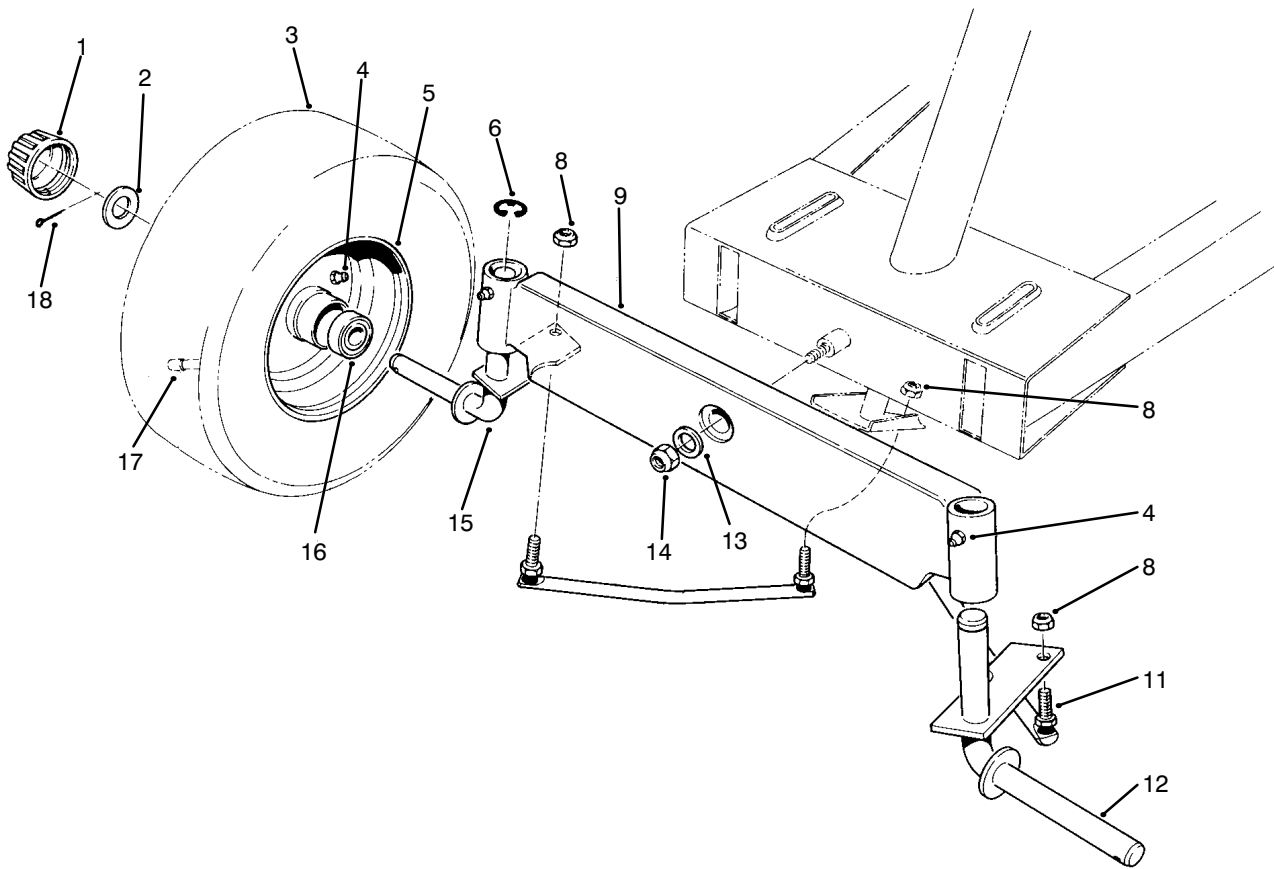
*Not Illustrated



C-0002A

SEAT & GAS TANK ASSEMBLY

Ref. No.	Part No.	Description	No. Used	Ref. No.	Part No.	Description	No. Used
1	66-6680	Seat	1	10	56-6360	Filter	1
2	67-1241	Base - Seat	1	11	2412-98	Clamp - Hose	5
3	38-1420	Switch - Seat	1	12	3296-29	Nut - Lock	4
4	18-2970	R-Clamp	1	13	3290-378	Tie - Cable	1
5	47-2986	Hose - Gas	1	14	322-3	Screw - Cap Hex. Hd.	4
6	67-0950	Strap - Tank, Gas	2	15	3256-23	Washer - Flat	8
7	80-4580	Tank - Gas	1	16	3230-20	Bolt - Carriage	6
8	55-3576	Assembly - Cap, Gas	1	17	66-6920	Pad - Isolator	2
9	47-2964	Hose - Gas	2				

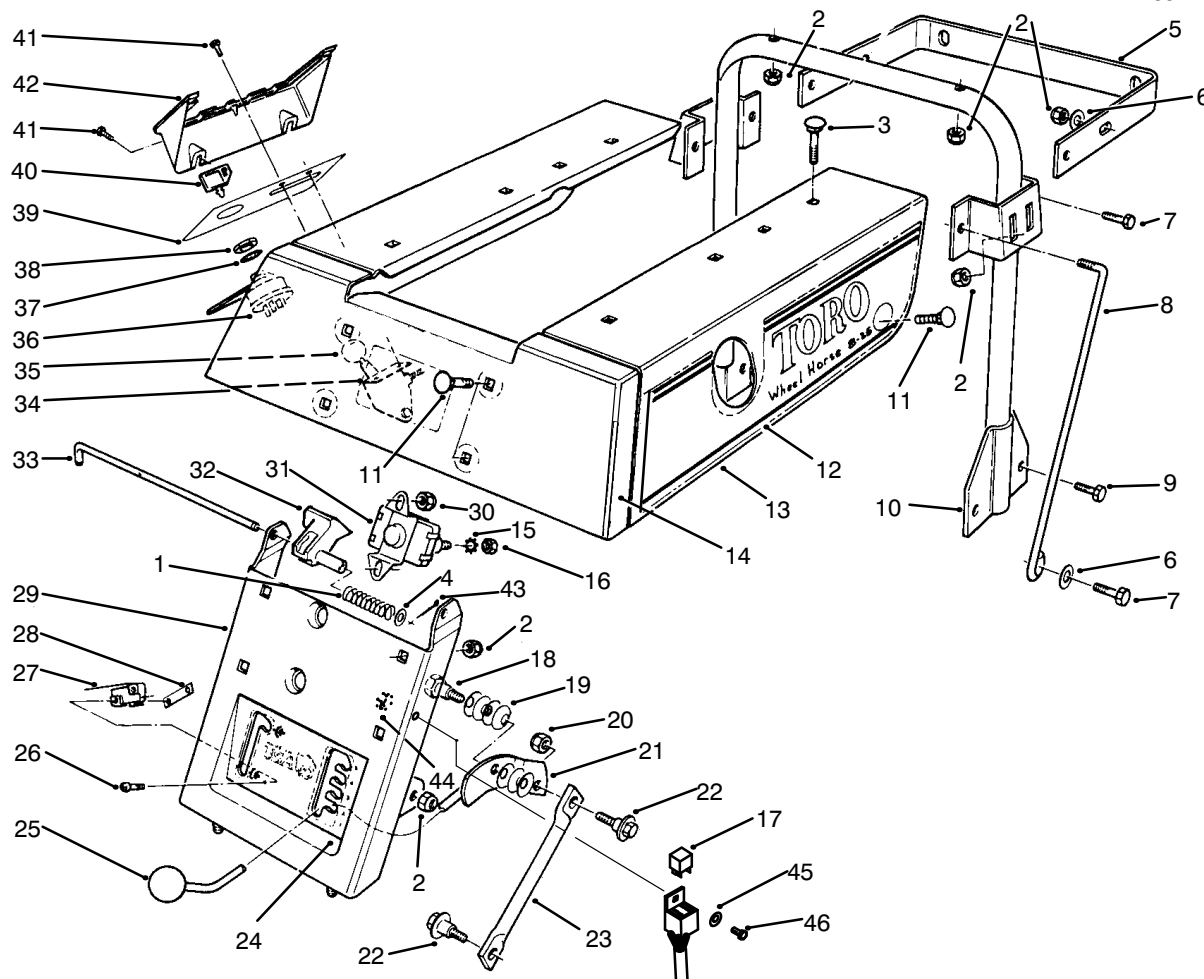


C-0003A

FRONT AXLE ASSEMBLY

Ref. No.	Part No.	Description	No. Used
1	61-9780	Cap - Hub	2
2	28-2480	Washer - Flat	2
3	231-116	Tire	2
4	302-5	Fitting - Grease	4
5	217-80	Rim	2
6	32151-48	Ring - Retaining	2
8	3296-4	Nut - Lock	4
9	67-0990	Axle - Front	1

Ref. No.	Part No.	Description	No. Used
11	67-0880	Assembly - Tie Rod	2
12	67-0810-01	Spindle - L.H.	1
13	3256-26	Washer - Flat	1
14	3296-25	Nut - Lock	1
15	67-0800-01	Spindle - R.H.	1
16	110513	Bearing	4
17	232-27	Valve Stem w/Cap	2
18	3272-12	Pin - Cotter	2

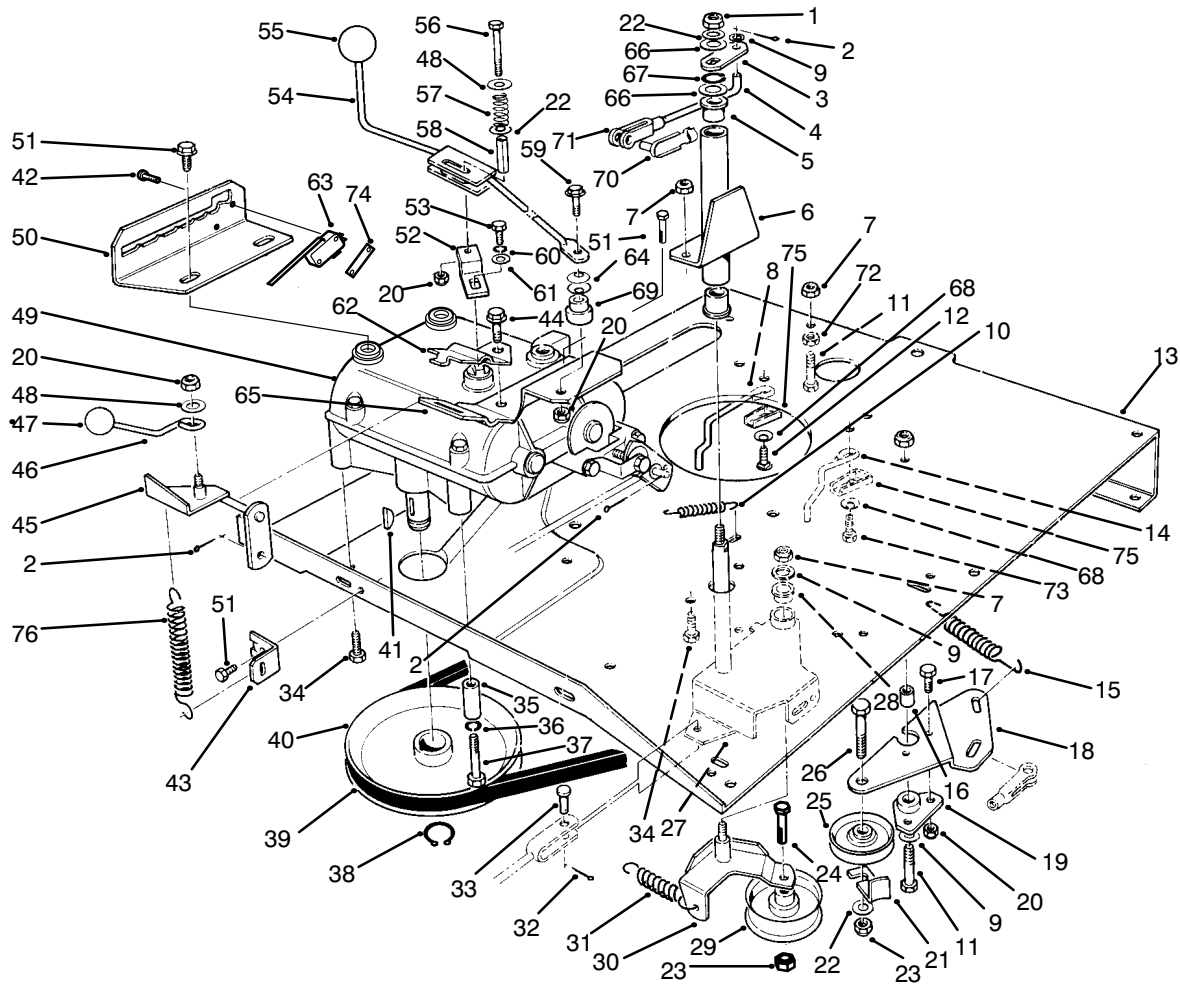


C-0007A

REAR BODY ASSEMBLY

Ref. No.	Part No.	Description	No. Used	Ref. No.	Part No.	Description	No. Used
1	71-8310	Spring - Prop, Seat	1	25	233-22	Knob	1
2	3296-29	Nut - Lock	11	26	3290-313	Screw - Pan Head	2
3	3230-3	Bolt - Carriage	2	27	40-8200	Switch - Micro	1
4	3256-22	Washer - Flat	1	28	3290-354	Nut - Double	1
5	67-1500-03	Bar - Stand	1	29	67-1090-01	Support W.A. - Seat	1
6	3256-23	Washer - Flat	4	30	3296-42	Nut - Lock	2
7	322-5	Screw - Cap Hex. Hd.	4	31	47-1910	Solenoid	1
8	67-1480	Brace - Support, Seat	2	32	80-4330	Prop - Seat	1
9	322-3	Screw - Cap Hex. Hd.	4	33	80-4550	Rod - Base, Seat	1
10	67-0790-03	Support W.A. - Seat	1	34	66-6640	Control - Throttle	1
11	3230-20	Bolt - Carriage	1	35	233-59	Knob	1
12	92-7979	Decal - Toro L.H.	1	36	88-9830	Switch - Ignition (Incl. Ref. #37 & 38)	1
*	92-7980	Decal - Toro R.H.	1	37	3254-5	Washer - Lock, Int. Tooth	1
13	67-0231-01	Body W.A. - Rear	1	38	218-461	Nut - Hex.	1
14	92-7978	Decal - Insignia	1	39	92-7976	Decal - Panel, Control	1
15	3255-7	Washer - Lock, Int. Tooth	2	40	63-8360	Key	2
16	3218-1	Nut - Jam	2	41	32144-42	Screw - Hex. Hd. Tapping	4
17	48-4700	Relay	1	42	67-1030	Cover - Panel, Control	1
18	28-0540	Bolt - Shoulder	1	43	3274-4	Pin - Cotter	1
19	3290-413	Washer - Belleville	7	44	3296-2	Nut - Lock	1
20	3296-39	Nut - Lock	1	45	3256-14	Washer - Flat	1
21	67-0270	Handle W.A. - H.O.C.	1	46	3290-134	Screw - Cap Mach. Hd.	1
22	67-0870	Bolt - Shoulder	2				
23	67-0080	Link - H.O.C.	1				
24	92-7977	Decal - H.O.C. Deck Engage.	1				

*Not Illustrated

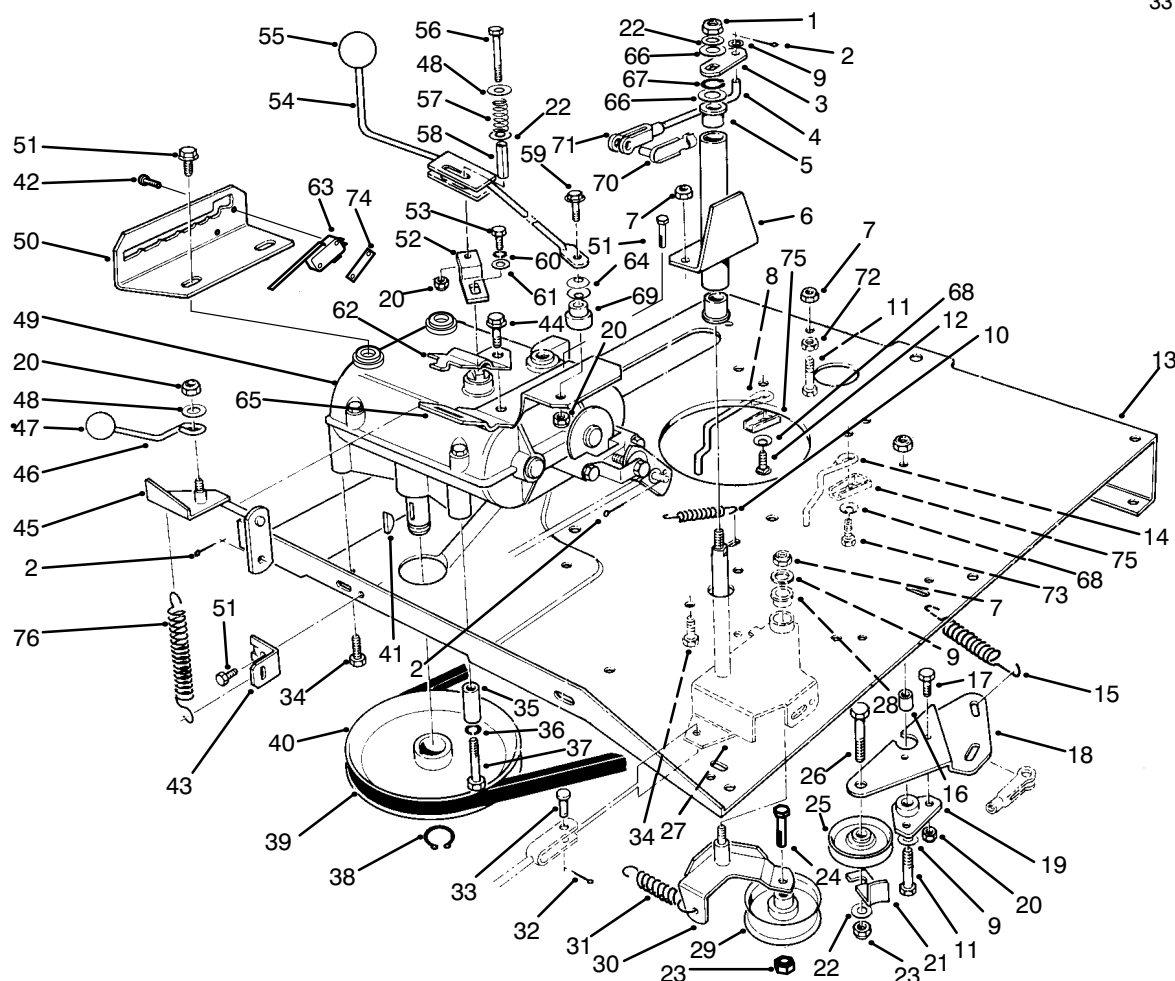


C-2106

TRANSMISSION & LINKAGE ASSEMBLY

Ref. No.	Part No.	Description	No. Used
1	3296-39	Nut - Lock	1
2	3272-6	Pin - Cotter	1
3	67-0690-03	Flat - Deck Engage	1
4	68-8370	Link - Deck Engage	1
5	256-90	Bushing	3
6	67-0540-03	Tube W.A. - Pivot (Incl. Ref. #5)	1
7	3296-29	Nut - Lock	8
8	67-0930	Guide R.H. - Belt, Engine	1
9	3256-23	Washer - Flat	3
10	26-6700	Spring - Return, Brake	1
11	322-6	Screw - Cap Hex. Hd.	1
12	3230-2	Bolt - Carriage	1
13	76-4090-01	Plate - Engine	1
14	67-0940	Guide L.H. - Belt, Engine	1
15	68-9950	Spring - Traction	1
16	67-0410	Spacer - Pivot	1
17	321-4	Screw - Cap Hex. Hd.	2
18	67-0420-03	Plate - Mount, Idler	1
19	67-0400	Mount - Pivot	1
20	3296-42	Nut - Lock	5
21	12-9020	Retainer - Belt	1
22	3256-24	Washer - Flat	3
23	3296-59	Nut - Lock	2

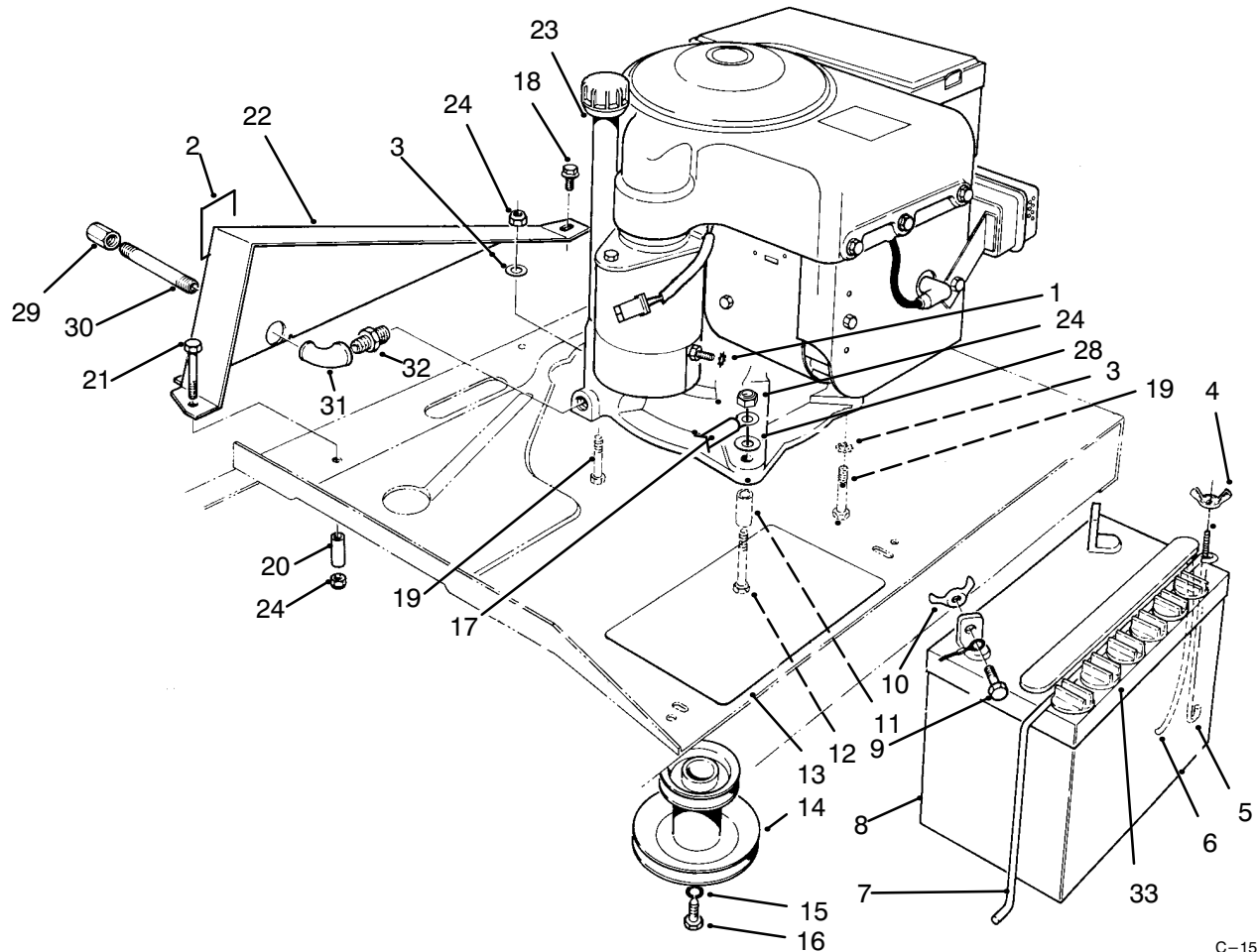
Ref. No.	Part No.	Description	No. Used
24	323-9	Screw - Cap Hex. Hd.	1
25	12-5820	Pulley - Idler, Traction	1
26	323-8	Screw - Cap Hex. Hd.	1
27	67-0360	Bracket - Arm, Idler (Incl. Ref. #28)	1
28	256-155	Bushing	1
29	56-9870	Pulley - Idler, Deck	1
30	67-0330-03	Idler - Plate, Mount	1
31	67-9170	Spring	1
32	3274-4	Pin - Cotter	1
33	283-67	Pin - Clevis	1
34	322-3	Screw - Cap Hex. Hd.	5
35	67-0920	Guide - Belt	1
36	3253-4	Washer - Lock	1
37	322-10	Screw - Cap Hex. Hd.	1
38	32120-64	Ring - Retaining	1
39	67-0900	Belt - Traction	1
40	82-6450	Pulley - Transmission	1
41	3257-23	Key	1
42	147665	Screw - Tapping	2
43	67-0750	Bracket - Mount, Spring	1
44	32144-70	Screw - Hex. Hd. Tapping	1
45	67-0600-03	Lever W.A. - Deck Engage	1
46	67-0640	Handle - Deck Engage	1



C-2106

TRANSMISSION & LINKAGE ASSEMBLY (CONTINUED)

Ref. No.	Part No.	Description	No. Used	Ref. No.	Part No.	Description	No. Used
47	233-22	Knob	1	62	67-0670	Bracket - Engage, Deck	1
48	3256-55	Washer - Fender	2	63	88-9930	Switch - Micro	1
49	67-1400	Transmission	1	64	3290-478	Washer - Belleville	2
50	88-9810-03	Gate - Shift	1	65	67-0660	Bracket - Mount, Shifter	1
51	32144-14	Screw - Wash. Hd., Tap.	4	66	20-3220	Washer - Flat	2
52	56-7620	Lever - Shift	1	67	32151-62	Ring - Retaining	1
53	329-4	Screw - Cap Hex. Hd.	1	68	3290-456	Washer - Belleville	2
54	76-3940-03	Lever W.A. - Shift	1	69	76-3970	Spacer - Pivot	1
55	233-48	Knob	1	70	67-1530	Assembly - Pin, Clevis	1
56	321-15	Screw - Cap Hex. Hd.	1	71	282-27	Clevis	1
57	56-7730	Spring	1	72	3218-2	Nut - Jam	1
58	56-7740	Spacer	1	73	32144-26	Screw - Thread Forming	1
59	321-8	Screw - Cap Hex. Hd.	1	74	3290-354	Nut - Double	1
60	3253-3	Washer - Lock	1	75	76-3820	Anchor - Guide, Belt	2
61	3256-22	Washer - Flat	5	76	76-4660	Spring	1

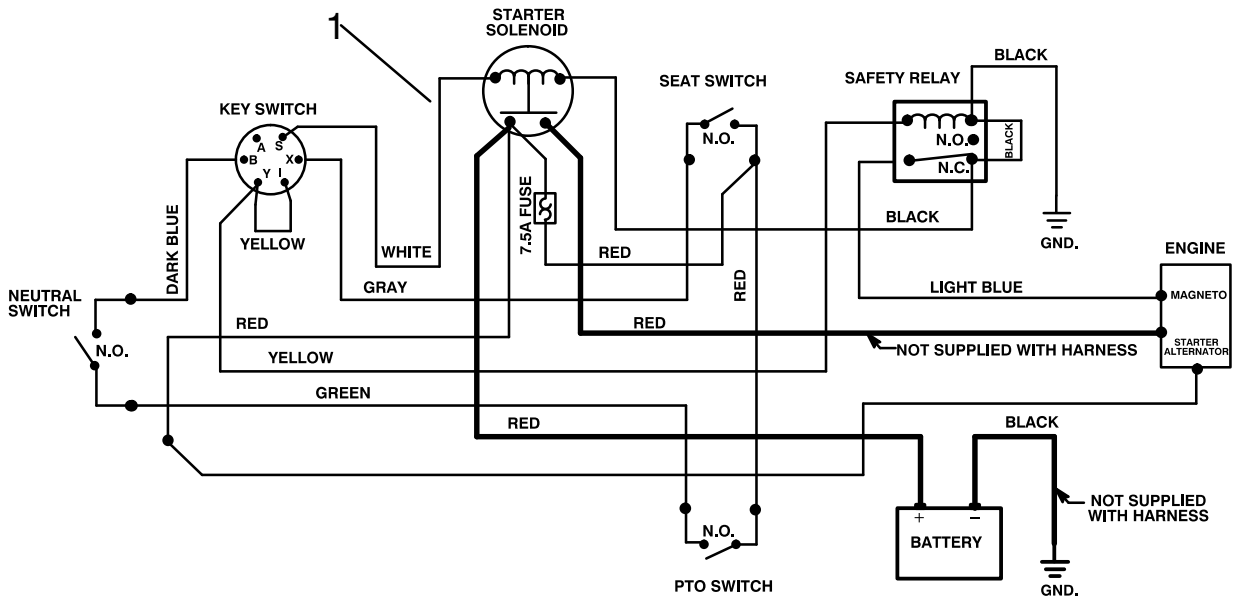


C-1525B

ENGINE ASSEMBLY

Ref. No.	Part No.	Description	No. Used	Ref. No.	Part No.	Description	No. Used
1	3255-7	Washer - Lock, Int. Tooth	1	17	54-3091	Assembly - Wire Battery to Ground	2
2	114621	Decal - Noise	1	18	32144-14	Screw - Self Tapping	1
3	3256-23	Washer - Flat	4	19	322-7	Screw - Cap Hex. Hd.	3
4	32103-14	Nut - Wing	1	20	67-0920	Guide - Belt	1
5	56-7720	Post - Hold Down, Battery	1	21	322-10	Screw - Cap Hex. Hd.	1
6	56-2540	Tube - Drain	1	22	67-0962-01	Guard - Chain	1
7	56-7710	Hold Down - Battery	1	23		Engine - 8 H.P. B & S	1
8	80-2600	Battery 12V	1	24	3296-29	Nut - Lock	5
9	321-4	Screw - Cap Hex. Hd.	2	28	3255-8	Washer - Lock	4
10	32103-22	Nut - Wing	2	29	288-2	Cap - Pipe	1
11	80-4560	Spacer	1	30	289-34	Nipple - Pipe	1
12	322-12	Screw - Cap Hex. Hd.	1	31	2811-17	Elbow - Street	1
13	62-4300	Pad - Anti-Skid	1	32	2812-1	Reducer	1
14	83-4840	Pulley - Engine	1	33	84-8470	Cap - Battery	6
15	3256-25	Washer - Flat	1	*	88-4490	Reducer - Throttle	1
16	62-3760	Screw - Cap Hex. Hd.	1				

*Not Illustrated

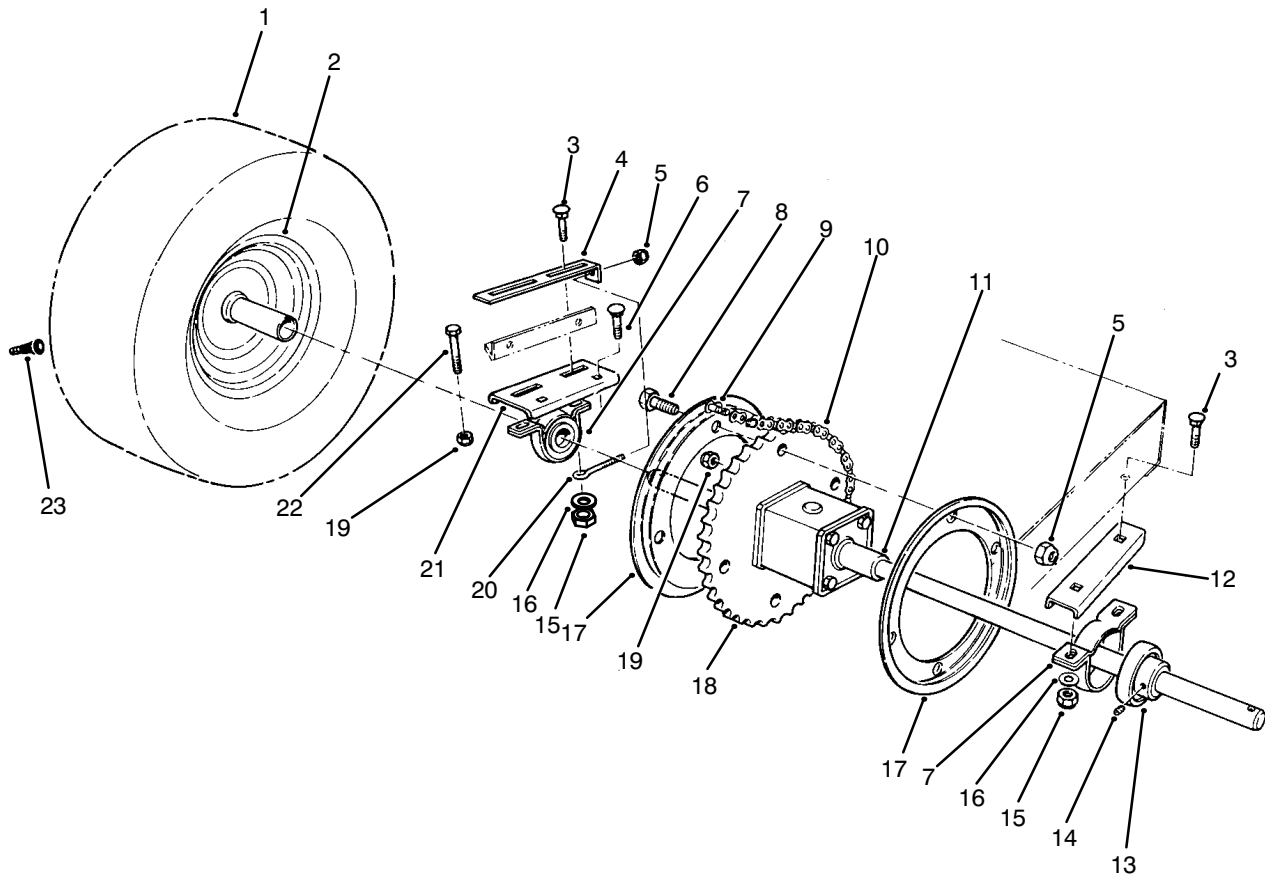


C-1578

ELECTRICAL SCHEMATIC

Ref. No.	Part No.	Description	No. Used
1	88-9870	Harness - Wire	1

Ref. No.	Part No.	Description	No. Used

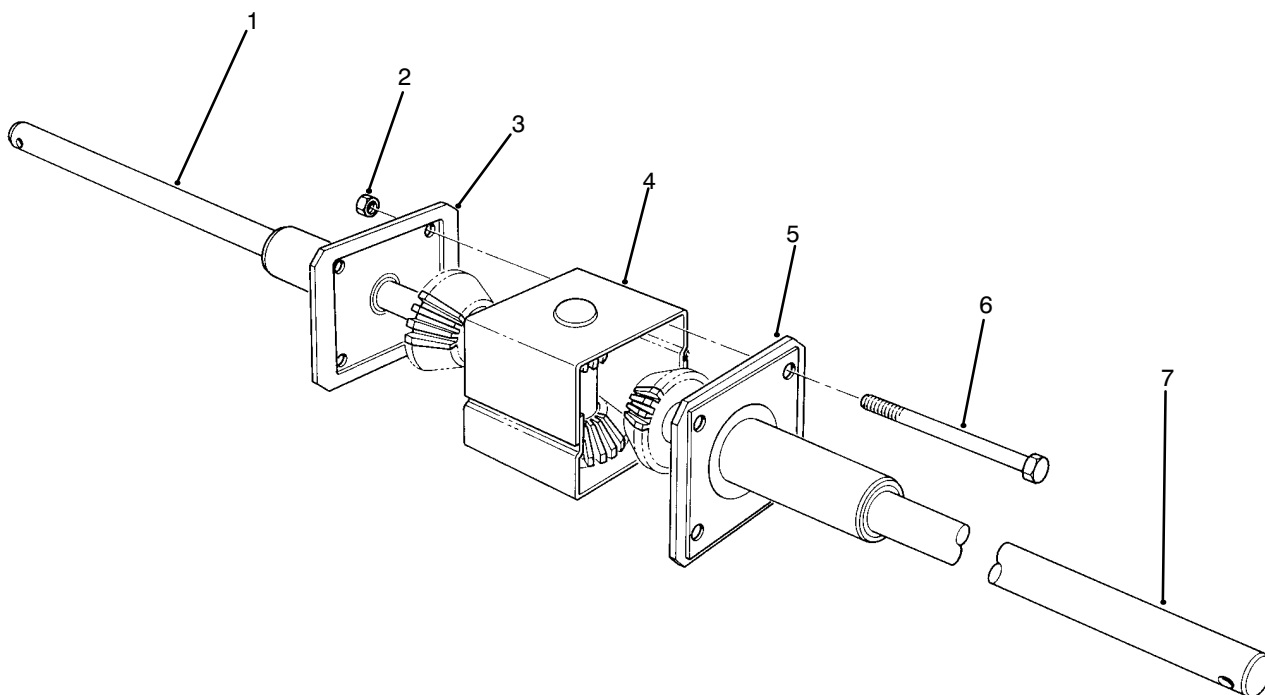


C-0008A

REAR AXLE ASSEMBLY

Ref. No.	Part No.	Description	No. Used	Ref. No.	Part No.	Description	No. Used
1	231-115	Tire	2	13	47-1490	Bearing	2
2	44-9760	Rim	2			(Incl. Ref. #14)	
3	3231-4	Bolt - Carriage	2	14	3245-32	Screw - Set	4
4	61-9990	Plate - Adjusting	1	15	3296-39	Nut - Lock	6
5	3296-42	Nut - Lock	5	16	3256-24	Washer - Flat	4
6	3231-25	Bolt - Carriage	4	17	76-1580-03	Guide - Chain	2
7	47-1480	Mount - Bearing	2	18	76-4010	Sprocket	1
8	321-4	Screw - Cap Hex. Hd.	4	19	3296-29	Nut - Lock	6
9	2710-11	Link - Connecting	1	20	61-9980	Screw - Adjusting	1
10	67-0910	Chain	1	21	66-6620-03	Support R.H.	1
		(Incl. Ref. #9)	1	22	46-2511	Bolt - Axle	2
11	56-9960	Differential	1	23	232-27	Valve Stem w/Cap	2
12	66-6630-03	Support L.H.	1	*	11-0410	Kit - Tire Chains (Optional)	1

*Not Illustrated

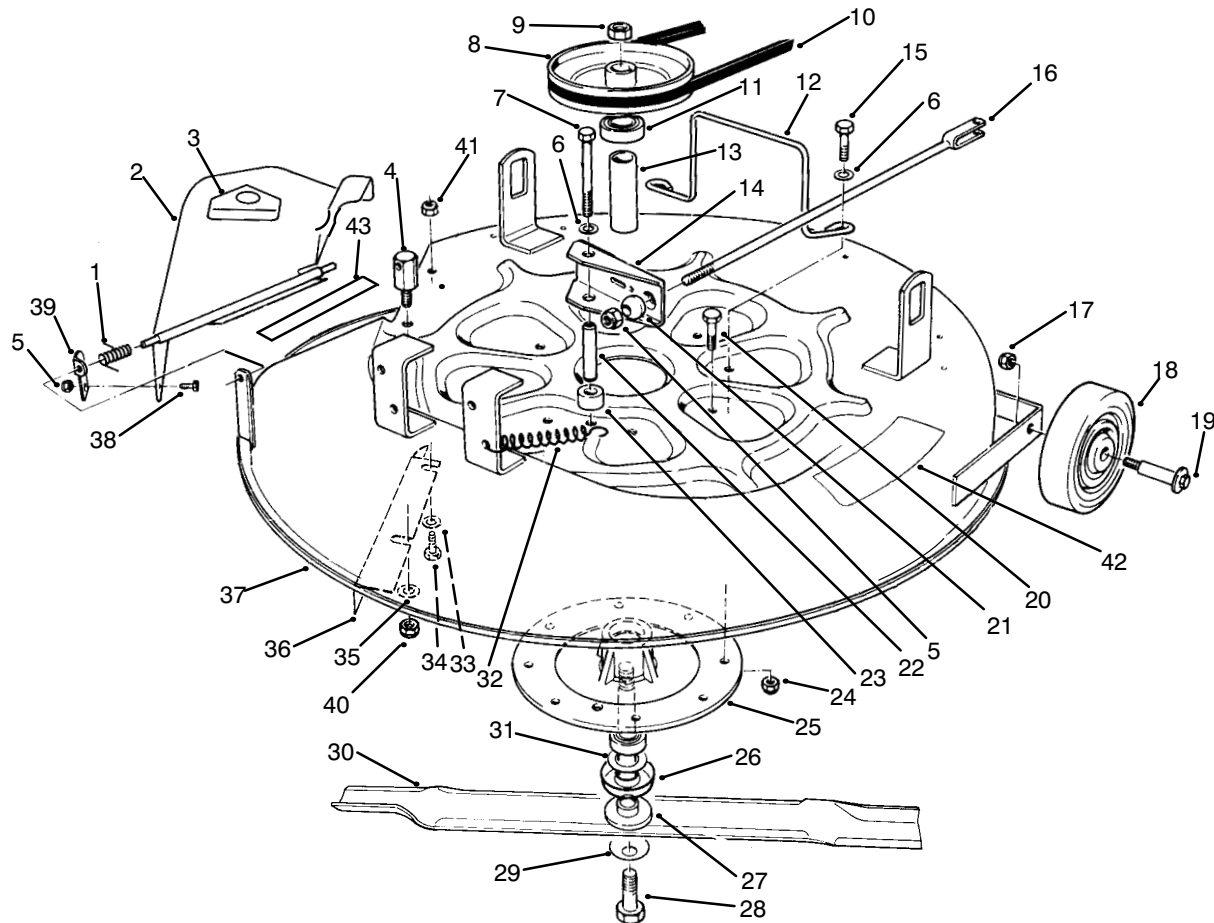


C-0010

DIFFERENTIAL ASSEMBLY

Ref. No.	Part No.	Description	No. Used	Ref. No.	Part No.	Description	No. Used
1	55-7762	Axle - R.H.	1	5	55-7771	Cap - End, L.H.	1
2	32152-1	Nut - Lock	4	6	322-22	Screw - Cap Hex. Hd.	4
3	55-7770	Cap - End, R.H.	1	7	55-7763	Axle - L.H.	1
4	55-7780	Case - Gear, Transfer	1	*	56-9960	Differential - Complete	1

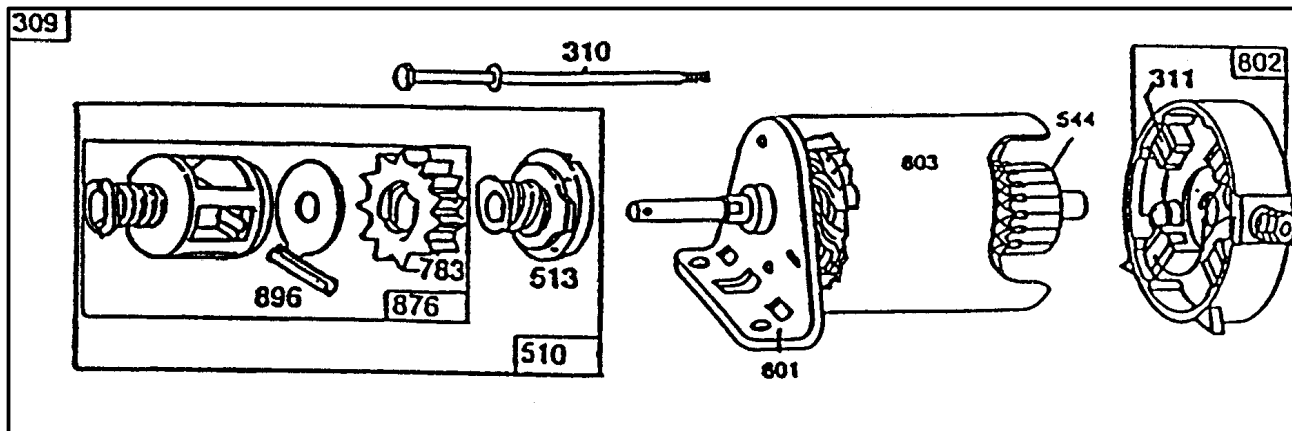
*Not Illustrated



C-0001A

CUTTING UNIT ASSEMBLY

Ref. No.	Part No.	Description	No. Used	Ref. No.	Part No.	Description	No. Used
1	28-8010	Spring	1	23	76-3810	Spacer - Brake, Deck	1
2	67-1150	Deflector (Incl. Ref. #3)	1	24	3296-29	Nut - Lock	9
3	54-9220	Decal - Danger	1	25	67-0970	Hub - Spindle	1
4	67-0140	Post - Pivot	1	26	80-4360	Shield - Bearing	1
5	3296-8	Nut - Lock	2	27	80-4340	Shaft - Spindle	1
6	3256-23	Washer - Lock	3	28	26-0671	Bolt - Blade	1
7	322-19	Screw - Cap Hex. Hd.	1	29	3290-465	Washer - Belleville	1
8	80-4420	Pulley - Deck	1	30	67-0200	Blade	1
9	3219-6	Nut - Hex.	1	31	80-4380	Spacer - Spindle	1
10	67-1390	V-Belt	1	32	67-1440	Spring - Brake	1
11	38-7820	Bearing - Ball	2	33	3256-22	Washer - Flat	1
12	80-4520	Guide - Belt	1	34	3234-21	Screw - Cap Hex. Hd.	1
13	62-3660	Spacer - Bearing	1	35	3256-24	Washer - Flat	1
14	67-1370	Assy. - Brake, Deck	1	36	67-0130-01	Baffle	1
15	322-6	Screw - Cap Hex. Hd.	2	37	16-2199	Deck (Incl. Ref. #42)	1
16	67-0570	Rod W.A. - Brake, Deck	1	38	321-4	Screw - Cap Hex. Hd.	1
17	3296-39	Nut - Lock	2	39	67-1600-01	Bracket - Deflector	1
18	61-9760	Wheel - Deck	2	40	3296-59	Nut - Lock	1
19	56-6590	Bolt - Wheel	2	41	3296-42	Nut - Lock	1
20	322-3	Screw - Cap Hex. Hd.	6	42	76-4070	Decal - Danger	1
21	67-0710	Ball - Swivel	1	43	68-3650	Decal - Warning	1
22	67-0730	Post - Mount, Brake	1				



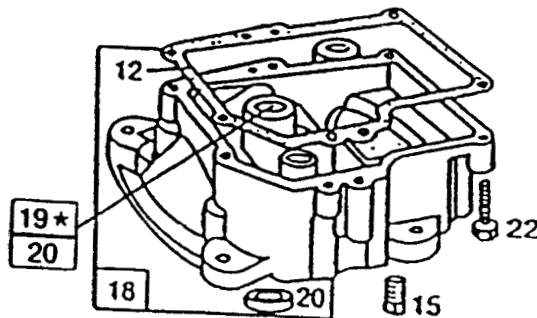
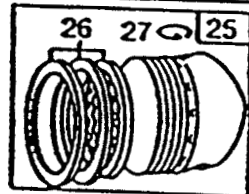
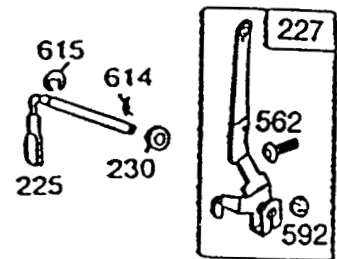
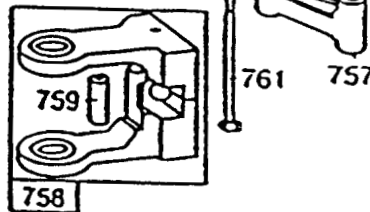
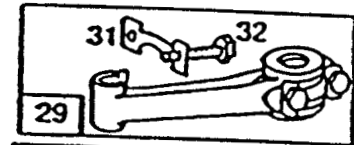
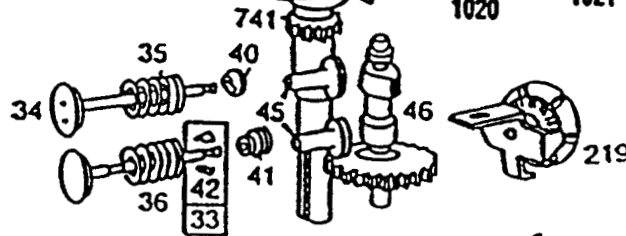
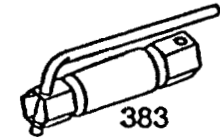
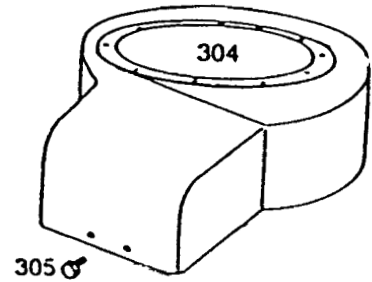
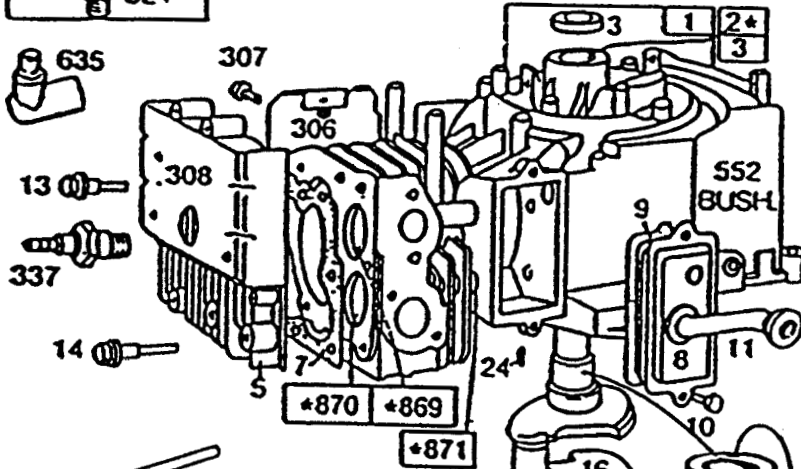
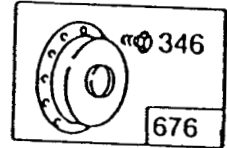
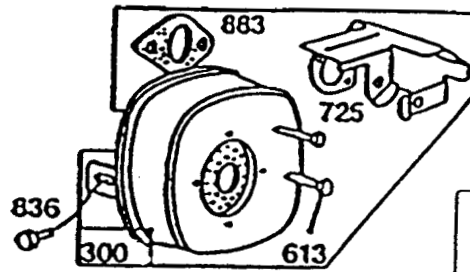
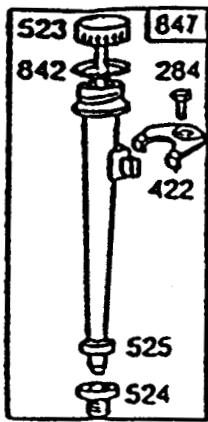
C-0784

STARTER – BRIGGS & STRATTON NO. 195707-0121-01

Ref. No.	Part No.	Description	No. Used
309	394805	Assembly – Motor & Drive	1
310	94003	Assembly – Thru Bolt	2
311	395538	Assembly – Brush	2
510	490421	Assembly – Drive (Incl. Ref. #513, 783, 876 & 896)	1
513	398003	Assembly – Clutch	1
544	390837	Assembly – Armature	1

Ref. No.	Part No.	Description	No. Used
783	280104	Gear	1
801	394856	Assembly – End Cap	1
802	395537	Assembly – Commutator, End Cap	1
803	398159	Assembly – Housing (3-21/32" Long)	1
876	490467	Kit – Retainer	1
896	94288	Pin – Roll	1

BRIGGS & STRATTON MODEL NO. 195707-0121-01



358 GASKET SET

* REQUIRES SPECIAL TOOLS TO INSTALL.
SEE REPAIR INSTRUCTION MANUAL.

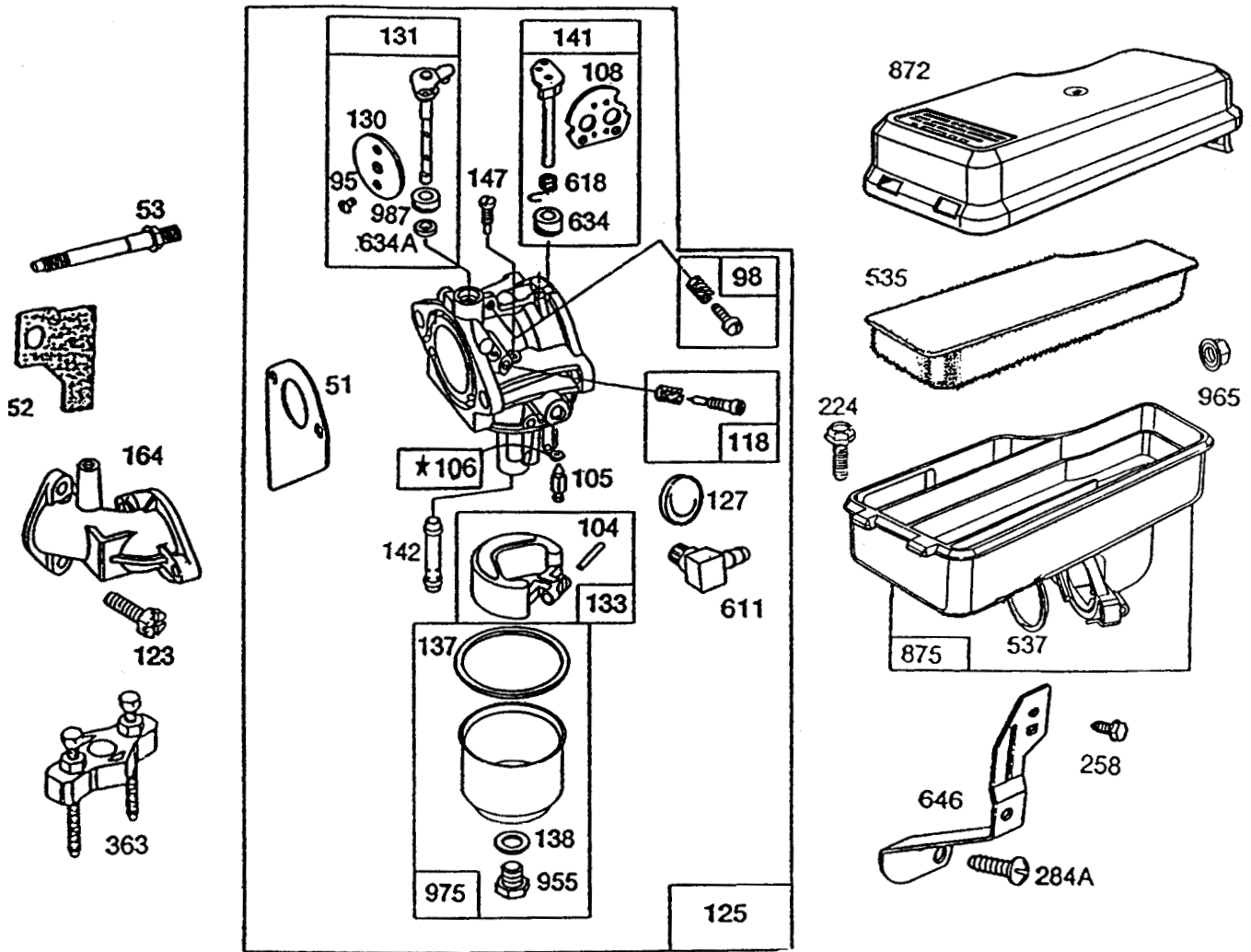
Assemblies include all parts shown in frames.

BRIGGS & STRATTON MODEL NO. 195707-0121-01

Ref. No.	Part No.	Description	No. Used	Ref. No.	Part No.	Description	No. Used
1	396269	Assembly – Cylinder	1	32	92659	Screw – Connecting Rod	1
2	399267	Bearing – Cylinder Note: Requires special tools for installation.	1	33	390419	Valve – Exhaust	1
3	294606	Seal – Oil	1	34	261055	Valve – Intake	1
5	212286	Head – Cylinder	1	35	65906	Spring – Valve, Intake	1
*7	272163	Gasket – Head, Cylinder	1	36	26828	Spring – Valve, Exhaust	1
8	391406	Assembly – Breather	1	40	221596	Retainer – Valve, Intake	1
*9	27803	Gasket – Cover, Valve	1	41	292260	Rotocoil – Valve, Exhaust	1
10	94621	Screw	1	42	93630	Retainer – Valve, Exhaust Rotocoil	2
11	280005	Tube – Breather	1	45	260933	Tappet – Valve	1
*12	271701	Gasket – Cover, Crankcase 1/64" Thick	1	46	211689	Gear – Cam	1
*	27876	Gasket – Cover, Crankcase .005" Thick	1	225	231058	Crank – Gov. (1/4" Dia.)	1
*	27877	Gasket – Cover, Crankcase .009" Thick	1	227	43935	Assy. Lever – Governor for 1/4" Dia. Crank	1
13	94565	Screw – Head, Cylinder	1	230	222450	Washer – Lever, Governor (1/4" Inside Diameter)	1
14	93723	Screw – Head, Cylinder (3" Long)	1	284	94419	Screw – Clamp, Mounting	1
15	94239	Plug – Drain, Oil	1	300	398507	Muffler – Exhaust	1
16	396876	Crankshaft Note: Order Part 94388 for timing gear pin replacement.	1	304	494084	Housing – Blower	1
18	392548	Base – Engine	1	305	94608	Screw – Blower Hsg., Sems	1
19	295963	Bushing – Base, Engine Note: Requires special tool for installation.	1	306	224543	Shield – Cylinder	1
20	391086	Seal – Oil	1	307	93949	Screw – Shield, Cylinder	1
22	93585	Screw – Base, Mounting	1	308	222636	Cover – Head, Cylinder	1
24	222698	Key – Flywheel	1	337	802592	Plug – Spark	1
25	391673	Assy. – Piston, Std.	1	346	93705	Screw	1
	391674	Assy. – Piston, .010" O.S.	1	358	299577	Gasket Set	1
	391675	Assy. – Piston, .020" O.S.	1	383	89838	Wrench – Spark Plug	1
	391676	Assy. – Piston, .030" O.S.	1	422	223394	Clamp – Tube, Oil Filler	1
		PISTON RING SETS Note: For Chrome Piston Ring Set – Standard Size – Order No. 299743.		523	391840	Cap & Dipstick – Oil Filler	1
26	391669	Ring Set – Piston, Std.	1	524	68838	Seal – Tube, Filler	1
	391670	Ring Set – Piston, .010" O.S.	1	525	280133	Tube – Filler, Oil	1
	391671	Ring Set – Piston, .020" O.S.	1	527	221428	Clamp	1
	391672	Ring Set – Piston, .030" O.S.	1	552	491986	Bushing – Crank, Gov.	1
27	68546	Lock – Piston Pin	1	562	92613	Bolt – Lever, Governor	1
28	295840	Assy. – Piston Pin, Std.	1	592	231082	Nut – Hex.	1
	295841	Assy. – Piston Pin, .005" O.S.	1	613	94042	Screw – Muffler	1
29	390402	Assy. – Rod, Connecting Note: For Connecting Rod with .020" Undersize Crankpin Bore – Order No. 390773.	1	614	93306	Pin – Hair, Cotter	1
31	222114	Lock – Screw, Conn. Rod	1	615	93307	Retainer – E-Ring	1
				635	66538	Elbow – Plug, Spark	1
				676	395700	Deflector – Exhaust	1
				683	93572	Screw	1
				725	223540	Shield – Muffler	1
				741	262479	Gear – Timing	1
				757	212359	Link – Counterweight	1
				758	390172	Assy. – Counterweight	1
				759	298909	Pin – Counterweight	1
				761	93874	Screw – Counterweight	1
				836	93559	Screw	1
				842	270920	Seal – Cap, Filler	1
				847	392066	Filler Group – Oil	1
				869	211661	Seat – Valve, Intake (Std.)	1
				870	211661	Seat – Valve, Exhaust (Std.)	1
				871	231218	Guide – Exhaust or Intake Valve, See repair manual	1
				883	272309	Gasket – Pipe, Exhaust	1
				1020	261190	Eccentric	1
				1021	94160	Pin – Eccentric	1

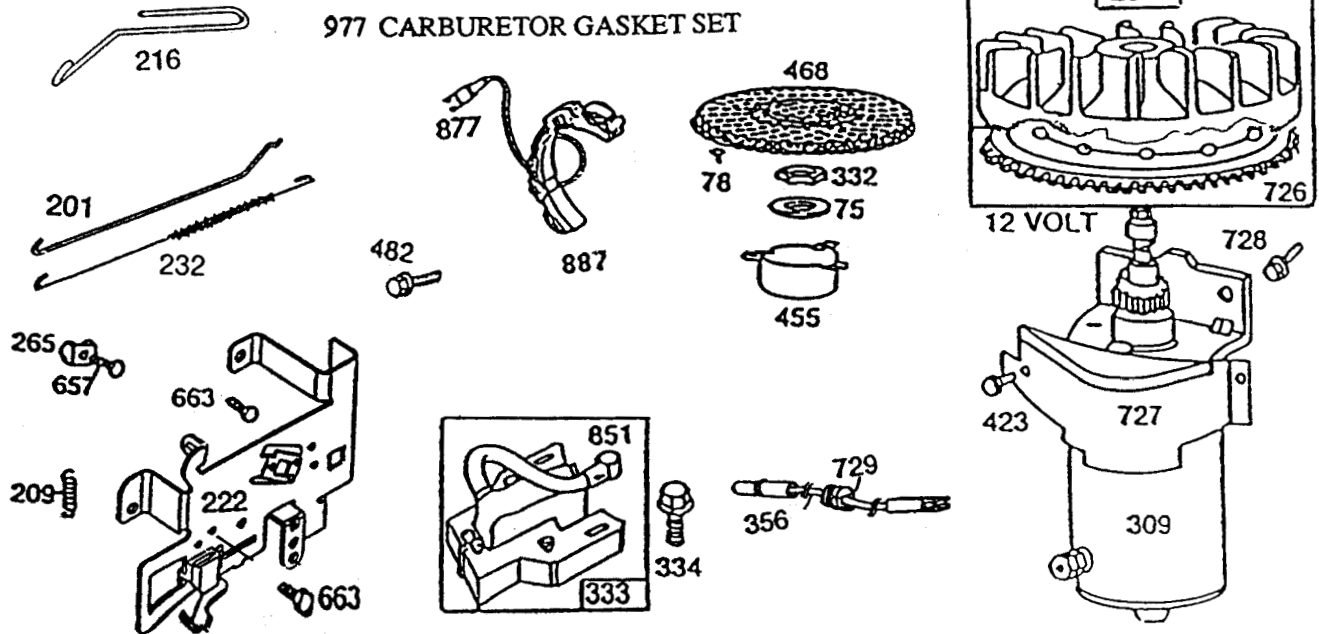
*Included in Gasket Set – Part No. 299577.

BRIGGS & STRATTON MODEL NO. 195707-0121-01



121 CARBURETOR OVERHAUL KIT

977 CARBURETOR GASKET SET



* REQUIRES SPECIAL TOOLS TO INSTALL.
SEE REPAIR INSTRUCTION MANUAL.

Assemblies include all parts shown in frames.

BRIGGS & STRATTON MODEL NO. 195707-0121-01

Ref. No.	Part No.	Description	No. Used	Ref. No.	Part No.	Description	No. Used
223	391983	Flywheel and Ring Gear Assy. - Magneto (Incl. Aluminum Ring Gear)	1			See Chart for Replacement Parts for Starting Motor on Illustrated Pages	1
*#51	272465	Gasket - Carburetor (Carb. to Elbow)	1	332	92284	Nut - Flywheel	1
‡52	270824	Gasket - Carb. Mtg.	1	333	398811	Armature Assembly	1
53	94637	Stud - Gasket Mtg.	1	334	93381	Screw - Armature Mtg. Sem	1
75	224061	Washer - Spring	1	356	494328	Wire - Ground	1
78	93805	Screw - Sem	1	363	19165	Puller - Flywheel	1
*95	94098	Screw - Throttle	1	423	94073	Screw - Sem	1
98	494382	Screw - Idle Speek	1	455	222561	Cup - Screen Mounting	1
*104	231789	Pin - Float Hinge	1	468	222562	Screen - Flush Rotating	1
*105	231790	Valve Assy. - Inlet Needle	1	482	93621	Screw - Sem	1
*106	281169	Inlet Valve Seat	1	535	272405	Element - Foam Air Cleaner	1
108	224540	Valve - Choke	1	537	281106	O-Ring - Air Cleaner	1
118	494383	Valve - Needle	1	611	494451	Fuel Inlet Tube	1
121	494880	Carburetor Overhaul Kit	1	618	262803	Spring - Choke Return	1
123	94616	Screw - Carburetor Mtg.	1	*634	281168	Seal - Choke Shaft	1
125	494894	Carburetor Assembly	1	*634A	281167	Washer - Throttle Shaft	1
*127		Plug - Welch (Kit Only)	1	646	224614	Brace - Air Cleaner	1
130	224668	Valve - Throttle	1	657	93496	Screw - Sem	1
131	494885	Shaft & Lever - Throttle	1	663	94419	Screw	1
133	494381	Float - Carburetor	1	726	392134	Gear - Ring (Aluminum) (Incl. Mtg. Parts)	1
*#137	281165	Gasket - Float Bowl	1	727	395405	Cover - Starter (Incl. Mtg. Screws)	1
*#138	281164	Washer - Float Bowl	1	728	93535	Screw - Sem	1
141	494380	Shaft & Lever - Choke	1	729	281159	Clip - Lead Wire	1
*142	494877	Nozzle - Carburetor	1	851	221798	Terminal - Ignition Cable	1
*147	231794	Screw - Nozzle	1	872	281108	Cover - Air Cleaner	1
164	213819	Carburetor Elbow	1	875	494745	Body - Air Cleaner	1
201	262769	Link - Governor	1	877	393814	Diode & Connector Assy.	1
209	260871	Spring - Governor	1	887	391529	Stator Assembly - Alternator (D.C.)	1
216	262768	Link - Choke	1	955	94642	Screw - Fuel Bowl	1
222	493896	Plate - Gov. Plate	1	965	94108	Nut - Lock	1
224	94513	Screw - Sem	1	975	494378	Bowl Assy. - Carburetor	1
232	262787	Spring - Governor Link	1	*987	281166	Seal - Throttle Shaft	1
258	94620	Screw - Hex. Tapping	1				
265	221535	Clamp - Casing	1				
284A	94326	Screw - Brace Mtg.	1				
309		Motor - Starting (12 Volt)	1				

*Included in Carburetor Overhaul Set - Part No. 494880.

#Included in Carburetor Gasket Set - Part No. 494385.

‡Included in Gasket Set - Part No. 299577.

TORO PART NUMBER INDEX

3317-122A

Part No.	Description	Pg. No.	Ref. No.	Qty.	Part No.	Description	Pg. No.	Ref. No.	Qty.
110513	Bearing	4	16	4	66-6620-03	Support R.H.	10	21	1
114621	Decal - Noise	8	2	1	66-6630-03	Support L.H.	10	12	1
147665	Screw - Tapping	6	42	2	66-6640	Control - Throttle	5	34	1
11-0410	Kit - Tire Chains (Optional)	10	*	1	66-6680	Seat	3	1	1
12-5820	Pulley - Idler, Traction	6	25	1	66-6920	Pad - Isolator	3	17	2
12-9020	Retainer - Belt	6	21	1	67-0010-03	Lift W.A. - Front, Deck	2	5	1
13-6049	Kit - Loose parts	2	*	1	67-0050-01	Tube W.A. - Support, Rear	2	11	1
16-2199	Deck	12	37	1	67-0080	Link - H.O.C.	5	23	1
18-2970	R-Clamp	3	4	1	67-0130-01	Baffle	12	36	1
19-1470	Bolt - Shoulder	1	18	1	67-0140	Post - Pivot	12	4	1
19-1610-03	Lever - Brake, Parking	1	19	1	67-0200	Blade	12	30	1
19-1970	Spring - Brake, Parking	1	13	1	67-0231-01	Body W.A. - Rear	5	13	1
19-2200	Tip - Brake, Parking	1	20	1	67-0270	Handle W.A. - H.O.C.	5	21	1
20-3220	Washer - Flat	7	66	2	67-0330-03	Idler - Plate, Mount	6	30	1
26-0671	Bolt - Blade	12	28	1	67-0360	Bracket - Arm, Idler	6	27	1
26-6700	Spring - Return, Brake	6	10	1	67-0400	Mount - Pivot	6	19	1
26-9530	Washer - Pivot	1	8	1	67-0410	Spacer - Pivot	6	16	1
28-0540	Bolt - Shoulder	5	18	1	67-0420-03	Plate - Mount, Idler	6	18	1
28-2480	Washer - Flat	4	2	2	67-0430	Rod - Clutch	2	6	1
28-8010	Spring	12	1	1	67-0440	Spacer - Steering	2	32	1
38-1420	Switch - Seat	3	3	1	67-0450-01	Frame W.A. - Front	2	25	1
38-7820	Bearing - Ball	12	11	2	67-0520-01	Channel - R.H.	2	3	1
40-8200	Switch - Micro	5	27	1	67-0530-01	Channel - L.H.	2	24	1
44-7030	Tread - Foot Rest	1	3	2	67-0540-03	Tube W.A. - Pivot	6	6	1
44-7140-01	Mount - Bearing, Axle	2	2	1	67-0570	Rod W.A. - Brake, Deck	12	16	1
44-9760	Rim	10	2	2	67-0600-03	Lever W.A. - Deck Engage	6	45	1
46-2511	Bolt - Axle	10	22	2	67-0640	Handle - Deck Engage	6	46	1
46-2511	Bolt - Mounting, Axle	2	19	2	67-0660	Bracket - Mount, Shifter	7	65	1
47-1480	Mount - Bearing	10	7	2	67-0670	Bracket - Engage, Deck	7	62	1
47-1490	Bearing	10	13	2	67-0690-03	Flat - Deck Engage	6	3	1
47-1910	Solenoid	5	31	1	67-0710	Ball - Swivel	12	21	1
47-2964	Hose - Gas	3	9	2	67-0730	Post - Mount, Brake	12	22	1
47-2986	Hose - Gas	3	5	1	67-0750	Bracket - Mount, Spring	6	43	1
48-4700	Relay	5	17	1	67-0790-03	Support W.A. - Seat	5	10	1
49-3242	Wheel - Steering	2	34	1	67-0800-01	Spindle - R.H.	4	15	1
54-3091	Assembly - Wire	8	17	2	67-0810-01	Spindle - L.H.	4	12	1
54-9220	Decal - Danger	12	3	1	67-0830-03	Shaft W.A. - Steering	2	26	1
55-3576	Assembly - Cap, Gas	3	8	1	67-0850	Bushing - Steering	2	29	2
55-7101	Tower	1	22	1	67-0860	Washer - Steering	2	30	1
55-7762	Axle - R.H.	11	1	1	67-0870	Bolt - Shoulder	5	22	2
55-7763	Axle - L.H.	11	7	1	67-0870	Bolt - Shoulder	2	27	2
55-7770	Cap - End, R.H.	11	3	1	67-0880	Assembly - Tie Rod	4	11	2
55-7771	Cap - End, L.H.	11	5	1	67-0900	Belt - Traction	6	39	1
55-7780	Case - Gear, Transfer	11	4	1	67-0910	Chain	10	10	1
56-2540	Tube - Drain	8	6	1	67-0920	Guide - Belt	8	20	1
56-6360	Filter	3	10	1	67-0920	Guide - Belt	6	35	1
56-6590	Bolt - Wheel	12	19	2	67-0930	Guide R.H. - Belt, Engine	6	8	1
56-7620	Lever - Shift	7	52	1	67-0940	Guide L.H. - Belt, Engine	6	14	1
56-7710	Hold Down - Battery	8	7	1	67-0950	Strap - Tank, Gas	3	6	2
56-7720	Post - Hold Down, Battery	8	5	1	67-0962-01	Guard - Chain	8	22	1
56-7730	Spring	7	57	1	67-0970	Hub - Spindle	12	25	1
56-7740	Spacer	7	58	1	67-0990	Axle - Front	4	9	1
56-9870	Pulley - Idler, Deck	6	29	1	67-1030	Cover - Panel, Control	5	42	1
56-9960	Differential	10	11	1	67-1070-01	Body W.A. - Front	1	15	1
56-9960	Differential - Complete	11	*	1	67-1090-01	Support W.A. - Seat	5	29	1
61-9760	Wheel - Deck	12	18	2	67-1130-03	Pedal - Brake & Clutch	1	14	2
61-9780	Cap - Hub	4	1	2	67-1150	Deflector	12	2	1
61-9980	Screw - Adjusting	10	20	1	67-1241	Base - Seat	3	2	1
61-9990	Plate - Adjusting	10	4	1	67-1330-03	Lever - Brake, Bellcrank	1	10	1
62-3660	Spacer - Bearing	12	13	1	67-1340	Rod - Brake, Transmission	1	9	1
62-3760	Screw - Cap Hex. Hd.	8	16	1	67-1350	Rod - Front, Brake	1	12	1
62-4300	Pad - Anti-Skid	8	13	1	67-1370	Assy. - Brake, Deck	12	14	1
63-8360	Key	5	40	2	67-1390	V-Belt	12	10	1
65-2920	Pad - Pedal	1	17	2	67-1400	Transmission	7	49	1

*Not Illustrated

TORO PART NUMBER INDEX (Cont.)

Part No.	Description	Pg. No.	Ref. No.	Qty.	Part No.	Description	Pg. No.	Ref. No.	Qty.
67-1430	Spring - Compression	1	7	1	2412-98	Clamp - Hose	3	11	5
67-1440	Spring - Brake	12	32	1	256-90	Bushing	6	5	3
67-1450	Spring - Extension	1	11	1	256-155	Bushing	6	28	1
67-1460	Washer - Flat	2	15	2	2710-11	Link - Connecting	10	9	1
67-1480	Brace - Support, Seat	5	8	2	282-27	Clevis	2	7	1
67-1500-03	Bar - Stand	5	5	1	282-27	Clevis	7	71	1
67-1510-03	Brace - Stop, Deck	2	13	2	283-67	Pin - Clevis	6	33	1
67-1530	Assembly - Pin, Clevis	7	70	1	288-2	Cap - Pipe	8	29	1
67-1590	Bracket - Brake Return	1	6	1	289-34	Nipple - Pipe	8	30	1
67-1600-01	Bracket - Deflector	12	39	1	2811-17	Elbow - Street	8	31	1
67-9170	Spring	6	31	1	2812-1	Reducer	8	32	1
68-3650	Decal - Warning	12	43	1	302-5	Fitting - Grease	4	4	4
68-8370	Link - Deck Engage	6	4	1	321-4	Screw - Cap Hex. Hd.	10	8	4
68-8380	Spacer - Stop, Deck	2	17	2	321-4	Screw - Cap Hex. Hd.	8	9	2
68-9950	Spring - Traction	6	15	1	321-4	Screw - Cap Hex. Hd.	6	17	2
71-8310	Spring - Prop, Seat	5	1	1	321-4	Screw - Cap Hex. Hd.	12	38	1
76-1580-03	Guide - Chain	10	17	2	321-8	Screw - Cap Hex. Hd.	7	59	1
76-1620	Decal - Instruction	1	1	1	321-15	Screw - Cap Hex. Hd.	7	56	1
76-3790	Lever W.A. - H.O.C.	2	18	2	322-3	Screw - Cap Hex. Hd.	2	1	6
76-3810	Spacer - Brake, Deck	12	23	1	322-3	Screw - Cap Hex. Hd.	5	9	4
76-3820	Anchor - Guide, Belt	7	75	2	322-3	Screw - Cap Hex. Hd.	3	14	4
76-3890	Bracket - Link, H.O.C.	2	10	1	322-3	Screw - Cap Hex. Hd.	12	20	6
76-3940-03	Lever W.A. - Shift	7	54	1	322-3	Screw - Cap Hex. Hd.	6	34	5
76-3970	Spacer - Pivot	7	69	1	322-5	Screw - Cap Hex. Hd.	5	7	4
76-4010	Sprocket	10	18	1	322-6	Screw - Cap Hex. Hd.	6	11	1
76-4070	Decal - Danger	12	42	1	322-6	Screw - Cap Hex. Hd.	12	15	2
76-4080	Decal	2	36	1	322-7	Screw - Cap Hex. Hd.	8	19	3
76-4090-01	Plate - Engine	6	13	1	322-10	Screw - Cap Hex. Hd.	8	21	1
76-4660	Spring	7	76	1	322-10	Screw - Cap Hex. Hd.	6	37	1
80-2600	Battery 12V	8	8	1	322-12	Screw - Cap Hex. Hd.	8	12	1
80-4330	Prop - Seat	5	32	1	322-14	Screw - Cap Hex. Hd.	2	23	2
80-4340	Shaft - Spindle	12	27	1	322-19	Screw - Cap Hex. Hd.	12	7	1
80-4360	Shield - Bearing	12	26	1	322-22	Screw - Cap Hex. Hd.	11	6	4
80-4380	Spacer - Spindle	12	31	1	323-8	Screw - Cap Hex. Hd.	6	26	1
80-4420	Pulley - Deck	12	8	1	323-9	Screw - Cap Hex. Hd.	6	24	1
80-4520	Guide - Belt	12	12	1	323-10	Screw - Cap Hex. Hd.	2	16	2
80-4550	Rod - Base, Seat	5	33	1	329-4	Screw - Cap Hex. Hd.	7	53	1
80-4560	Spacer	8	11	1	3218-1	Nut - Jam	5	16	2
80-4580	Tank - Gas	3	7	1	3218-2	Nut - Jam	7	72	1
82-6450	Pulley - Transmission	6	40	1	3219-6	Nut - Hex.	12	9	1
83-4840	Pulley - Engine	8	14	1	3230-2	Bolt - Carriage	6	12	1
84-8470	Cap - Battery	8	33	6	3230-3	Bolt - Carriage	5	3	2
88-4490	Reducer - Throttle	8	*	1	3230-20	Bolt - Carriage	5	11	1
88-9810-03	Gate - Shift	7	50	1	3230-20	Bolt - Carriage	3	16	6
88-9830	Switch - Ignition	5	36	1	3231-4	Bolt - Carriage	10	3	2
88-9840	Insert - Wheel, Steering	2	35	1	3231-25	Bolt - Carriage	10	6	4
88-9870	Harness - Wire	9	1	1	3234-21	Screw - Cap Hex. Hd.	12	34	1
88-9930	Switch - Micro	7	63	1	3245-32	Screw - Set	10	14	4
92-7976	Decal - Panel, Control	5	39	1	3253-3	Washer - Lock	7	60	1
92-7977	Decal - H.O.C. Deck	5	24	1	3253-4	Washer - Lock	6	36	1
92-7978	Decal - Insignia	5	14	1	3254-5	Washer - Lock, Int. Tooth	5	37	1
92-7979	Decal - Toro L.H.	5	12	1	3255-7	Washer - Lock, Int. Tooth	8	1	1
92-7980	Decal - Toro R.H.	5	*	1	3255-7	Washer - Lock, Int. Tooth	5	15	2
92-7981	Decal - Toro	1	21	1	3255-8	Washer - Lock	8	28	4
217-80	Rim	4	5	2	3256-14	Washer - Flat	5	45	1
218-461	Nut - Hex.	5	38	1	3256-22	Washer - Flat	5	4	1
231-115	Tire	10	1	2	3256-22	Washer - Flat	12	33	1
231-116	Tire	4	3	2	3256-22	Washer - Flat	7	61	5
232-27	Valve Stem w/Cap	4	17	2	3256-23	Washer - Flat	8	3	4
232-27	Valve Stem w/Cap	10	23	2	3256-23	Washer - Flat	5	6	4
233-22	Knob	5	25	1	3256-23	Washer - Flat	6	9	3
233-22	Knob	7	47	1	3256-23	Washer - Flat	3	15	8
233-48	Knob	7	55	1	3256-23	Washer - Lock	12	6	3
233-59	Knob	5	35	1	3256-24	Washer - Flat	10	16	4

*Not Illustrated

TORO PART NUMBER INDEX (Cont.)

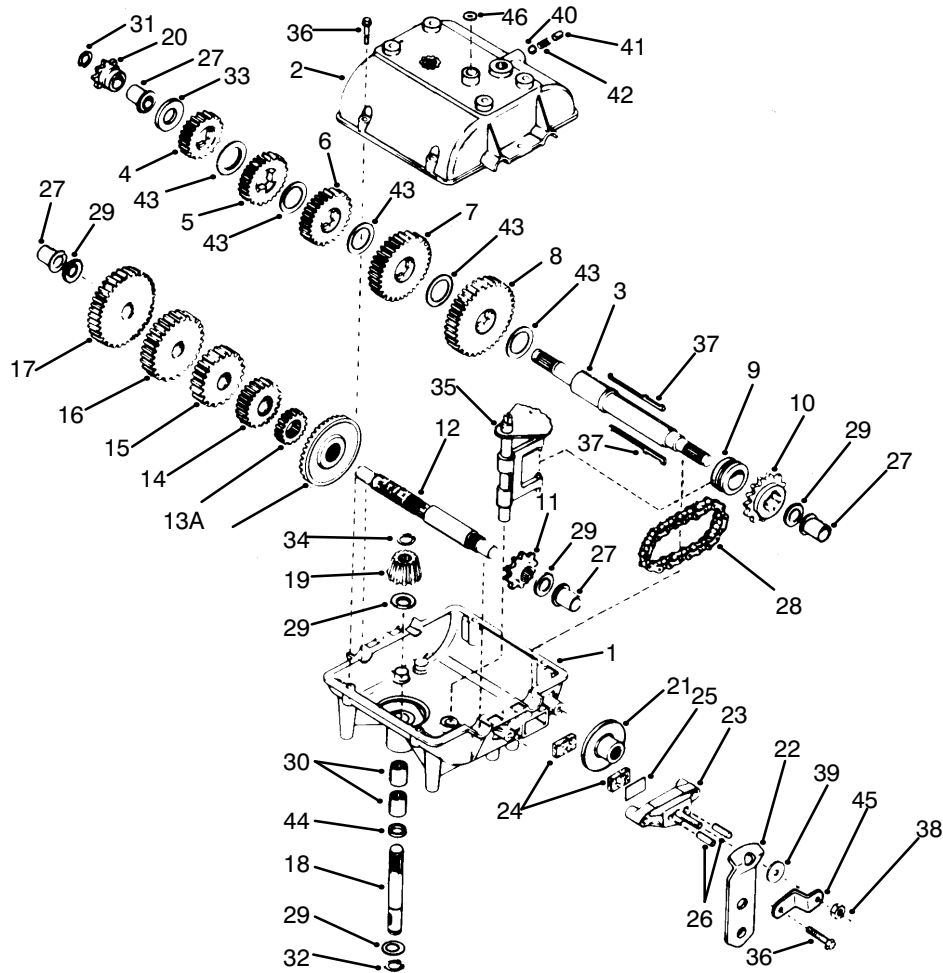
3317-122A

Part No.	Description	Pg. Ref. No. No. Qty.	Part No.	Description	Pg. Ref. No. No. Qty.
3256-24	Washer - Flat	6 22 3	3296-29	Nut - Lock	10 19 6
3256-24	Washer - Flat	12 35 1	3296-29	Nut - Lock	12 24 9
3256-25	Washer - Flat	8 15 1	3296-29	Nut - Lock	8 24 5
3256-26	Washer - Flat	4 13 1	3296-39	Nut - Lock	6 1 1
3256-29	Washer - Flat	2 21 2	3296-39	Nut - Lock	2 12 5
3256-55	Washer - Fender	7 48 2	3296-39	Nut - Lock	10 15 6
3257-23	Key	6 41 1	3296-39	Nut - Lock	12 17 2
3272-6	Pin - Cotter	6 2 1	3296-39	Nut - Lock	5 20 1
3272-6	Pin - Cotter	2 9 2	3296-42	Nut - Lock	10 5 5
3272-12	Pin - Cotter	4 18 2	3296-42	Nut - Lock	6 20 5
3272-23	Pin - Cotter	2 20 2	3296-42	Nut - Lock	5 30 2
3274-4	Pin - Cotter	5 43 1	3296-42	Nut - Lock	12 41 1
3274-4	Pin - Cotter	6 32 1	3296-59	Nut - Lock	6 23 2
3290-134	Screw - Cap Mach. Hd.	5 46 1	3296-59	Nut - Lock	12 40 1
3290-250	Pin - Hair, Cotter	2 22 1	32103-14	Nut - Wing	8 4 1
3290-250	Pin - Hair, Cotter	1 16 2	32103-22	Nut - Wing	8 10 2
3290-313	Screw - Pan Head	5 26 2	32104-110	Screw - Cap Hex. Hd.	1 4 4
3290-347	Nut - U-Type	1 5 4	32120-64	Ring - Retaining	6 38 1
3290-354	Nut - Double	5 28 1	32121-32	Pin - Roll	2 31 1
3290-354	Nut - Double	7 74 1	32121-78	Pin - Roll	2 33 1
3290-355	Pin - Hair, Cotter	2 14 2	32144-14	Screw - Self Tapping	8 18 1
3290-378	Tie - Cable	3 13 1	32144-14	Screw - Wash. Hd., Tap.	7 51 4
3290-413	Washer - Belleville	5 19 7	32144-26	Screw - Thread Forming	7 73 1
3290-413	Washer - Belleville	2 28 4	32144-42	Screw - Hex. Hd. Tapping	5 41 4
3290-456	Washer - Belleville	7 68 2	32144-70	Screw - Hex. Hd. Tapping	6 44 1
3290-465	Washer - Belleville	12 29 1	32151-48	Ring - Retaining	4 6 2
3290-478	Washer - Belleville	7 64 2	32151-62	Ring - Retaining	7 67 1
3296-2	Nut - Lock	5 44 1	32152-1	Nut - Lock	11 2 4
3296-4	Nut - Lock	4 8 4			
3296-8	Nut - Lock	12 5 2			
3296-25	Nut - Lock	4 14 1			
3296-29	Nut - Lock	1 2 5			
3296-29	Nut - Lock	5 2 11			
3296-29	Nut - Lock	2 4 16			
3296-29	Nut - Lock	6 7 8			
3296-29	Nut - Lock	3 12 4			

OPTIONAL EQUIPMENT

- Easy Empty Bagging Kit Model No. 79090
- Twin Bag Bagger Kit Model No. 79080
- Tire Chains Part No. 11-0410
- Recycler Kit Model No. 59169

*Not Illustrated



C-0441

TRANSMISSION PEERLESS MODEL 700-025

Ref. No.	Part No.	Description	No. Used	Ref. No.	Part No.	Description	No. Used
1	770061	Case – Transmission	1	24	790006	Pad – Brake	2
2	772083	Cover – Transmission	1	25	790007	Plate – Pad, Brake	1
3	776217	Shaft – Output	1	26	786026	Pin – Dowel	2
4	778121A	Gear – Spur (20 Teeth)	1	27	780105A	Bushing – Flange	4
5	778122A	Gear – Spur (22 Teeth)	1	28	786081	Chain – Roller	
6	778123A	Gear – Spur (25 Teeth)	1			(No. 41 Chain, 24 Links)	1
7	778124A	Gear – Spur (30 Teeth)	1	29	780072	Washer – Thrust	5
8	778125	Gear – Spur (35 Teeth)	1	30	780086	Bearing – Needle	2
9	784266	Collar – Shift	1	31	792072	Ring – Retaining	1
10	786083	Sprocket (18 Teeth)	1	32	792035	Ring – Retaining	1
11	786082	Sprocket (9 Teeth)	1	33	780109	Washer	1
12	776134	Shaft – Counter	1	34	788040	Ring – Retaining	1
13	788137A	Gear – Bevel (42 Teeth)	1	35	784267	Assy. Rod & Fork – Shift	1
13A	778136	Gear – Spur (15 Teeth)	1	36	792073	Screw – Thread Forming	8
14	778126A	Gear – Spur (20 Teeth)	1	37	792089A	Key	2
15	778127A	Gear – Spur (25 Teeth)	1	38	792075	Nut – Lock	1
16	778128A	Gear – Spur (28 Teeth)	1	39	792076	Washer	1
17	778129A	Gear – Spur (30 Teeth)	1	40	792077	Ball – Steel	1
18	776135	Shaft – Input	1	41	792078	Screw – Set	1
19	778113A	Bevel – Pinion, Input	1	42	792079	Spring	1
20	786047	Sprocket (8 Teeth)	1	43	780108	Washer – Thrust	5
21	790003	Disk – Brake	1	44	792001	O-Ring	1
22	790008A	Lever – Brake	1	45	786086	Bracket – Lever, Brake	1
23	790025	Holder – Pad, Brake	1	46	788069	Seal – Square Cut	1

PRODUCT CHANGES

In an effort to make improvements available to TORO owners as quickly as possible, minor changes are incorporated into Toro's products from time to time that do not become immediately shown in the Parts Catalog. If such a change has been made in your unit, which is not reflected in your manual, see your TORO Distributor or his Authorized TORO Service Dealer for information and part numbers.

COUNTRIES OTHER THAN THE UNITED STATES OR CANADA

Customers who have purchased TORO products exported from the United States or Canada should contact their Toro Distributor (Dealer) to obtain guarantee policies for your country, province or state. If for any reason you are dissatisfied with your Distributor's

service or have difficulty obtaining guarantee information, contact the TORO importer. If all other remedies fail, you may contact us at The Toro Company.

MAINTENANCE RECORD

Date								

MAINTENANCE RECORD

Date								

MAINTENANCE RECORD

Date									