



52" Side Discharge Cutting Unit

Model No. 78370—200000001 and Up

Model No. 78452—200000001 and Up

Parts Catalog

Ordering Replacement Parts

To order replacement parts, please supply: the part number, the quantity, and the description of each part desired.

Understanding Reference Numbers

Each identified part in an illustration has a reference number. The reference number for a part also appears in the parts list, along with other information about the part.

This catalog uses two special reference number formats, one to indicate parts in a service assembly and another to indicate the quantity of a given part in an illustration.

Service Assembly Reference Numbers

Parts in service assemblies have reference numbers in the form **a:b**. The **a** represents the reference number of the entire service assembly and the **b** represents a sequential number unique to each part within the service assembly.

For example, a wheel assembly might be identified by reference number **6**, the tire by **6:1**, the valve by **6:2**, and the wheel by **6:3**. When you order the assembly identified by reference number **6**, you receive all parts identified by reference numbers **6:1**, **6:2**, and **6:3**. However, you may also order any part individually.

Reference numbers of this type appear in illustrations and in part lists.

Reference Numbers Indicating Quantity

In an illustration, if a reference number indicates more than one part, the reference number has the form **nX y**. The **n** represents the quantity of the part, the **X** is the multiplication symbol, and the **y** represents the reference number.

For example, in an illustration, the reference number **2X 37** means that two of the parts identified by reference number **37** are indicated.

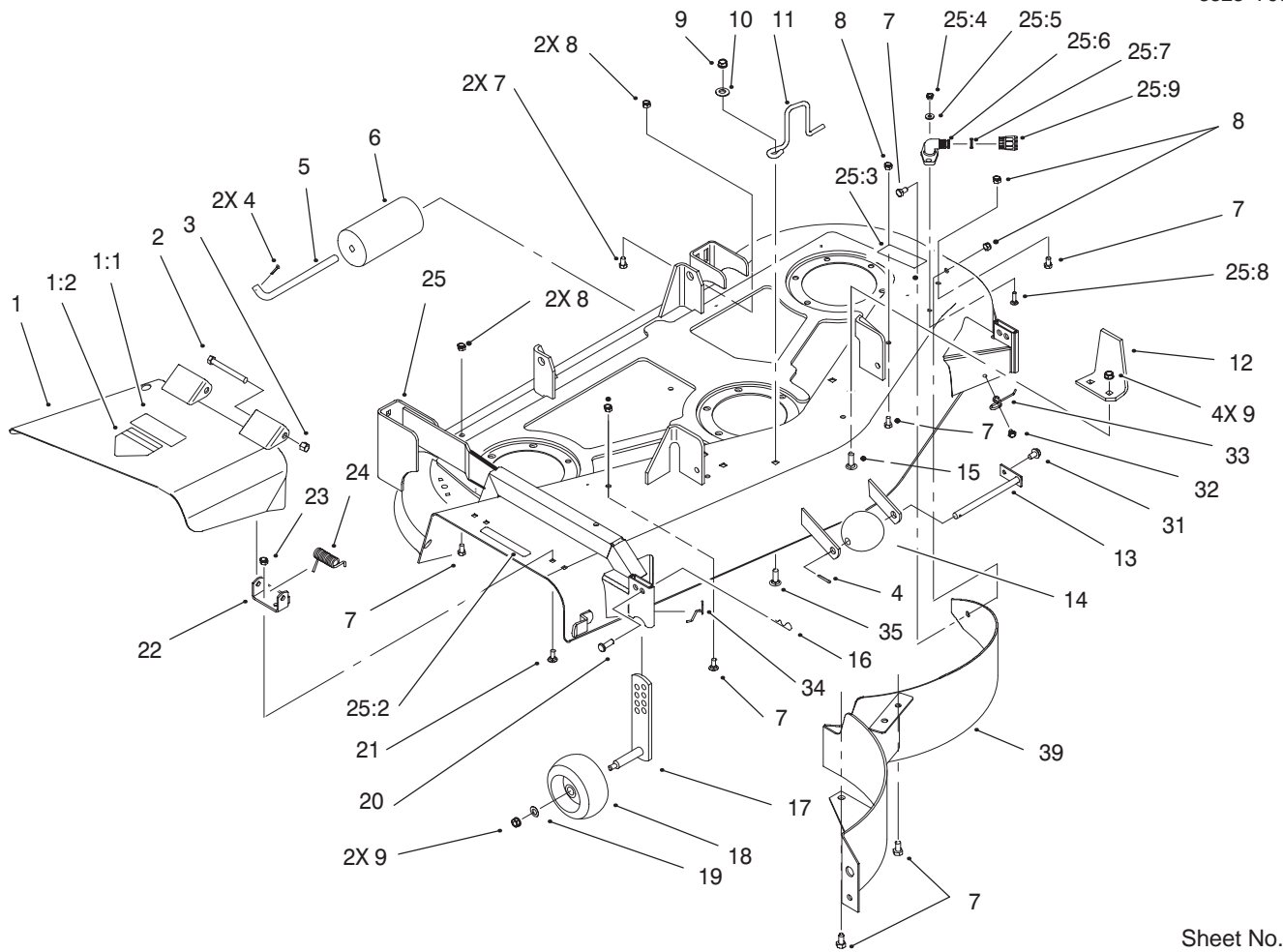
Contents

Description	Page	Description	Page
Deck Assembly	3	Deck Suspension Assembly	7
Pulley And Belt Assembly	5	Pulley Box Assembly	8
Spindle And Blade Assembly	6	Decal Assembly	9

Part Description Abbreviations

Part descriptions in this catalog may include the following abbreviations.

Abbreviation	Meaning	Abbreviation	Meaning
AR	as required	INC	incorporated
ASM	assembly	LH	left hand
CARR	carriage	NI	nylon insert
DEG	degrees	PPH	Phillips pan head
FH	flat head	PTH	Phillips truss head
GA	gauge	PTO	power take off
HF	hex flange	RH	right hand
HH	hex head	SFH	slotted fillister head
HHF	hex head flange	SHH	slotted hex head
HLH	hex lag head	SQH	square head
HJ	hex jam	SHWH	slotted hex washer head
HOC	height-of-cut	SPH	slotted pan head
HS	hex socket	SRH	slotted round head
HSBH	hex socket button head	STD	standard
HSFH	hex socket flat head	TAP	self tapping
HSH	hex socket head	TTH	Torx truss head
HWH	hex washer head	WH	wing head
HWHTF	hex washer head thread forming		

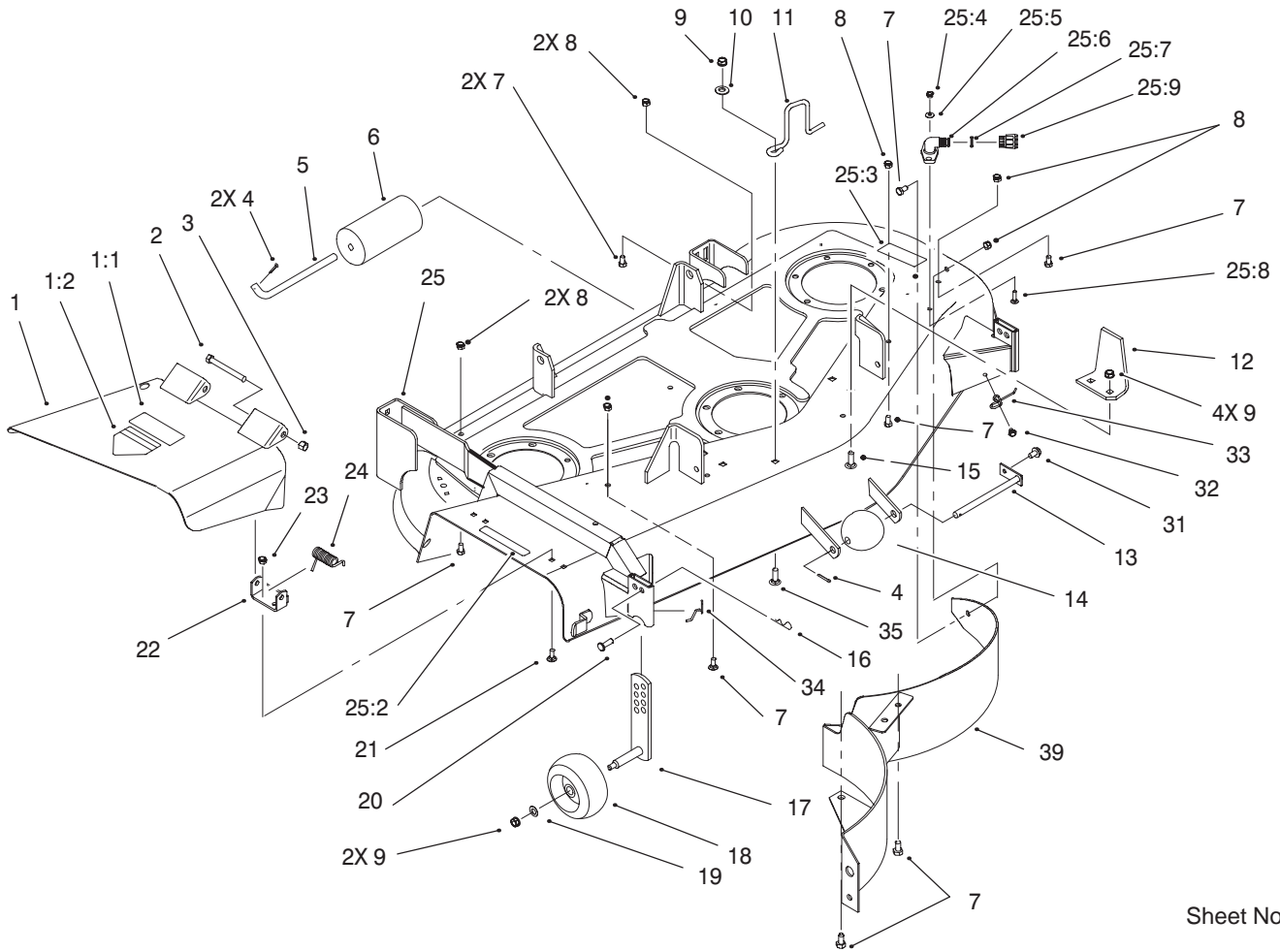


Sheet No.:2

Deck Assembly

Ref. No.	Part No.	Qty.	Description
1	94-1580	1	Deflector ASM (only on: 78370)
1	94-1581	1	Deflector ASM (only on: 78452)
1:1	92-7108	1	Decal - Danger (only on: 78370)
1:1	93-7317	1	Decal - Danger (only on: 78452)
1:2	93-7316	1	Decal - Danger (only on: 78452)
1:2	93-1122	1	Decal-Danger (only on: 78370)
2	3211-15	2	Screw-HH
3	3296-5	2	Nut-Lock, NI
4	3272-11	3	Pin-Cotter
5	40-0340	2	Shaft-Roller, Rear
6	36-1740	2	Roller-Deck
7	322-2	7	Screw-HH (only on: 78452)
7	322-2	8	Screw-HH (only on: 78370)
8	3296-29	7	Nut-Lock,NI (only on: 78452)
8	3296-29	8	Nut-Lock,NI (only on: 78370)
9	3296-39	7	Nut-Lock, NI

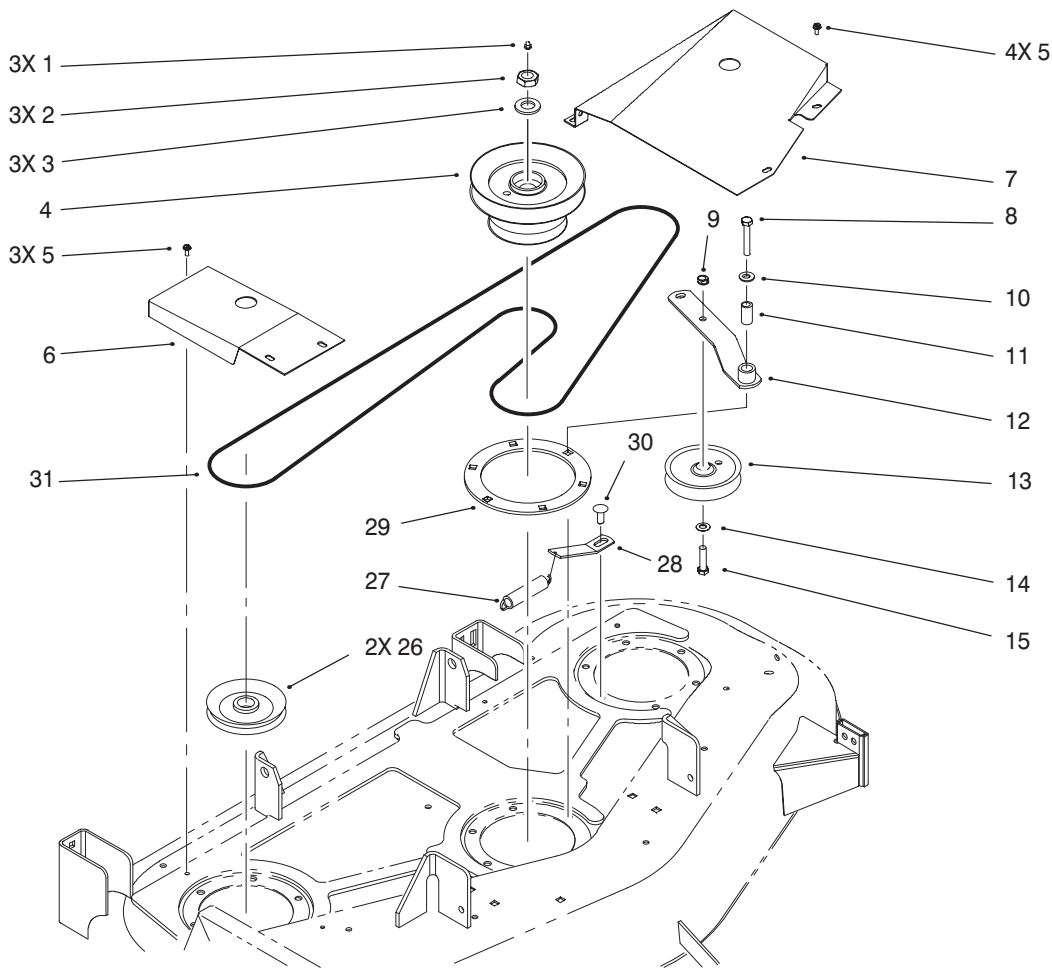
Ref. No.	Part No.	Qty.	Description
10	3256-41	1	Washer-Flat
11	95-3953	1	Guide - Belt
12	94-7952-01	2	Bracket-Guide
13	98-5030	1	Shaft ASM
14	29-4820	2	Roller
15	3231-25	4	Screw-CARR
16	9335054	2	Pin-Hair
17	68-2350	2	Wheel-Gage
18	68-2730	2	Wheel-Gage
19	3256-24	2	Washer-Flat
20	283-2	2	Pin-Clevis
21	3230-18	4	Screw-CARR
22	29-5590-03	2	Bracket-Pivot
23	3296-29	4	Nut-Lock,NI
24	40-6230	2	Spring
25	99-8083	1	Deck ASM (only on: 78370)
25	98-5093	1	Deck ASM (only on: 78452)
25:2	92-7109	1	Decal - Caution (only on: 78370)
25:2	93-7009	1	Decal-Danger (only on: 78452)
25:3	93-7317	1	Decal - Danger (only on: 78452)



Sheet No.:2

Deck Assembly (Continued)

Ref. No.	Part No.	Qty.	Description	Ref. No.	Part No.	Qty.	Description
25:3	92-7108	1	Decal -, Danger (only on: 78370)				
25:4	3296-16	2	Nut-Lock, NI (only on: 78370)				
25:5	3256-1	2	Washer-Flat (only on: 78370)				
25:6	95-2747	1	Fitting-Washout (only on: 78370)				
25:7	46-6290	1	O-Ring (only on: 78370)				
25:8	3229-1	2	Screw-CARR (only on: 78370)				
25:9	95-3270	1	Connector-Hose (only on: 78370)				
31	32144-14	1	Screw-HWH				
32	46-8560	2	Screw-Flange				
33	98-5032	1	Spring - Gage Wheel LH				
34	98-5033	1	Spring - Gage Wheel RH				
35	3231-22	1	Screw-CARR				
39	94-2509-03	1	Baffle (only on: 78370)				

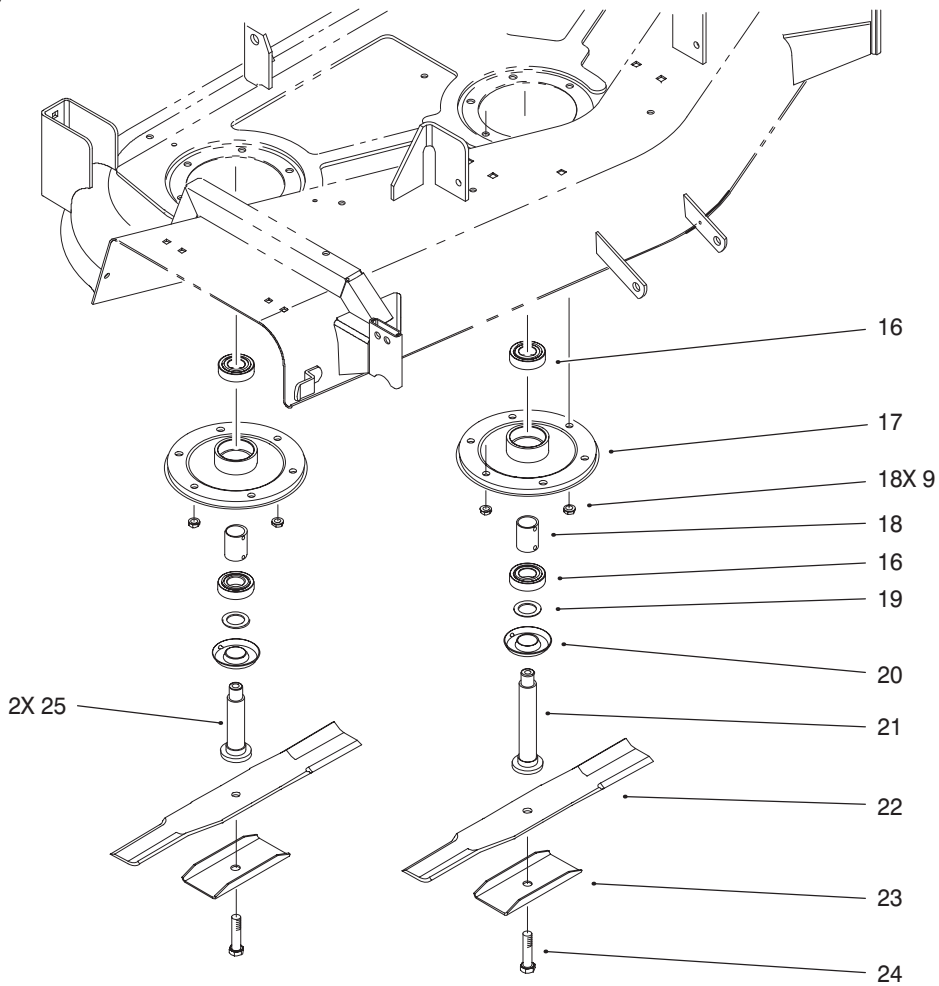


Sheet No.:3
C-2710

Pulley And Belt Assembly

Ref. No.	Part No.	Qty.	Description
1	302-2	3	Fitting-Grease
2	3220-7	3	Nut-Jam
3	3256-28	3	Washer-Flat
4	94-2035	1	Pulley - Double
5	46-8560	7	Screw-Flange
6	98-1618-01	1	Cover ASM-RH
7	98-1619-01	1	Cover ASM-LH
8	323-11	1	Screw-HH
9	32128-21	1	Nut-HF
10	3256-3	1	Washer-Flat
11	51-3640	1	Sleeve-Pivot, Idler
12	55-7640-03	1	Idler Arm
13	93-1622	1	Pulley-Idler
14	3256-24	1	Washer-Flat
15	323-8	1	Screw-HH
26	79-0620	2	Pulley
27	51-3650	1	Spring - Extension
28	55-7650	1	Plate, Spring
29	27-7680-03	3	Ring-Deck Support
30	3231-22	17	Screw-CARR
31	94-2501	1	V-Belt

Ref. No.	Part No.	Qty.	Description

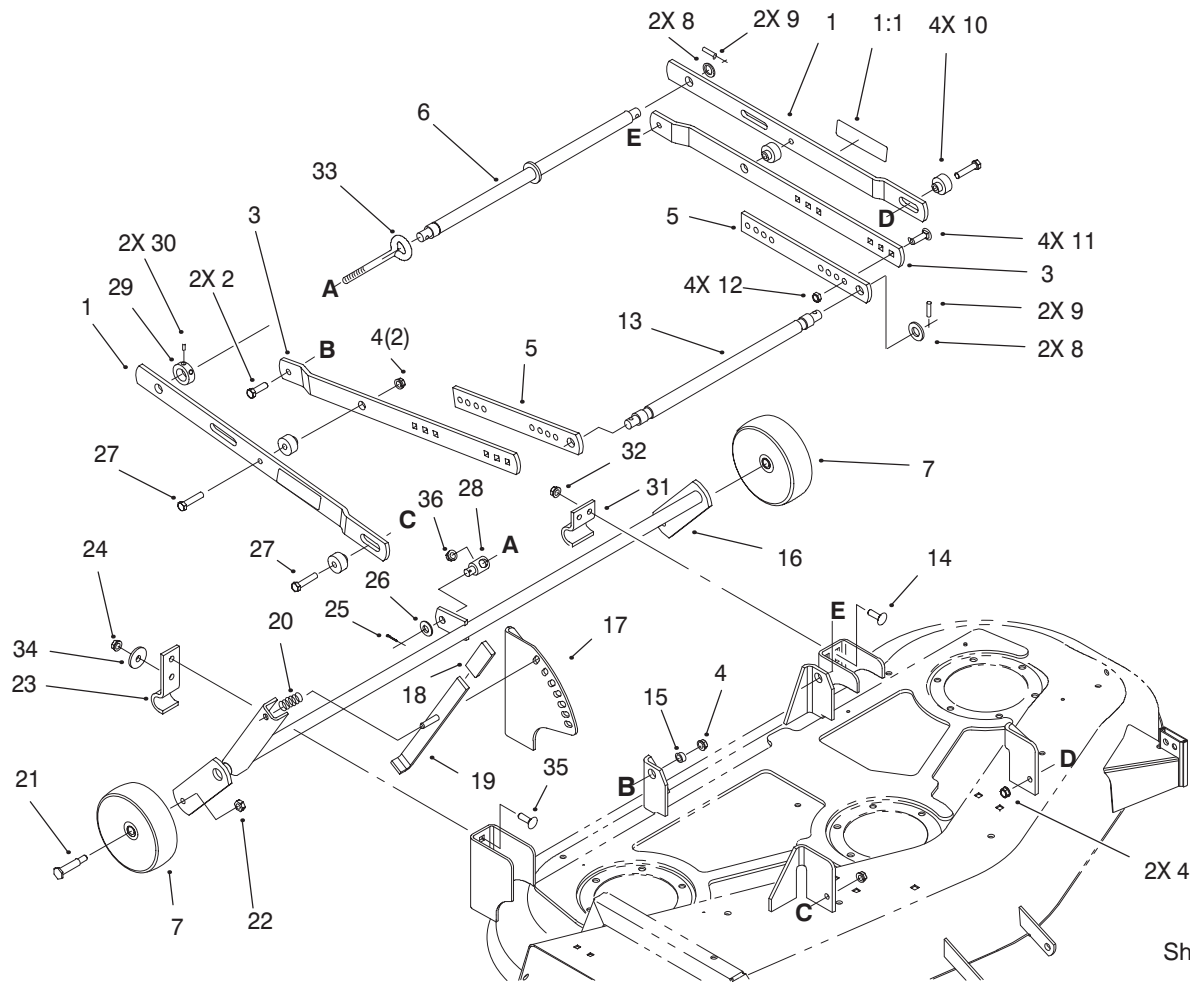


Sheet No.:8
C-2711

Spindle And Blade Assembly

Ref. No.	Part No.	Qty.	Description
9	32128-21	18	Nut-HF
16	113514	6	Bearing
17	79-2480-03	3	Housing-Spindle
18	79-1890	3	Spacer-Bearing
19	120860	3	Washer-Wheel
20	79-1920	3	Shield-Bearing
21	79-1910	1	Shaft-Spindle
22	27-0990	3	Blade
23	92-9820	3	Stiffener - Blade
24	44-2200	3	Blade Screw
25	79-1900	2	Shaft-spindle

Ref. No.	Part No.	Qty.	Description

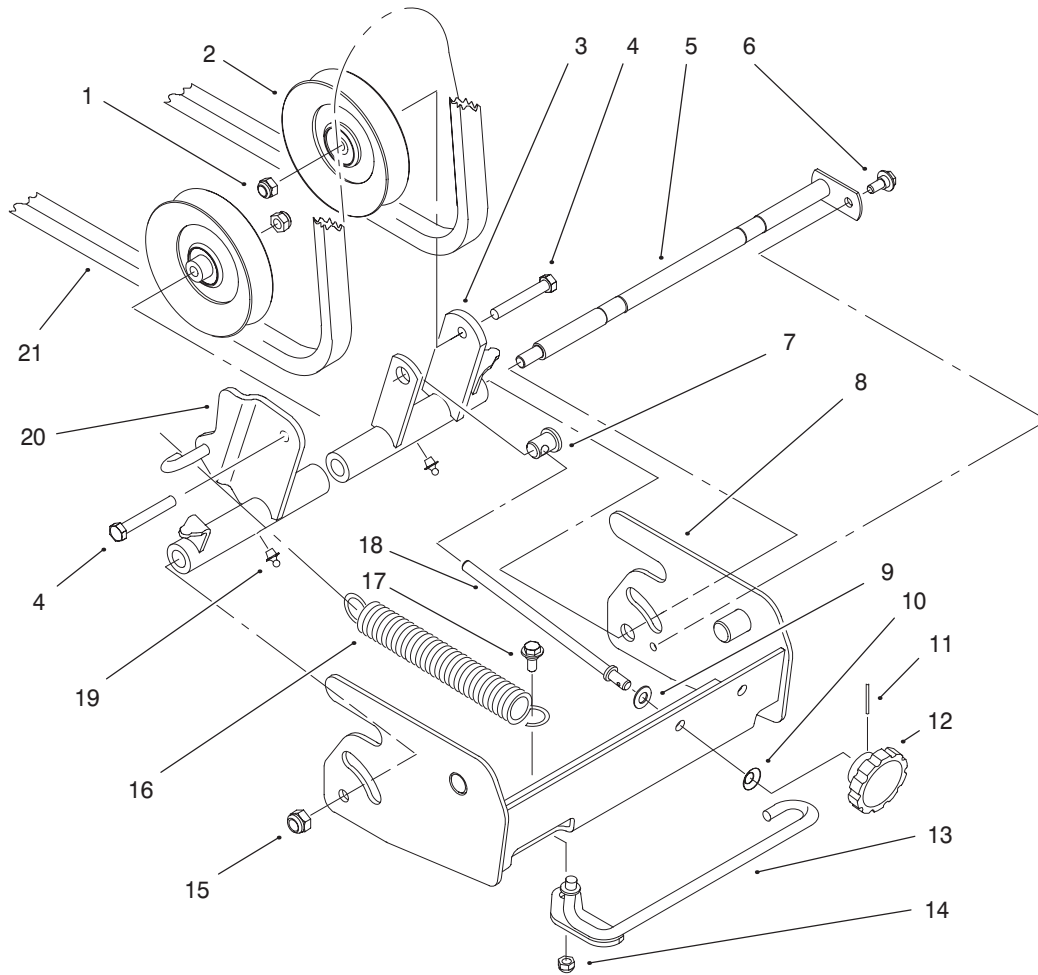


Sheet No.:4
C-2712

Deck Suspension Assembly

Ref. No.	Part No.	Qty.	Description
1	98-5043	1	Leveler ASM-RH (only on: 78370)
1	98-5041	1	Leveler ASM-LH (only on: 78370)
1	98-5044	1	Leveler ASM-RH (only on: 78452)
1	98-5042	1	Leveler ASM-LH (only on: 78452)
1:1	93-9367	2	Decal-Warning (only on: 78452)
1:1	98-3478	2	Decal - Warning (only on: 78370)
2	323-7	2	Screw-HH
3	94-7801-01	2	Draftbar
4	102809	6	Locknut-Flange
5	94-7804-01	2	Draftbar-Adjustment
6	94-7943-01	1	Shaft-Leveler
7	95-4102	2	Wheel
8	3256-69	4	Washer-Flat
9	933216	4	Pin-Roll, Spirol
10	115706	4	Spacer
11	3231-38	4	Screw-CARR
12	32152-2	4	Nut-Conelock
13	94-2130-01	1	Shaft-Draftbar
14	3231-2	2	Screw-CARR
15	114127	2	Spacer

Ref. No.	Part No.	Qty.	Description
16	94-2041-01	1	Wheel Support
17	94-2128-01	1	Quadrant
18	102597	1	Grip
19	94-7965-01	1	Lever-HOC
20	101853	1	Spring-Compression
21	92-1057	2	Bolt-Shoulder
22	32146-2	2	Nut-Lock, NI
23	110837-03	1	Bracket-Pivot
24	3296-39	2	Nut-Lock, NI
25	3272-12	1	Pin-Cotter
26	3256-26	1	Washer-Flat
27	323-9	4	Screw-HH
28	94-7802	1	Trunnion
29	94-7953	1	Collar
30	3245-2	2	Screw-Set, HSH
31	94-7543-03	1	Clamp
32	32128-40	2	Nut-Flange
33	94-7954	1	Rod-Level Adjustment
34	98-3479	1	Washer-Support
35	3231-4	2	Screw-CARR
36	3296-23	1	Nut-Lock, NI

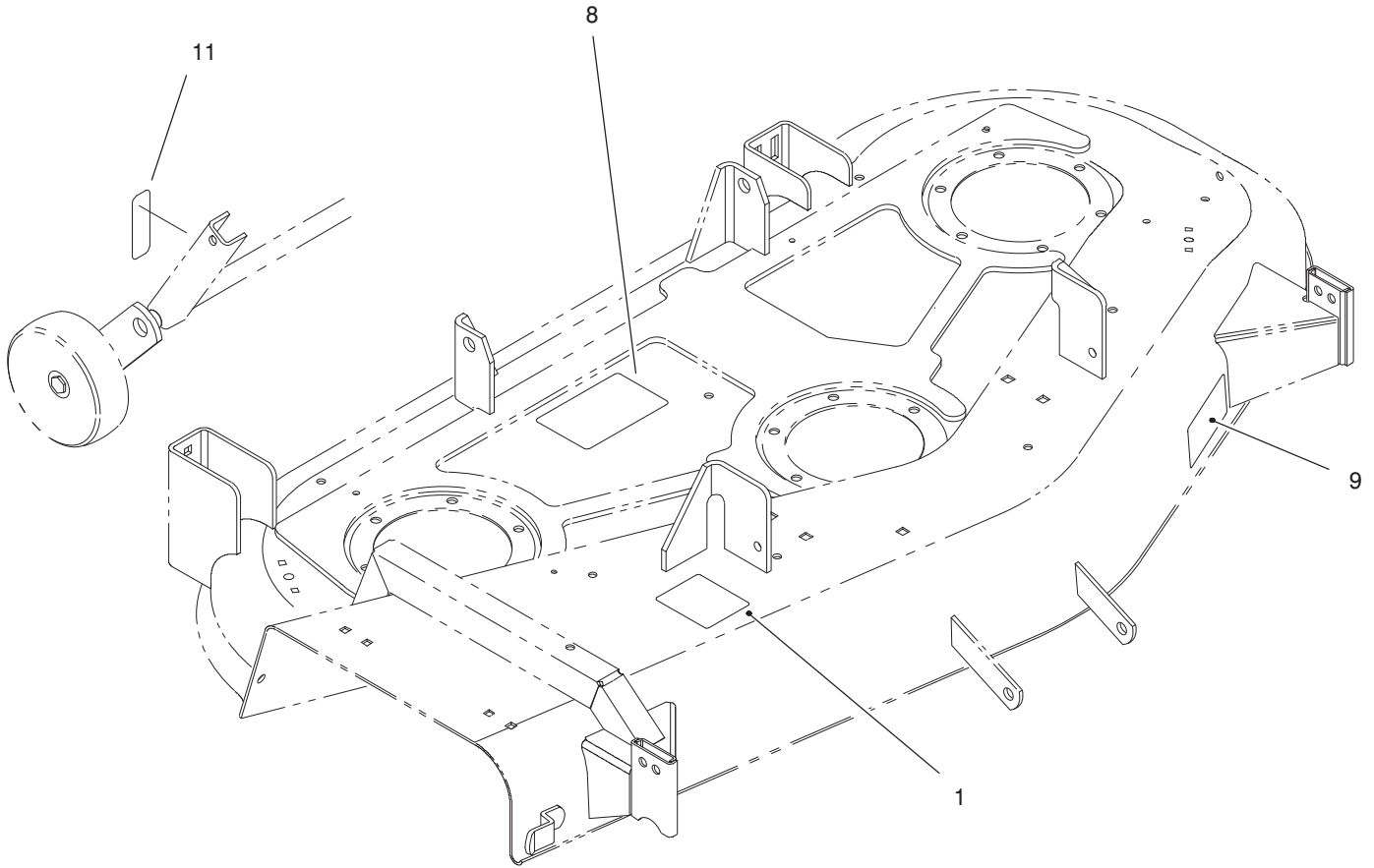


Sheet No.:5

Pulley Box Assembly

Ref. No.	Part No.	Qty.	Description
1	3296-39	2	Nut-Lock, NI
2	94-2447	2	Pulley-Idler
3	94-2284-01	1	Lever-Idler
4	323-10	2	Screw-HH
5	94-2423	1	Rod-Pivot
6	32144-70	1	Screw-HH
7	94-2449	1	Ferrule - Adjuster
8	94-2287-03	1	Box-Pulley
9	3256-24	1	Washer-Flat
10	108571	1	Washer-Spring
11	933156	1	Pin-Spirol, Roll
12	101851	1	Knob-Adj
13	94-7764	1	Tensioner-Idler
14	3296-29	1	Nut-Lock,NI
15	32152-9	1	Locknut
16	100-1196	1	Spring - Extension
17	19-1471	1	Screw-Shoulder
18	94-2288	1	Rod - Tension
19	302-5	2	Fitting-Lube
20	94-2462-01	1	Arm-Idler
21	95-4094	1	V-Belt

Ref. No.	Part No.	Qty.	Description



Sheet No.:7
C-2713

Decal Assembly

Ref. No.	Part No.	Qty.	Description
1	98-3481	1	Decal - Belt Routing
8	98-3480	1	Decal - Belt Routing
9	93-7282	1	Decal-Wheel Adj
11	111655	1	Decal-HOC (only on: 78370)

Ref. No.	Part No.	Qty.	Description

