



WHEEL HORSE

52" DECK Intl

Model No. – 78252 – 6900001 & Up

Parts Catalog

ORDERING REPLACEMENT PARTS

To order replacement parts, please supply: the part number, the quantity, and the description of each part desired.

Contents

Description	Page	Description	Page
Gage Wheels And Lift Brackets	1	Decals And Baffles	4
Blades, Spindles, And Deflectors	2	Clutch	5
Drive and Belt Covers	3		

Note:

Accessories

Description	Model / Parts No.	Description	Model / Parts No.
-------------	-------------------	-------------	-------------------

Part Description Abbreviations

Part descriptions in this catalog may include the following abbreviations.

Abbreviation	Meaning	Abbreviation	Meaning
AR	as required	HWHTF	hex washer head thread forming
ASM	assembly	INC	incorporated
CARR	carriage	LH	left hand
DEG	degrees	PH	pan head
FH	flat head	PPH	Phillips pan head
GA	gauge	PTO	power take off
HF	hex flange	RH	right hand
HFW	hex flange washer	SFH	slotted fillister head
HH	hex head	SH	square head
HHF	hex head flange	SHWH	slotted hex washer head
HHST	hex head self tapping	SPH	slotted pan head
HJ	hex jam	STD	standard
HOC	height-of-cut	TAP	self tapping
HS	hex socket	TH	truss head
HSBH	hex socket button head	TTH	Torx truss head
HSFH	hex socket flat head	WH	wing head
HSH	hex socket head		
HWH	hex washer head		

Important Format Explanations

This catalog uses special formats to convey information in illustrations and parts lists. Specifically, one format is used in conjunction with service assemblies and another with quantities associated with reference numbers.

Service Assemblies

Parts within service assemblies have reference numbers in the form $X:Y$. X is the reference number of the service assembly and Y is a sequential number unique to each part within the service assembly.

For example, a wheel assembly might be identified by reference number 6, the tire by 6:1, the valve by 6:2, and the wheel by 6:3. When you order the assembly identified by reference number 6, you receive all parts identified by reference numbers 6:1, 6:2, and 6:3. However, you may also order any part individually.

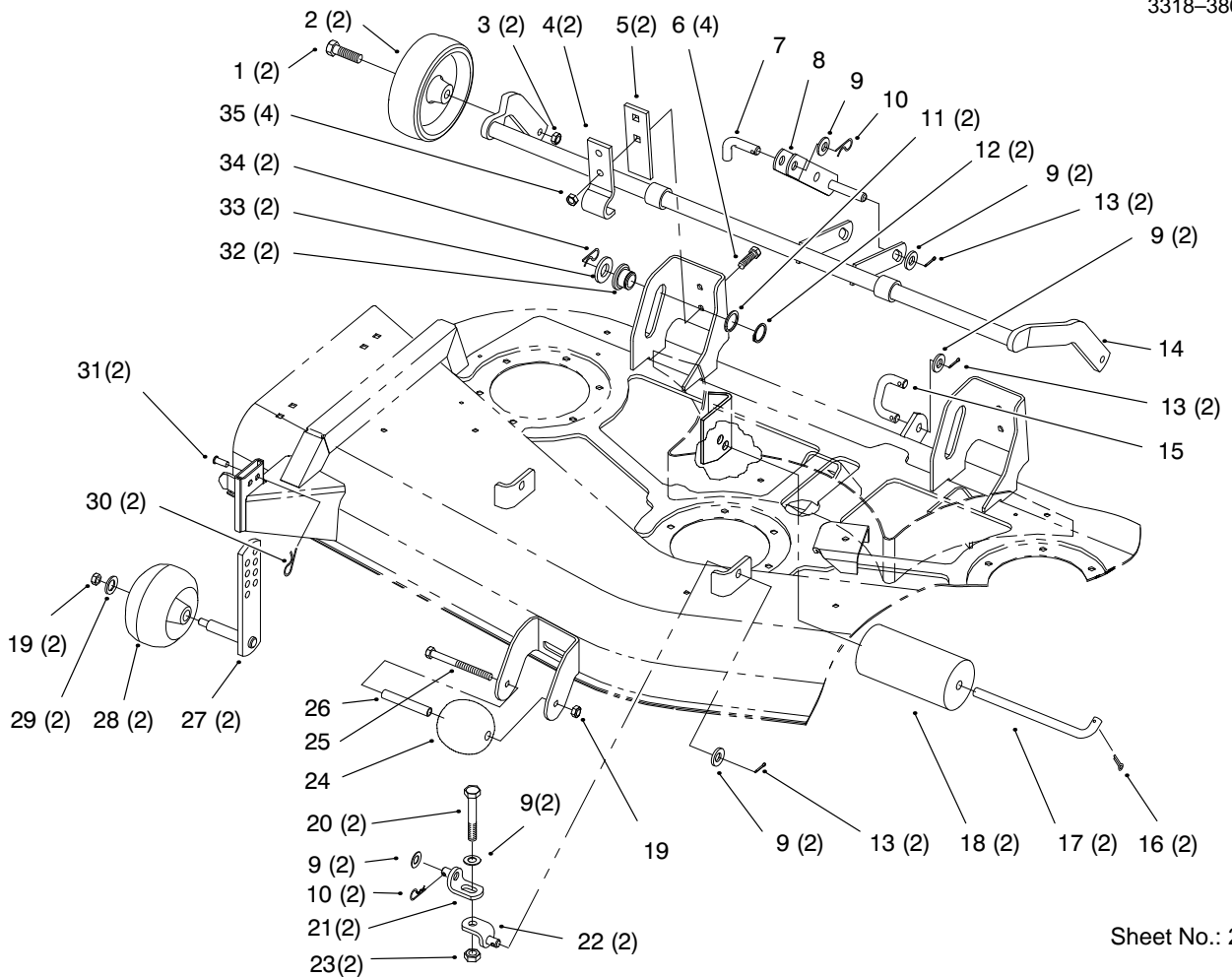
Reference numbers of this type appear in part lists and as callouts in illustrations.

Reference Numbers with Quantities

Illustrations may have a quantity in parentheses next to a reference number, in the form $X (Y)$. X is the reference number. Y in parentheses is the quantity of the part identified by the reference number.

For example, the illustration callout 4 (2) indicates that two parts are used in that instance.

This Page Intentionally Left Blank



Sheet No.: 2

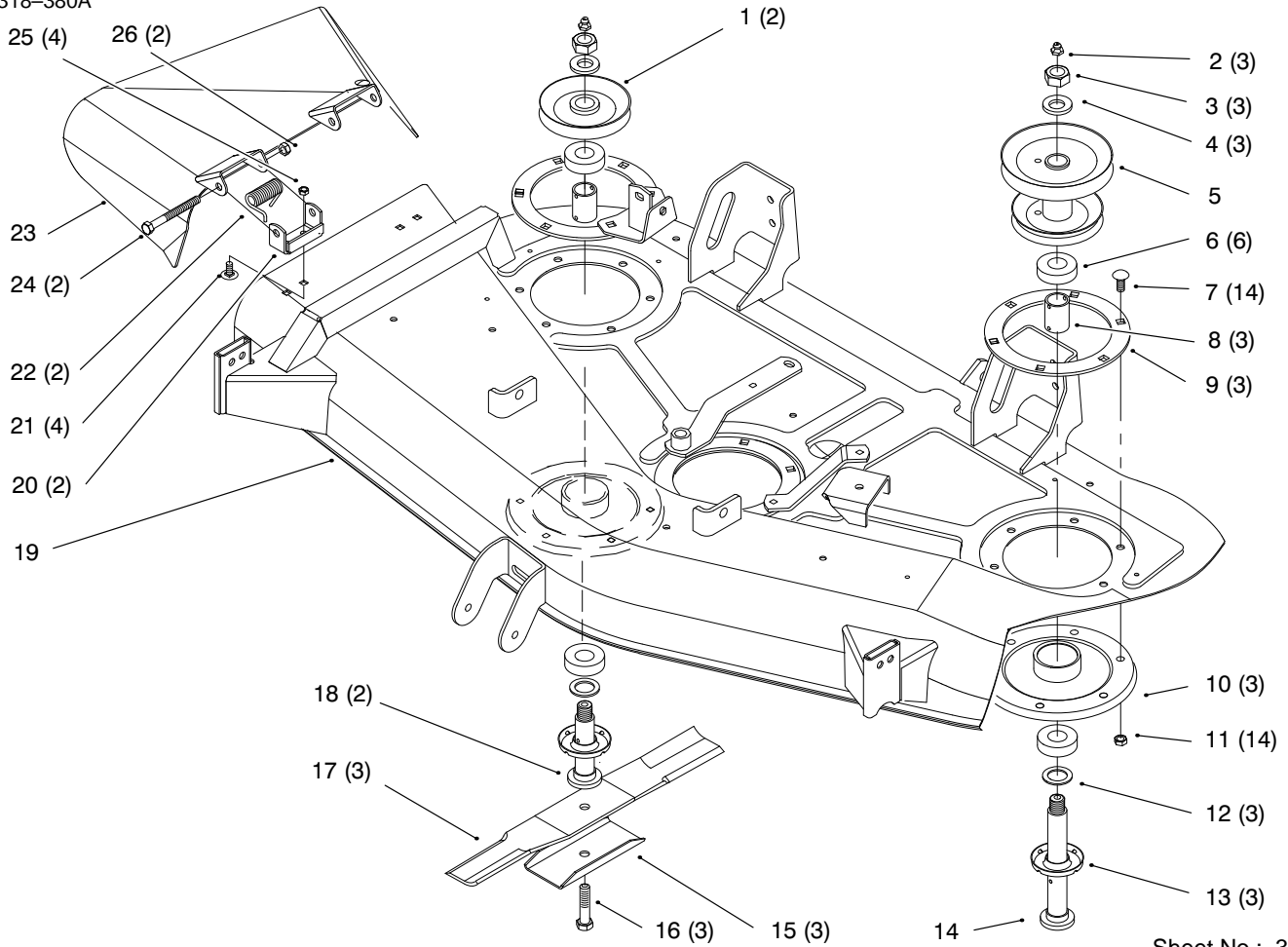
Gage Wheels And Lift Brackets

Ref. No.	Part No.	Qty.	Description
1	5188	2	Screw-HSH
2	110506	2	Wheel-Gage
3	32146-2	2	Nut-Lock
4	110837	2	Bracket-Pivot
5	110838	2	Bar
6	323-7	4	Screw-HH
7	94-4809	1	Pin-Link
8	94-4806-03	1	Lift Arm
9	3256-26	11	Washer-Flt
10	9335064	3	Hairpin
11	9202394	2	Washer
12	32151-29	2	Ring-Ext Snap
13	3272-21	6	Pin-Cotter
14	94-2525-03	1	Wheel Carrier
15	94-4805	1	Link-Rear
16	3272-11	2	Pin-Cotter
17	40-0340	2	Shaft-Roller
18	36-1740	2	Roller-Deck
19	3296-39	3	Nut-Lock
20	325-12	2	Screw-HH
21	86-9240	2	Bracket
22	86-9250	2	Bracket
23	3218-5	2	Nut-Jam
24	29-4820	1	Roller
25	323-16	1	Screw-HH
26	94-2500	1	Tube-Spacer

Ref. No.	Part No.	Qty.	Description
27	68-2350	2	Plate Gage Wheel
28	68-2730	2	Wheel-Gage
29	3256-24	2	Washer-Flat
30	9335054	2	Hairpin
31	283-2	2	Pin-Clevis
32	78-7340	2	Roller-Lift
33	3256-28	2	Washer-Flat
34	9335074	2	Cotter-Hairpin
35	32128-21	4	Nut-Lock Hfh

Parts Identified in illustration but not in parts list are not used on this Model

3318-380A

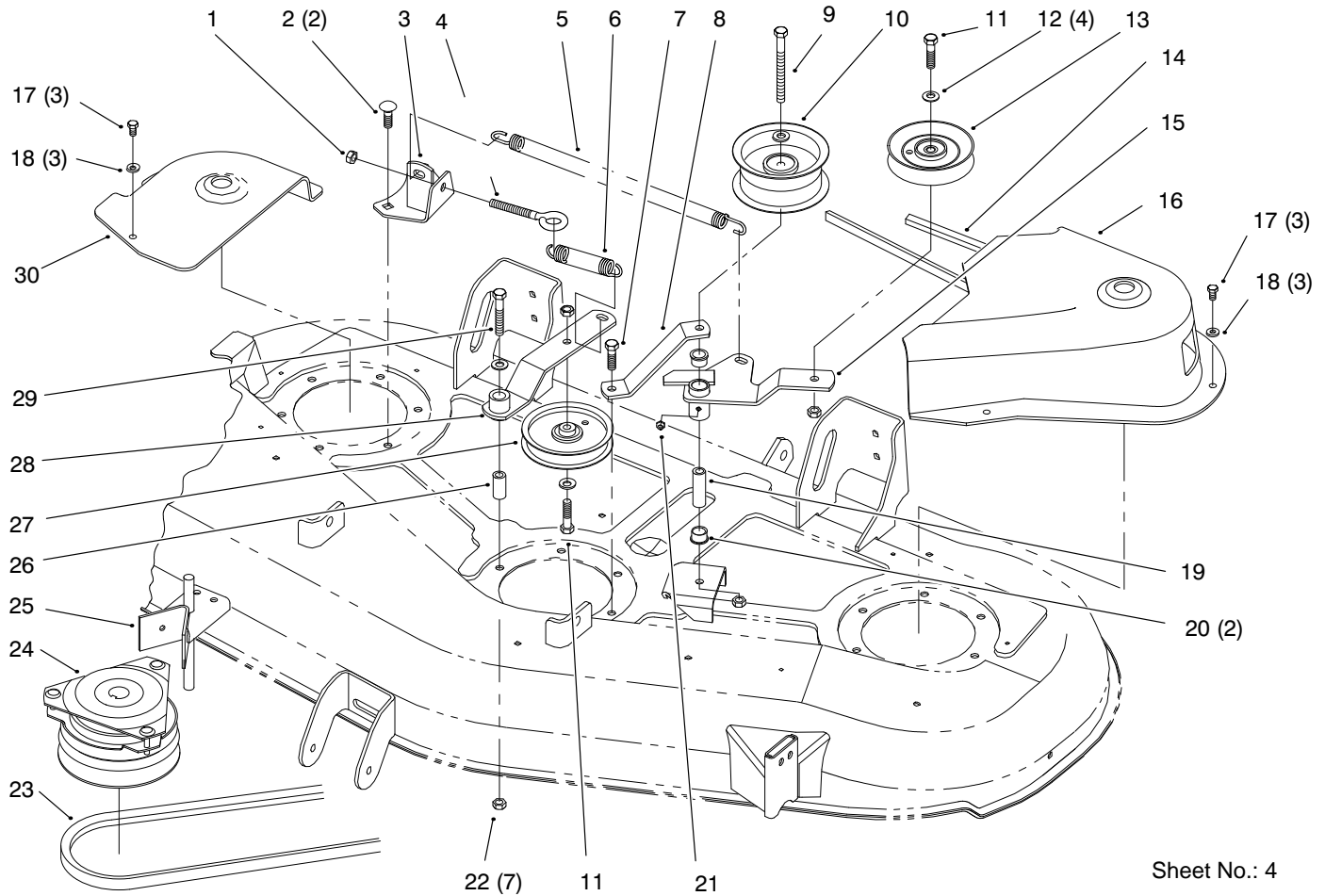


Sheet No.: 3

Blades, Spindles, And Deflectors

Ref. No.	Part No.	Qty.	Description
1	79-0620	2	Pulley
2	302-2	3	Fitting-Grease
3	3220-7	3	Nut-Jam
4	3256-28	3	Washer-Flat
5	94-4800	1	Pulley-Double
6	113514	6	Bearing-Ball
7	3231-22	14	Bolt-CARR
8	79-1890	3	Spacer-Bearing
9	27-7680-03	3	Ring-Deck Support
10	79-2480-03	3	Housing-Spindle
11	32128-21	14	Nut-Lock Hfh
12	88-7540	3	Washer
13	79-1920	3	Shield-Brg
14	94-2523	1	Shaft-Spindle
15	92-9820	3	Stiffener-Blade
16	44-2200	3	Bolt-Blade
17	27-0990	3	Blade-18"
18	79-1900	2	Spindle Shaft
19	94-9793	1	52"euro Deck Decal ASM
20	29-5590-03	2	Bracket-Pivot
21	3230-18	4	Screw-CARR
22	40-6230	2	Spring-Torsion
23	94-1581-01	1	Deflector Decal ASM-Euro
24	3211-15	2	Screw-Cap

Ref. No.	Part No.	Qty.	Description
25	3296-29	4	Nut-Lock
26	3296-5	2	Nut-Lock



Sheet No.: 4

Drive and Belt Covers

Ref. No.	Part No.	Qty.	Description
1	3296-39	1	Nut-Lock
2	3231-22	2	Bolt-CARR
3	94-2546-03	1	Spring Bracket
4	94-2547	1	Eyebolt
5	94-5385	1	Spring-Extension
6	51-3650-03	1	Spring-Idler
7	323-44	1	Screw-HH
8	94-4801-03	1	Strap-Support
9	323-16	1	Screw-HH
10	94-4935	1	Pulley-Idler
11	323-8	2	Screw-HH
12	3256-24	4	Washer-Flat
13	92-7099	1	Pulley-Idler
14	102742	1	Belt-V
15	95-7897	1	Idler Arm (Incl. Ref. #21)
16	94-2522	1	Cover-Belt
17	32144-4	6	Screw-TAP
18	3256-22	6	Washer-Flat
19	79-2760	1	Spacer-Idler Pivot
20	109859	2	Bushing-Flg
21	302-5	1	Fitting-Grease
22	32128-21	7	Nut-Lock Hfh
23	94-4399	1	Belt-V
24	94-2514	1	Clutch-Electric PTO
25	94-4940-03	1	Deck Upstop

Ref. No.	Part No.	Qty.	Description
26	51-3640	1	Sleeve-Pivot
27	112895	1	Pulley-Flat
28	55-7640-03	1	Arm
29	323-11	1	Screw
30	94-2524	1	Cover-Belt

Toro Part Number Index

Part No.	Page No.	Ref. No.	Qty.	Description
5188	1	1	2	Screw-HSH
102742	3	14	1	Belt-V
110837	1	4	2	Bracket-Pivot
110838	1	5	2	Bar
109859	3	20	2	Bushing-Flg
110506	1	2	2	Wheel-Gage
112895	3	27	1	Pulley-Flat
113514	2	6	6	Bearing-Ball
114064	5	4	2	Bearing-Elec Clutch
120860	2	12	3	Washer
9202394	1	11	2	Washer
9335054	1	30	2	Hairpin
9335064	1	10	3	Hairpin
9335074	1	34	2	Cotter-Hairpin
27-0990	2	17	3	Blade-18"
27-7680-03	2	9	3	Ring-Deck Support
29-4820	1	24	1	Roller
29-5590-03	2	20	2	Bracket-Pivot
36-1740	1	18	2	Roller-Deck
40-0340	1	17	2	Shaft-Roller
40-6230	2	22	2	Spring-Torsion
44-2200	2	16	3	Bolt-Blade
51-3640	3	26	1	Sleeve-Pivot
51-3650-03	3	6	1	Spring-Idler
55-7640-03	3	28	1	Arm
68-2350	1	27	2	Plate Gage Wheel
68-2730	1	28	2	Wheel-Gage
78-7340	1	32	2	Roller-Lift
79-0620	2	1	2	Pulley
79-1890	2	8	3	Spacer-Bearing
79-1900	2	18	2	Spindle Shaft
79-1920	2	13	3	Shield-Brg
79-2480-03	2	10	3	Housing-Spindle
79-2760	3	19	1	Spacer-Idler Pivot
86-9240	1	21	2	Bracket
86-9250	1	22	2	Bracket
92-3014	5	1	3	Nut & Spring ASM
92-3016	5	3	1	Field ASM W/Bearing
92-7099	3	13	1	Pulley-Idler
92-9820	2	15	3	Stiffener-Blade
93-7009	4	3	1	Decal-Deflector Danger
93-7282	4	13	1	Decal-Wheel Adjustment
93-7316	4	1	1	Decal-Danger
93-7317	4	2	2	Decal-Danger
94-1581-01	2	23	1	Deflector Decal ASM-Euro
94-2500	1	26	1	Tube-Spacer
94-2514	3	24	1	Clutch-Electric PTO
94-2522	3	16	1	Cover-Belt
94-2523	2	14	1	Shaft-Spindle
94-2524	3	30	1	Cover-Belt
94-2525-03	1	14	1	Wheel Carrier Wa
94-2535	4	9	1	Guide-Belt
94-2543	4	10	1	Decal-Drive Belt
94-2546-03	3	3	1	Spring Bracket
94-2547	3	4	1	Eyebolt
94-4399	3	23	1	Belt-V
94-4800	2	5	1	Pulley-Double
94-4801-03	3	8	1	Strap-Support
94-4802-03	3	15	1	Idler Arm
94-4805	1	15	1	Link-Rear
94-4806-03	1	8	1	Lift Arm
94-4809	1	7	1	Pin-Link

*Not Illustrated

Toro Part Number Index (cont.)

Part No.	Page No.	Ref. No.	Qty.	Description
94-4930	5	2	1	Rotor & Armature ASM
94-4935	3	10	1	Pulley-Idler
94-4937	4	6	1	Decal-Belt Routing
94-4940-03	3	25	1	Deck Upstop
94-4949-01	2	19	1	52"euro Deck Decal ASM
94-5385	3	5	1	Spring-Extension
283-2	1	31	2	Pin-Clevis
302-2	2	2	3	Fitting-Grease
302-26	3	21	1	Fitting-Grease
322-2	4	11	5	Screw-HH
322-5	4	12	1	Screw-HH
323-7	1	6	4	Screw-HH
323-8	3	11	2	Screw-HH
323-11	3	29	1	Screw
323-16	1	25	1	Screw-HH
323-16	3	9	1	Screw-HH
323-44	3	7	1	Screw-HH
325-12	1	20	2	Screw-HH
3211-15	2	24	2	Screw-Cap
3218-5	1	23	2	Nut-Jam
3220-7	2	3	3	Nut-Jam
3230-18	2	21	4	Screw-CARR
3231-22	2	7	14	Bolt-CARR
3231-22	3	2	2	Bolt-CARR
3256-22	3	18	6	Washer-Flat
3256-23	4	8	1	Washer-Flat
3256-24	1	29	2	Washer-Flat
3256-24	3	12	4	Washer-Flat
3256-26	1	9	11	Washer-Flt
3256-28	1	33	2	Washer-Flat
3256-28	2	4	3	Washer-Flat
3272-11	1	16	2	Pin-Cotter
3272-21	1	13	6	Pin-Cotter
3296-5	2	26	2	Nut-Lock
3296-29	2	25	4	Nut-Lock
3296-29	4	7	6	Nut-Lock
3296-39	1	19	3	Nut-Lock
3296-39	3	1	1	Nut-Lock
32128-21	1	35	4	Nut-Lock Hfh
32128-21	2	11	14	Nut-Lock Hfh
32128-21	3	22	7	Nut-Lock Hfh
32144-4	3	17	6	Screw-TAP
32146-2	1	3	2	Nut-Lock
32151-29	1	12	2	Ring-Ext Snap

