



48in Side Discharge Mower

5xi Garden Tractors

Model No. 78449-23000001 and Up

Parts Catalog

Ordering Replacement Parts

To order replacement parts, please supply: the part number, the quantity, and the description of each part desired.

Understanding Reference Numbers

Each identified part in an illustration has a reference number. The reference number for a part also appears in the parts list, along with other information about the part.

This catalog uses two special reference number formats, one to indicate parts in a service assembly and another to indicate the quantity of a given part in an illustration.

Service Assembly Reference Numbers

Parts in service assemblies have reference numbers in the form **a:b**. The **a** represents the reference number of the entire service assembly and the **b** represents a sequential number unique to each part within the service assembly.

For example, a wheel assembly might be identified by reference number **6**, the tire by **6:1**, the valve by **6:2**, and the wheel by **6:3**. When you order the assembly identified by reference number **6**, you receive all parts identified by reference numbers **6:1**, **6:2**, and **6:3**. However, you may also order any part individually.

Reference numbers of this type appear in illustrations and in part lists.

Reference Numbers Indicating Quantity

In an illustration, if a reference number indicates more than one part, the reference number has the form **nX y**. The **n** represents the quantity of the part, the **X** is the multiplication symbol, and the **y** represents the reference number.

For example, in an illustration, the reference number **2X 37** means that two of the parts identified by reference number **37** are indicated.

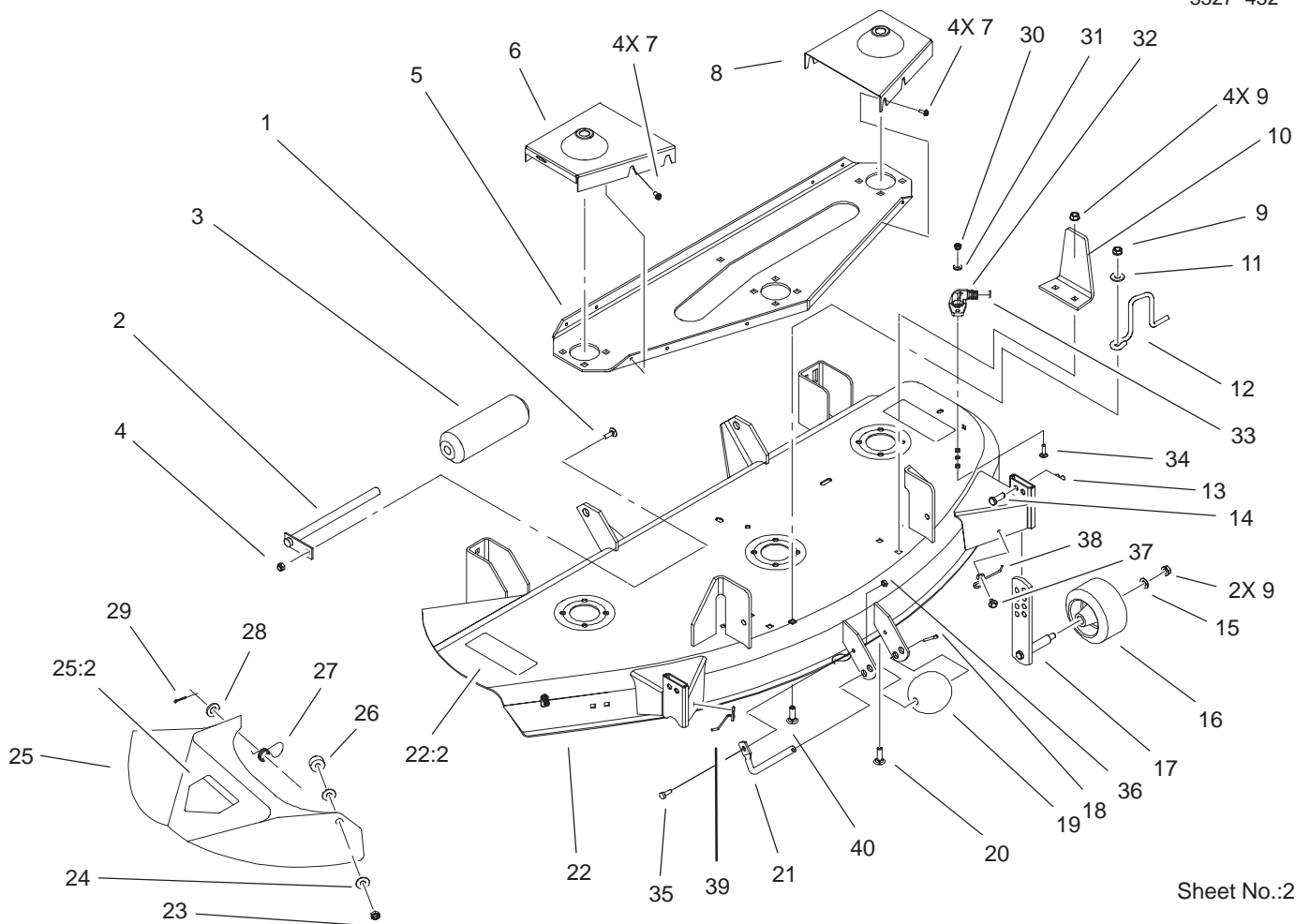
Contents

| Description | Page | Description | Page |
|------------------------------------|------|---------------------------|------|
| Reinforcement Plate Assembly | 3 | Pulley Box Assembly | 6 |
| Spindle and Blade Assembly | 4 | Baffle Assembly | 7 |
| Deck Suspension Assembly | 5 | Decal Assembly | 8 |

Part Description Abbreviations

Part descriptions in this catalog may include the following abbreviations.

| Abbreviation | Meaning | Abbreviation | Meaning |
|--------------|-----------------------------------|--------------|-------------------------|
| AR | as required | HYD | hydraulic |
| ASM | assembly | INC | incorporated |
| CARR | carriage | LH | left hand |
| DEG | degrees | NI | nylon insert |
| FH | flat head | PPH | Phillips pan head |
| GA | gauge | PTH | Phillips truss head |
| HF | hex flange | PTO | power take off |
| HH | hex head | RH | right hand |
| HHF | hex head flange | SFH | slotted fillister head |
| HLH | hex lag head | SHH | slotted hex head |
| HJ | hex jam | SQH | square head |
| HOC | height-of-cut | SHWH | slotted hex washer head |
| HS | hex socket | SPH | slotted pan head |
| HSBH | hex socket button head | SRH | slotted round head |
| HSFH | hex socket flat head | STD | standard |
| HSH | hex socket head | TAP | self tapping |
| HWH | hex washer head | TTH | Torx truss head |
| HWHTF | hex washer head thread forming | WH | wing head |

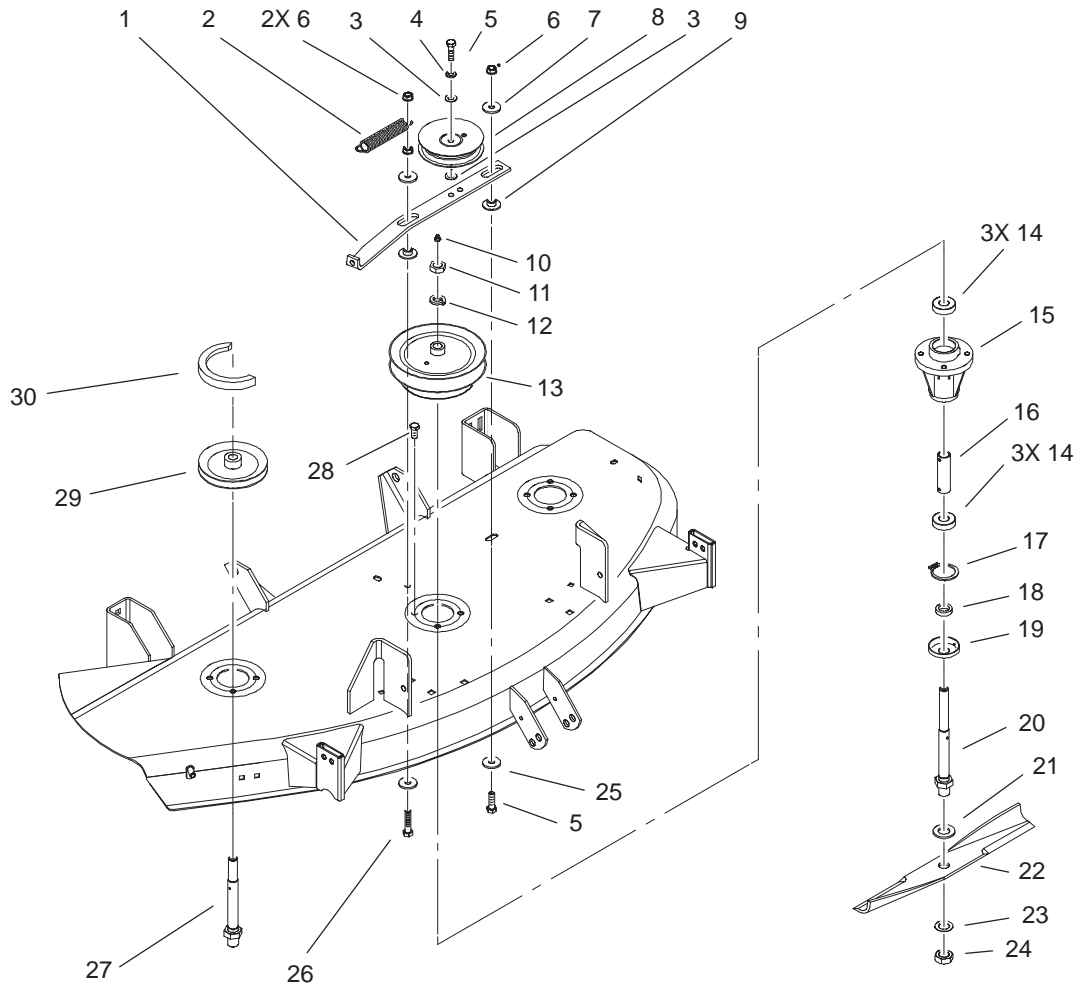


Sheet No.:2

Reinforcement Plate Assembly

| Ref. No. | Part No. | Qty. | Description |
|----------|------------|------|---------------------|
| 1 | 3230-1 | 1 | Bolt-CARR |
| 2 | 113603 | 1 | Roller-Shaft |
| 3 | 113349 | 1 | Roller-Anti Scalp |
| 4 | 3296-29 | 1 | Nut-Lock, NI |
| 5 | 95-3879-01 | 1 | Plate-Reinforce |
| 6 | 95-3949-01 | 1 | Cover-Belt, RH |
| 7 | 46-8560 | 8 | Screw-Hhfff |
| 8 | 95-3950-01 | 1 | Cover-Belt, LH |
| 9 | 3296-39 | 7 | Nut-Lock, NI |
| 10 | 94-7642-01 | 2 | Bracket-Guide |
| 11 | 3256-41 | 1 | Washer-Flat |
| 12 | 95-3953 | 1 | Guide-Belt |
| 13 | 9335054 | 2 | Pin-Hair |
| 14 | 283-2 | 2 | Pin-Clevis |
| 15 | 3256-24 | 2 | Washer-Flat |
| 16 | 68-2730 | 2 | Wheel-Gage |
| 17 | 68-2350 | 2 | Gage-Wheel |
| 18 | 3272-21 | 1 | Pin-Cotter |
| 19 | 29-4820 | 1 | Roller |
| 20 | 3231-25 | 4 | Screw-CARR |
| 21 | 118960-03 | 1 | Shaft-Roller |
| 22 | 105-1528 | 1 | 48in Deck/Decal ASM |
| 22:2 | 93-7317 | 2 | Decal-Danger |
| 23 | 9152366 | 1 | Nut-HJ |
| 24 | 93-1633 | 2 | Washer |
| 25 | 99-3707 | 1 | Chute ASM |

| Ref. No. | Part No. | Qty. | Description |
|----------|----------|------|--------------------------|
| 25:2 | 93-7316 | 1 | Decal-Danger |
| 26 | 116080 | 1 | Bushing-Pivot |
| 27 | 93-1630 | 1 | Spring-Deflector |
| 28 | 3256-26 | 1 | Washer-Flat |
| 29 | 3272-10 | 1 | Pin-Cotter |
| 30 | 3296-16 | 2 | Nut-Lock, NI |
| 31 | 3256-1 | 2 | Washer-Flat |
| 32 | 95-2747 | 1 | Fitting-Washout |
| 33 | 46-6290 | 1 | O-Ring |
| 34 | 3229-1 | 2 | Screw-CARR |
| 35 | 321-4 | 1 | Screw-HH |
| 36 | 3296-42 | 1 | Nut-Lock, NI |
| 37 | 46-8560 | 2 | Screw-Hhfff |
| 38 | 98-5032 | 1 | Spring-Gage Wheel, LH |
| 39 | 98-5033 | 1 | Spring-Gage Wheel, RH |
| 40 | 3231-22 | 1 | Screw-CARR |

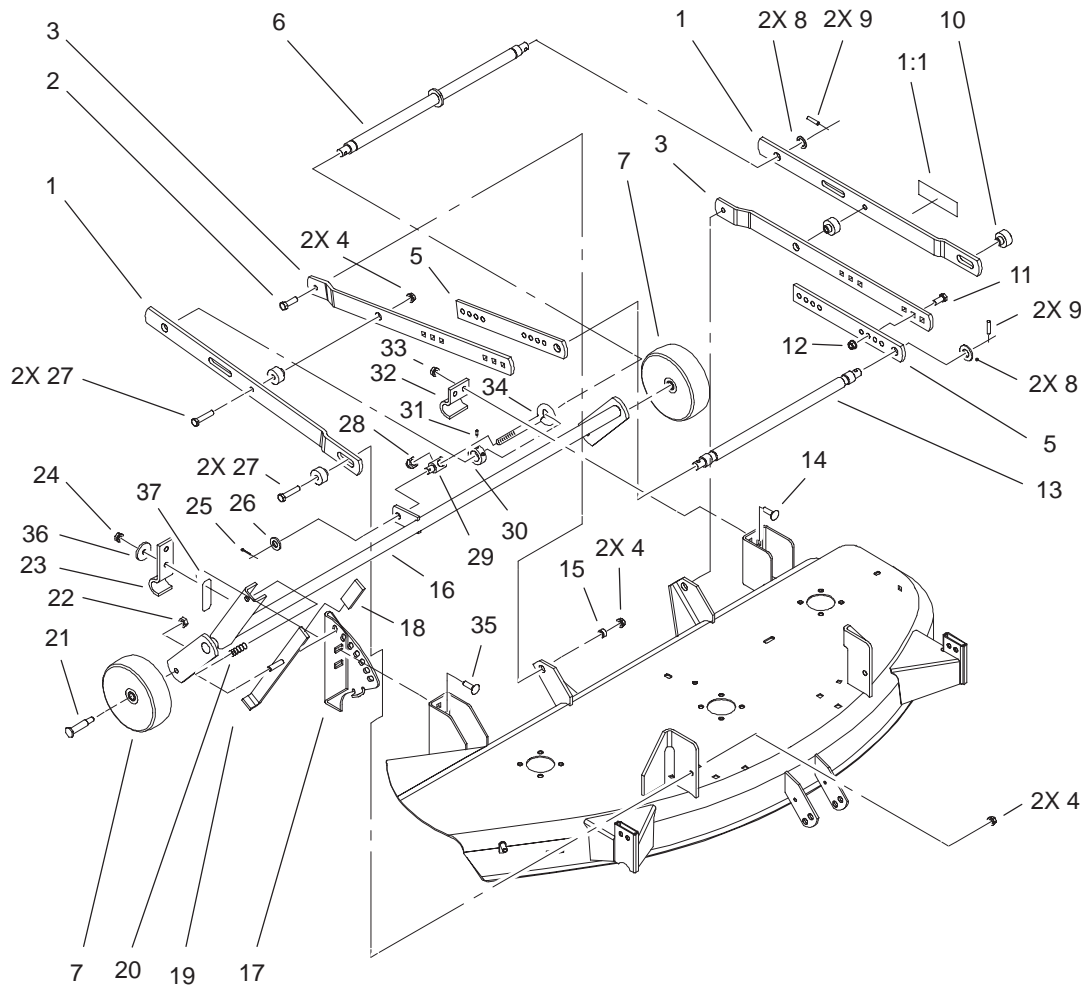


Sheet No.:3

Spindle and Blade Assembly

| Ref. No. | Part No. | Qty. | Description |
|----------|-------------|------|---------------------------|
| 1 | 95-3876 | 1 | Bar-Idler Support |
| 2 | 100071 | 1 | Spring-Extension |
| 3 | 3256-24 | 2 | Washer-Flat |
| 4 | 3253-21 | 1 | Washer-Lock |
| 5 | 323-7 | 2 | Screw-HH |
| 6 | 3296-39 | 3 | Nut-Lock, NI |
| 7 | 107675 | 2 | Washer |
| 8 | 93-1622 | 1 | Pulley-Idler |
| 9 | 107674 | 2 | Spacer-Bushing |
| 10 | 302-5 | 3 | Fitting-Grease |
| 11 | 3220-6 | 3 | Nut-Jam |
| 12 | 3253-8 | 3 | Washer-Lock |
| 13 | 95-3958 | 1 | Pulley-Double |
| 14 | 109966 | 6 | Bearing-Ball |
| 15 | 114568 | 3 | Housing-Spindle |
| 16 | 116085 | 3 | Tube |
| 17 | 32120-42 | 3 | Ring-Retaining |
| 18 | 106068 | 3 | Spacer-Blade |
| 19 | 106067 | 3 | Cup-Spindle |
| 20 | 78-6710 | 1 | Shaft-Spindle |
| 21 | 3256-28 | 3 | Washer-Flat |
| 22 | 105-1494-03 | 2 | Blade-16.25" (Outside) |
| 22 | 105-1495-03 | 1 | Blade-15.75" (Center) |
| 23 | 9202574 | 3 | Washer-Flat |
| 24 | 3220-7 | 3 | Nut-Jam |

| Ref. No. | Part No. | Qty. | Description |
|----------|----------|------|---------------------|
| 25 | 52-2861 | 2 | Washer |
| 26 | 323-9 | 1 | Screw-HH |
| 27 | 112674 | 2 | Shaft-Spindle |
| 28 | 9080326 | 12 | Screw-HH |
| 29 | 110146 | 2 | Pulley-Blade, Drive |
| 30 | 95-3878 | 1 | V-Belt |

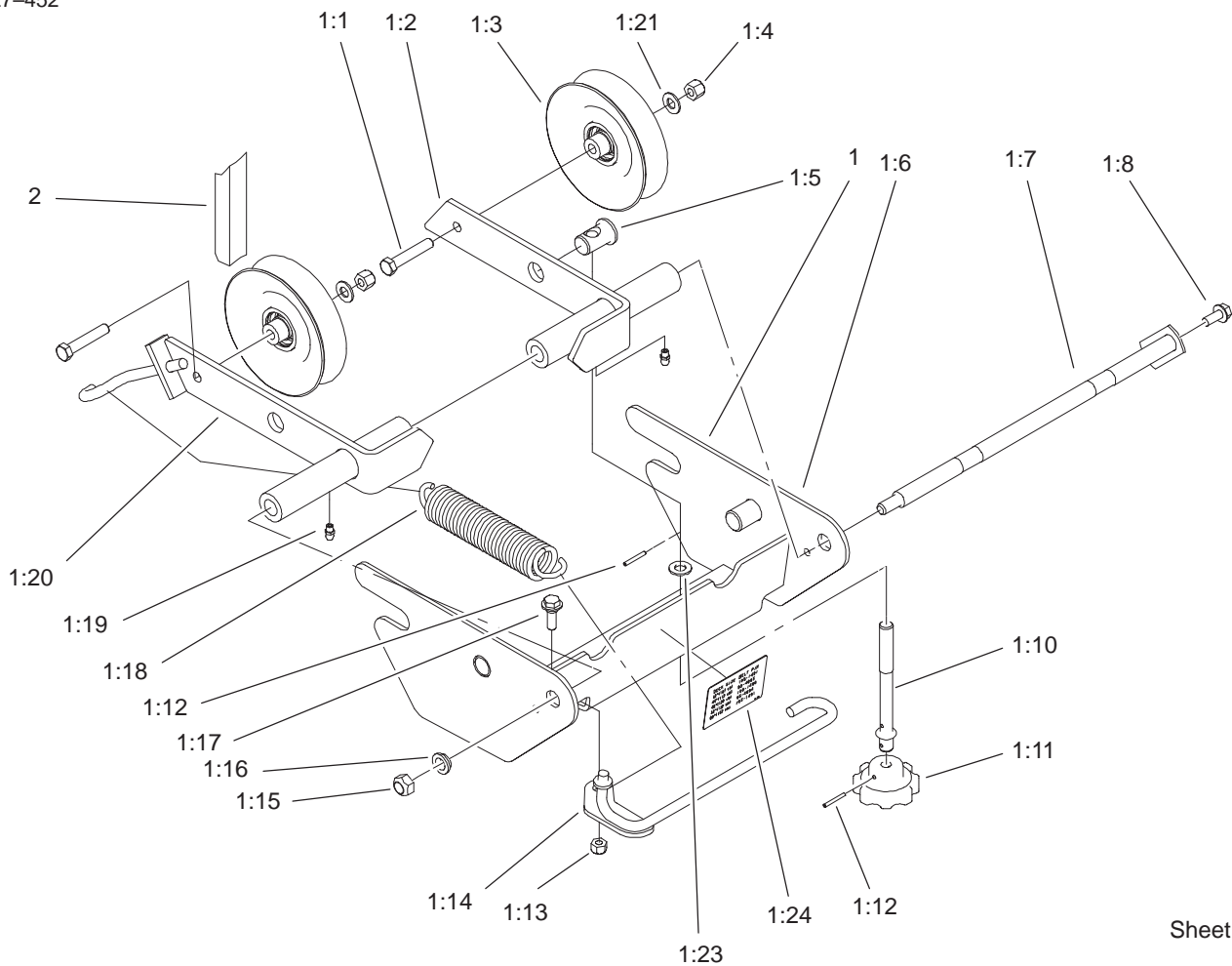


Sheet No.:4

Deck Suspension Assembly

| Ref. No. | Part No. | Qty. | Description |
|----------|------------|------|---------------------|
| 1 | 98-5042 | 1 | LH Leveler ASM |
| 1 | 98-5044 | 1 | RH Leveler ASM |
| 1:1 | 93-9367 | 1 | Decal-Warning |
| 2 | 323-7 | 2 | Screw-HH |
| 3 | 94-7801-03 | 2 | Draftbar |
| 4 | 102809 | 6 | Locknut-Flange |
| 5 | 94-7804-03 | 2 | Draftbar-Adjustment |
| 6 | 94-7943-03 | 1 | Shaft-Leveler |
| 7 | 95-4102 | 2 | Wheel |
| 8 | 3256-69 | 4 | Washer-Flat |
| 9 | 933216 | 4 | Pin-Roll, Spirol |
| 10 | 115706 | 4 | Spacer |
| 11 | 3231-38 | 4 | Screw-CARR |
| 12 | 32152-2 | 4 | Nut-Hex |
| 13 | 94-2130-03 | 1 | Shaft-Draftbar |
| 14 | 3231-2 | 2 | Screw-CARR |
| 15 | 114127 | 2 | Spacer |
| 16 | 95-3875-01 | 1 | Support-Wheel |
| 17 | 94-7544-01 | 1 | Quad-Deck |
| 18 | 102597 | 1 | Grip |
| 19 | 94-7965-01 | 1 | Lever-HOC |
| 20 | 101853 | 1 | Spring-Compression |
| 21 | 92-1057 | 2 | Bolt-Shoulder |
| 22 | 32146-2 | 2 | Nut-Lock, Nyl-Patch |
| 23 | 110837-03 | 1 | Bracket-Pivot |
| 24 | 3296-39 | 2 | Nut-Lock, NI |

| Ref. No. | Part No. | Qty. | Description |
|----------|------------|------|------------------------|
| 25 | 3272-12 | 1 | Pin-Cotter |
| 26 | 3256-26 | 1 | Washer-Flat |
| 27 | 323-9 | 4 | Screw-HH |
| 28 | 3296-23 | 1 | Nut-Lock, NI |
| 29 | 94-7802 | 1 | Trunnion |
| 30 | 94-7953 | 1 | Collar |
| 31 | 3245-2 | 2 | Screw-Set, HSH |
| 32 | 94-7543-03 | 1 | Clamp |
| 33 | 32128-40 | 2 | Nut-Flange |
| 34 | 94-7954 | 1 | Rod-Adjustment, Level |
| 35 | 3231-4 | 2 | Screw-CARR |
| 36 | 98-3479 | 1 | Washer-Support |
| 37 | 93-7282 | 1 | Decal-Wheel Adjustment |

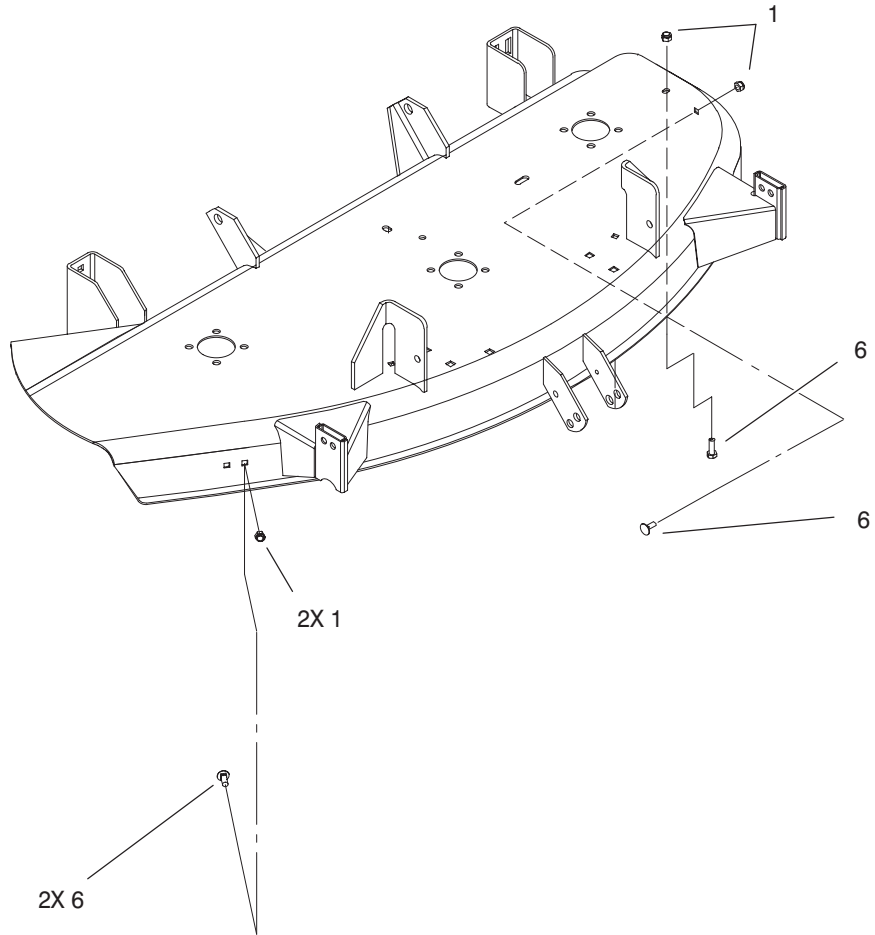


Sheet No.:5

Pulley Box Assembly

| Ref. No. | Part No. | Qty. | Description |
|----------|-------------|------|------------------------|
| 1 | 104-4699 | 1 | Pulley Box ASM |
| 1:1 | 323-10 | 2 | Screw-HH |
| 1:2 | 105-1390-03 | 1 | LH Tension Bracket ASM |
| 1:3 | 94-2447 | 2 | Pulley-Idler |
| 1:4 | 3296-39 | 2 | Nut-Lock, NI |
| 1:5 | 105-1397 | 1 | Ferrule-Adjuster |
| 1:6 | 105-1388-03 | 1 | Pulley Box ASM |
| 1:7 | 94-2423 | 1 | Rod-Pivot |
| 1:8 | 32144-70 | 1 | Screw-HH |
| 1:10 | 105-1398 | 1 | Rod-Tension |
| 1:11 | 105-1492 | 1 | Knob-Adjusting |
| 1:12 | 933156 | 2 | Pin-Spirol, Roll |
| 1:13 | 3296-29 | 1 | Nut-Lock, NI |
| 1:14 | 94-7764 | 1 | Tensioner-Idler |
| 1:15 | 3296-48 | 1 | Nut-Lock, NI |
| 1:16 | 105-1399 | 1 | Spacer-Shoulder |
| 1:17 | 19-1471 | 1 | Screw-Shoulder |
| 1:18 | 100-1196 | 1 | Spring-Extension |
| 1:19 | 302-5 | 2 | Fitting-Grease |
| 1:20 | 105-1393-03 | 1 | RH Tension Bracket ASM |
| 1:21 | 48-9220 | 2 | Washer |
| 1:23 | 9202634 | 1 | Washer |
| 1:24 | 105-1500 | 1 | Decal-Pulley Box |
| 2 | 105-1490 | 1 | Belt-V |

| Ref. No. | Part No. | Qty. | Description |
|----------|----------|------|-------------|
| | | | |
| | | | |
| | | | |

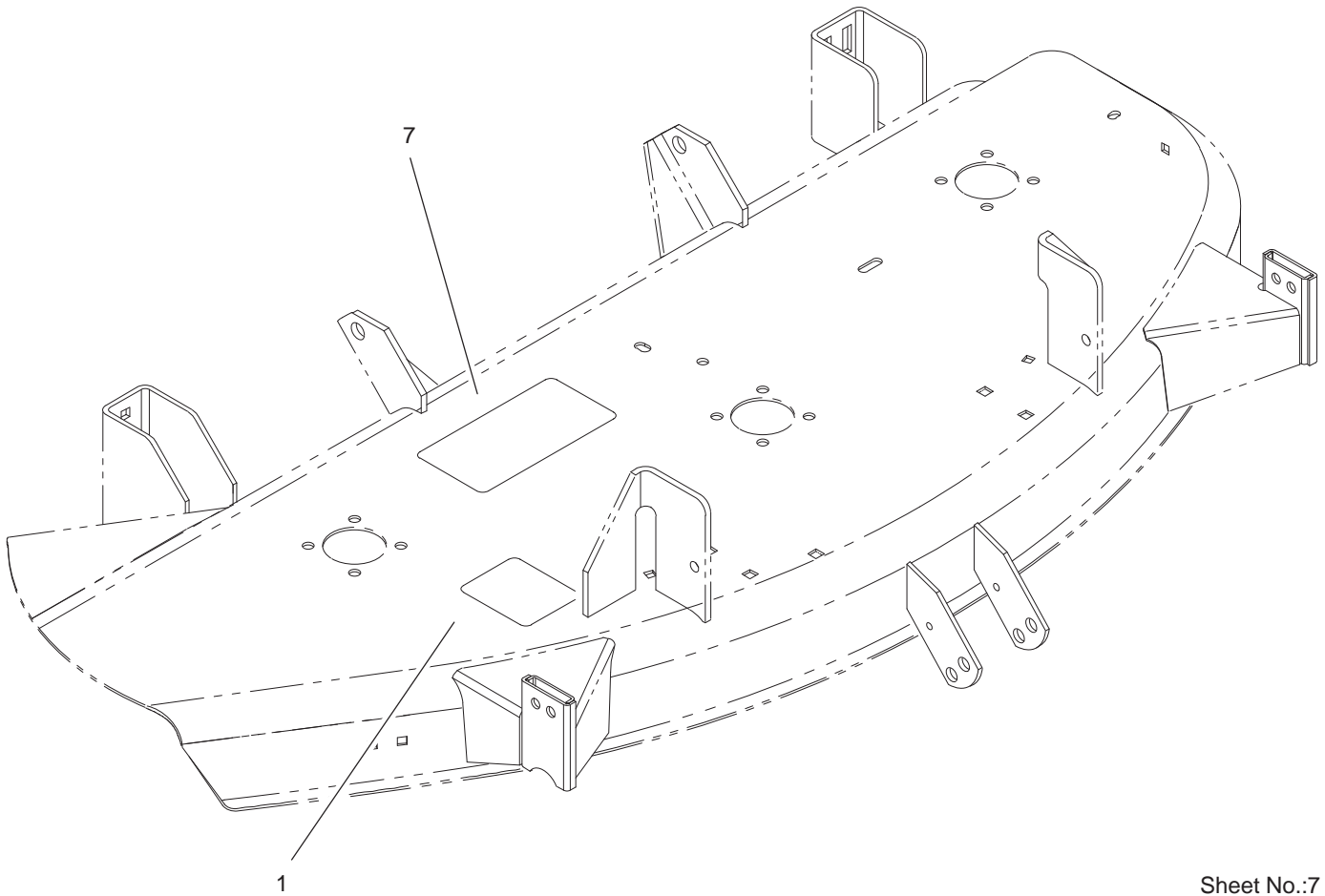


Sheet No.:6

Baffle Assembly

| Ref. No. | Part No. | Qty. | Description |
|----------|----------|------|--------------|
| 1 | 3296-29 | 4 | Nut-Lock, NI |
| 6 | 3230-18 | 4 | Screw-CARR |

| Ref. No. | Part No. | Qty. | Description |
|----------|----------|------|-------------|
| | | | |
| | | | |
| | | | |
| | | | |
| | | | |
| | | | |
| | | | |
| | | | |
| | | | |



Sheet No.:7

Decal Assembly

| Ref. No. | Part No. | Qty. | Description |
|----------|----------|------|--------------------|
| 1 | 98-3481 | 1 | Decal-Belt Routing |
| 7 | 98-3480 | 1 | Decal-Belt Routing |

| Ref. No. | Part No. | Qty. | Description |
|----------|----------|------|-------------|
|----------|----------|------|-------------|

