



48in Side Discharge Mower
260 Series Lawn and Garden Tractor
Model No. 78269—22000001 and Up

Parts Catalog

Ordering Replacement Parts

To order replacement parts, please supply: the part number, the quantity, and the description of each part desired.

Understanding Reference Numbers

Each identified part in an illustration has a reference number. The reference number for a part also appears in the parts list, along with other information about the part.

This catalog uses two special reference number formats, one to indicate parts in a service assembly and another to indicate the quantity of a given part in an illustration.

Service Assembly Reference Numbers

Parts in service assemblies have reference numbers in the form **a:b**. The **a** represents the reference number of the entire service assembly and the **b** represents a sequential number unique to each part within the service assembly.

For example, a wheel assembly might be identified by reference number **6**, the tire by **6:1**, the valve by **6:2**, and the wheel by **6:3**. When you order the assembly identified by reference number **6**, you receive all parts identified by reference numbers **6:1**, **6:2**, and **6:3**. However, you may also order any part individually.

Reference numbers of this type appear in illustrations and in part lists.

Reference Numbers Indicating Quantity

In an illustration, if a reference number indicates more than one part, the reference number has the form **nX y**. The **n** represents the quantity of the part, the **X** is the multiplication symbol, and the **y** represents the reference number.

For example, in an illustration, the reference number **2X 37** means that two of the parts identified by reference number **37** are indicated.

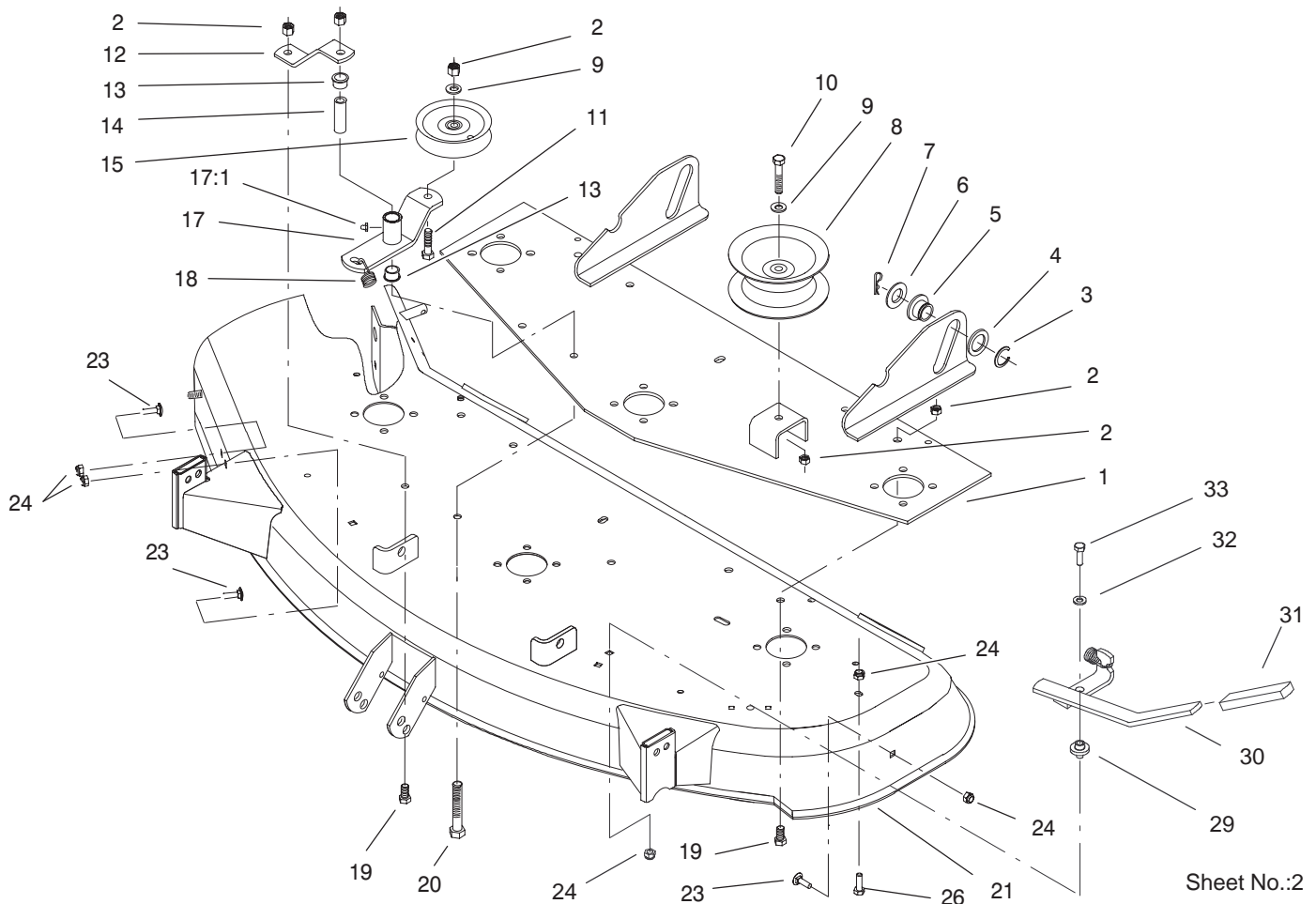
Contents

| Description | Page | Description | Page |
|---|-------------|--------------------------------|-------------|
| Deck and Reinforcement Plate Assembly | 3 | Deck Suspension Assembly | 5 |
| Spindle and Blade Assembly | 4 | Decal Assembly | 6 |

Part Description Abbreviations

Part descriptions in this catalog may include the following abbreviations.

| Abbreviation | Meaning | Abbreviation | Meaning |
|---------------------|-----------------------------------|---------------------|-------------------------|
| AR | as required | HYD | hydraulic |
| ASM | assembly | INC | incorporated |
| CARR | carriage | LH | left hand |
| DEG | degrees | NI | nylon insert |
| FH | flat head | PPH | Phillips pan head |
| GA | gauge | PTH | Phillips truss head |
| HF | hex flange | PTO | power take off |
| HH | hex head | RH | right hand |
| HHF | hex head flange | SFH | slotted fillister head |
| HLH | hex lag head | SHH | slotted hex head |
| HJ | hex jam | SQH | square head |
| HOC | height-of-cut | SHWH | slotted hex washer head |
| HS | hex socket | SPH | slotted pan head |
| HSBH | hex socket button head | SRH | slotted round head |
| HSFH | hex socket flat head | STD | standard |
| HSH | hex socket head | TAP | self tapping |
| HWH | hex washer head | TTH | Torx truss head |
| HWHTF | hex washer head thread forming | WH | wing head |

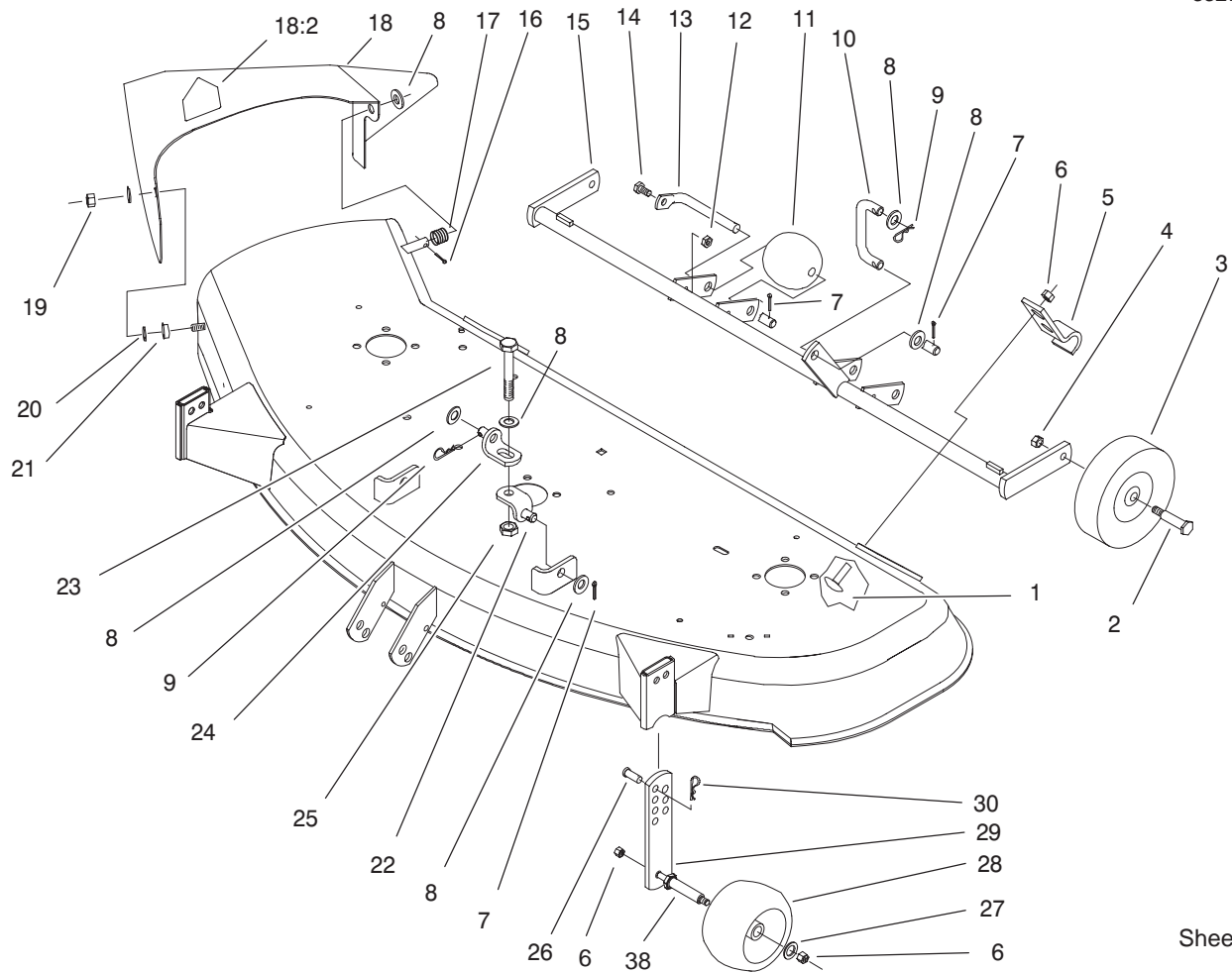


Sheet No.:2

Deck and Reinforcement Plate Assembly

| Ref. No. | Part No. | Qty. | Description |
|----------|------------|------|-----------------------|
| 1 | 94-9782-01 | 1 | Support-Deck |
| 2 | 3296-39 | 8 | Nut-Lock, NI |
| 3 | 32151-29 | 2 | Ring-Retaining |
| 4 | 9202394 | 2 | Washer |
| 5 | 78-7340 | 2 | Roller-Lift |
| 6 | 3256-28 | 2 | Washer-Flat |
| 7 | 9335074 | 2 | Pin-Hair |
| 8 | 92-7082 | 1 | Pulley-Idler |
| 9 | 3256-24 | 2 | Washer-Flat |
| 10 | 323-11 | 1 | Screw-HH |
| 11 | 323-9 | 1 | Screw-HH |
| 12 | 78-3140-03 | 1 | Strap-Brace |
| 13 | 109859 | 2 | Bushing |
| 14 | 79-2760 | 1 | Spacer |
| 15 | 92-7084 | 1 | Pulley-Flat Idler |
| 17 | 98-9006 | 1 | Arm-Idler |
| 17:1 | 302-5 | 1 | Fitting-Grease |
| 18 | 116172 | 1 | Spring-Extension |
| 19 | 323-6 | 5 | Screw-HH |
| 20 | 323-14 | 1 | Screw-HH |
| 21 | 105-1515 | 1 | 48" Deck/Decal ASM |
| 23 | 3230-18 | 3 | Screw-CARR |
| 24 | 3296-29 | 5 | Nut-Lock, NI |
| 26 | 3230-18 | 1 | Screw-CARR |
| 29 | 88-5010 | 1 | Spacer-Steering, Rack |

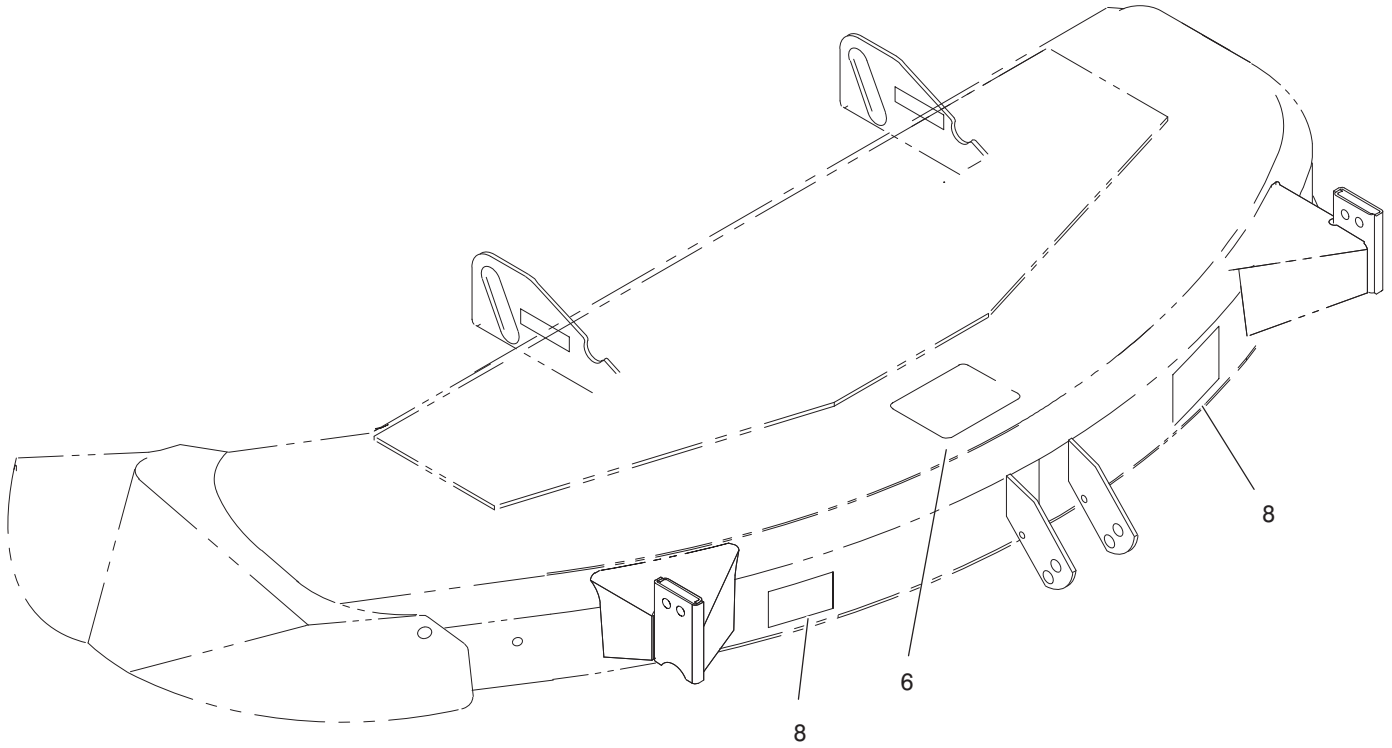
| Ref. No. | Part No. | Qty. | Description |
|----------|------------|------|-------------|
| 30 | 94-9738-03 | 1 | Lever |
| 31 | 103712 | 1 | Grip |
| 32 | 3256-23 | 1 | Washer-Flat |
| 33 | 322-6 | 1 | Screw-HH |



Sheet No.:4

Deck Suspension Assembly

| Ref. No. | Part No. | Qty. | Description | Ref. No. | Part No. | Qty. | Description |
|----------|------------|------|---------------------|----------|----------|------|------------------|
| 1 | 3231-25 | 4 | Screw-CARR | 26 | 283-2 | 2 | Pin-Clevis |
| 2 | 92-1057 | 2 | Bolt-Shoulder | 27 | 3256-24 | 2 | Washer-Flat |
| 3 | 92-6959 | 2 | Wheel | 28 | 68-2730 | 2 | Wheel-Gage |
| 4 | 32146-2 | 2 | Nut-Lock, NI | 29 | 100-8736 | 2 | Plate-Gage Wheel |
| 5 | 110837-03 | 2 | Bracket-Pivot | 30 | 9335054 | 2 | Pin-Hair |
| 6 | 3296-39 | 8 | Nut-Lock, NI | 38 | 99-2842 | 2 | Spacer-Wheel |
| 7 | 3272-21 | 6 | Pin-Cotter | | | | |
| 8 | 3256-26 | 9 | Washer-Flat | | | | |
| 9 | 9335064 | 3 | Pin-Cotter, Hair | | | | |
| 10 | 79-5380 | 1 | Link-Rear | | | | |
| 11 | 29-4820 | 3 | Roller | | | | |
| 12 | 3296-42 | 3 | Nut-Lock, NI | | | | |
| 13 | 118960-03 | 3 | Shaft-Roller | | | | |
| 14 | 321-4 | 3 | Screw-HH | | | | |
| 15 | 79-4140-03 | 1 | Support-Gage Wheel | | | | |
| 16 | 3272-10 | 1 | Pin-Cotter | | | | |
| 17 | 93-1630 | 1 | Spring-Deflector | | | | |
| 18 | 99-3707 | 1 | Chute ASM (Int'l) | | | | |
| 18:2 | 93-7316 | 1 | Decal-Danger, Int'l | | | | |
| 19 | 9152366 | 1 | Nut-HJ | | | | |
| 20 | 93-1633 | 2 | Washer | | | | |
| 21 | 116080 | 1 | Bushing-Pivot | | | | |
| 22 | 86-9250 | 2 | Bracket-Lift, Upper | | | | |
| 23 | 325-13 | 2 | Screw-HH | | | | |
| 24 | 86-9240 | 2 | Bracket-Lift, Lower | | | | |
| 25 | 3218-5 | 2 | Nut-Jam | | | | |



Sheet No.:5

Decal Assembly

| Ref. No. | Part No. | Qty. | Description |
|----------|----------|------|-------------------------|
| 6 | 93-7325 | 1 | Decal-Belt Installation |
| 8 | 93-7282 | 2 | Decal-Wheel Adjustment |

| Ref. No. | Part No. | Qty. | Description |
|----------|----------|------|-------------|
| | | | |
| | | | |
| | | | |
| | | | |
| | | | |
| | | | |
| | | | |
| | | | |
| | | | |

Maintenance Record

| Date | | | | | | | | |
|------|--|--|--|--|--|--|--|--|
| | | | | | | | | |
| | | | | | | | | |
| | | | | | | | | |
| | | | | | | | | |
| | | | | | | | | |
| | | | | | | | | |
| | | | | | | | | |
| | | | | | | | | |
| | | | | | | | | |
| | | | | | | | | |
| | | | | | | | | |
| | | | | | | | | |
| | | | | | | | | |
| | | | | | | | | |
| | | | | | | | | |
| | | | | | | | | |
| | | | | | | | | |
| | | | | | | | | |
| | | | | | | | | |
| | | | | | | | | |
| | | | | | | | | |
| | | | | | | | | |
| | | | | | | | | |

