



Wheelhorse L & GT
48" Rotary Cutting Unit

Model No. 78268 – 8900001 & Up

Parts Catalog

ORDERING REPLACEMENT PARTS

To order replacement parts, please supply: the part number, the quantity, and the description of each part desired.

Contents

| Description | Page | Description | Page |
|-------------------------------------|------|--------------|------|
| Deck Assembly | 1 | Decals | 4 |
| Spindles & Covers | 2 | Note: | |
| Discharge Chute & Gage Wheels | 3 | | |

Part Description Abbreviations

Part descriptions in this catalog may include the following abbreviations.

| Abbreviation | Meaning | Abbreviation | Meaning |
|--------------|------------------------|--------------|-------------------------|
| AR | as required | HWHTF | hex washer head |
| ASM | assembly | | thread forming |
| CARR | carriage | INC | incorporated |
| DEG | degrees | LH | left hand |
| FH | flat head | PH | pan head |
| GA | gauge | PPH | Phillips pan head |
| HF | hex flange | PTO | power take off |
| HFV | hex flange washer | RH | right hand |
| HH | hex head | SFH | slotted fillister head |
| HHF | hex head flange | SH | square head |
| HHST | hex head self tapping | SHWH | slotted hex washer head |
| HJ | hex jam | SPH | slotted pan head |
| HOC | height-of-cut | STD | standard |
| HS | hex socket | TAP | self tapping |
| HSBH | hex socket button head | TH | truss head |
| HSFH | hex socket flat head | TTH | Torx truss head |
| HSH | hex socket head | WH | wing head |
| HWH | hex washer head | | |

Important Format Explanations

This catalog uses special formats to convey information in illustrations and parts lists. Specifically, one format is used in conjunction with service assemblies and another with quantities associated with reference numbers.

Service Assemblies

Parts within service assemblies have reference numbers in the form X:Y. X is the reference number of the service assembly and Y is a sequential number unique to each part within the service assembly.

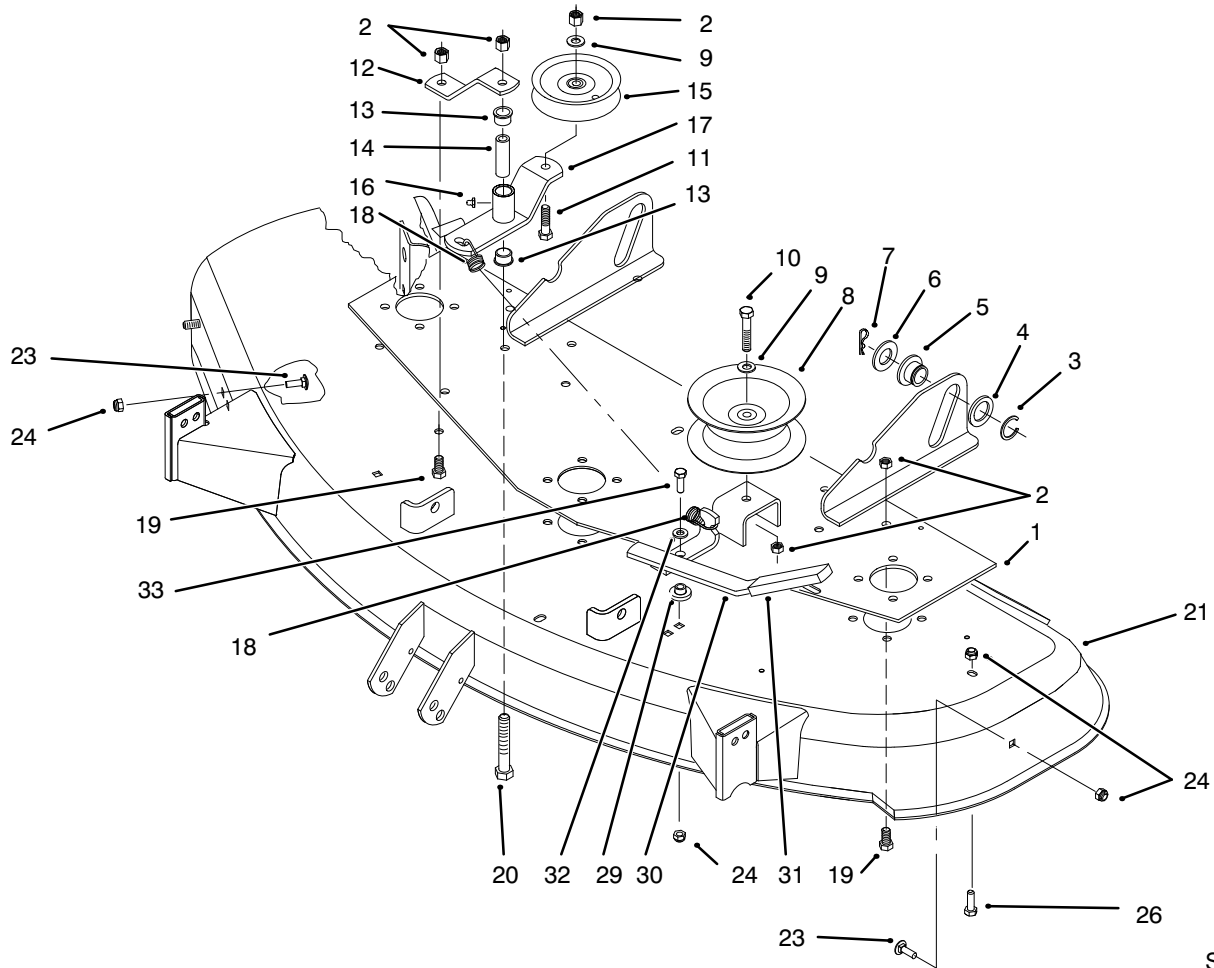
For example, a wheel assembly might be identified by reference number 6, the tire by 6:1, the valve by 6:2, and the wheel by 6:3. When you order the assembly identified by reference number 6, you receive all parts identified by reference numbers 6:1, 6:2, and 6:3. However, you may also order any part individually.

Reference numbers of this type appear in part lists and as callouts in illustrations.

Reference Numbers with Quantities

Illustrations may have a quantity in parentheses next to a reference number, in the form X (Y). X is the reference number. Y in parentheses is the quantity of the part identified by the reference number.

For example, the illustration callout 4 (2) indicates that two parts are used in that instance.

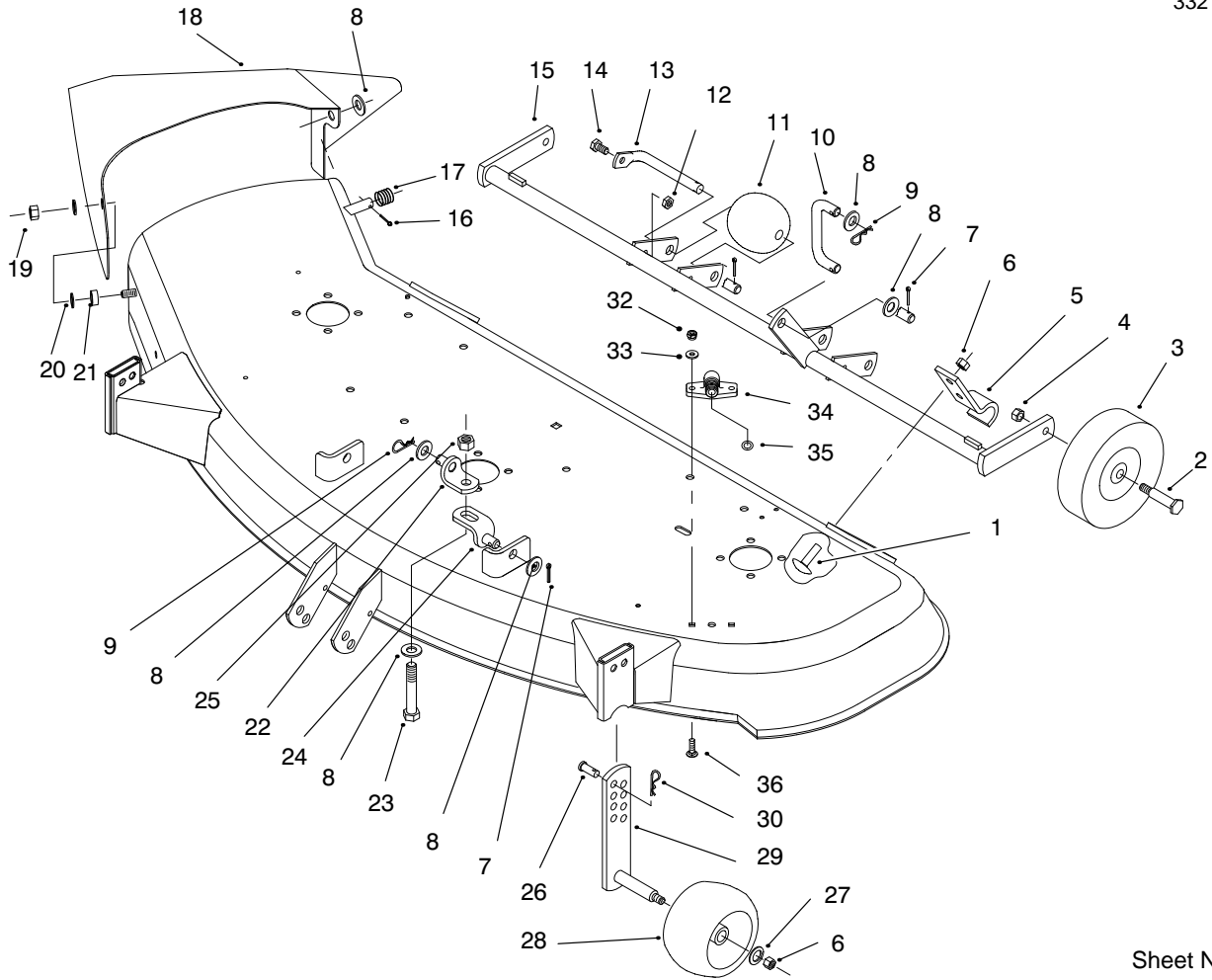


Sheet No.: 2

Deck Assembly

| Ref. No. | Part No. | Qty. | Description |
|----------|------------|------|------------------|
| 1 | 94-9756-01 | 1 | Deck Support Asm |
| 2 | 3296-39 | 8 | Nut-Lock |
| 3 | 32151-29 | 2 | Ring-Retaining |
| 4 | 9202394 | 2 | Washer |
| 5 | 78-7340 | 2 | Roller-Lift |
| 6 | 3256-28 | 2 | Washer-Flat |
| 7 | 9335074 | 2 | Cotter-Hairpin |
| 8 | 92-7082 | 1 | Pulley-Idler |
| 9 | 3256-24 | 2 | Washer-Flat |
| 10 | 323-11 | 1 | Screw |
| 11 | 323-9 | 1 | Screw-HH |
| 12 | 78-3140-03 | 1 | Strap-Brace |
| 13 | 109859 | 2 | Bushing |
| 14 | 79-2760 | 1 | Spacer-Pivot |
| 15 | 92-7084 | 1 | Pulley-Idler |
| 16 | 302-26 | 1 | Fitting-Grease |
| 17 | 78-3150-03 | 1 | Arm |
| 18 | 116172 | 1 | Spring-Extension |
| 19 | 323-6 | 5 | Screw-HH |
| 20 | 323-14 | 1 | Screw-HH |
| 21 | 94-9792 | 1 | Deck / Decal Asm |
| 23 | 3230-18 | 3 | Bolt-CARR |
| 24 | 3296-29 | 5 | Nut-Lock |
| 26 | 322-5 | 2 | Screw-HH |
| 29 | 88-5010 | 1 | Spacer |
| 30 | 94-9738 | 1 | Lever Asm |

| Ref. No. | Part No. | Qty. | Description |
|----------|----------|------|-------------|
| 31 | 103712 | 1 | Grip |
| 32 | 3256-23 | 1 | Washer-Flat |
| 33 | 322-6 | 1 | Screw-HH |



Sheet No.: 4

Discharge Chute & Gage Wheels

| Ref. No. | Part No. | Qty. | Description |
|----------|------------|------|-------------------|
| 1 | 3231-25 | 4 | Screw-CARR |
| 2 | 5188 | 2 | Screw-HSH |
| 3 | 110506 | 2 | Wheel-Gage |
| 4 | 32146-2 | 2 | Nut-Lock |
| 5 | 110837-03 | 2 | Bracket-Pivot |
| 6 | 3296-39 | 6 | Nut-Lock |
| 7 | 3272-21 | 6 | Pin-Cotter |
| 8 | 3256-26 | 9 | Washer-Flat |
| 9 | 9335064 | 3 | Hairpin |
| 10 | 79-5380 | 1 | Link-Rear |
| 11 | 29-4820 | 3 | Roller |
| 12 | 3296-42 | 3 | Nut-Lock |
| 13 | 118960 | 3 | Shaft-Roller |
| 14 | 321-4 | 3 | Screw-HH |
| 15 | 79-4140-03 | 1 | Support |
| 16 | 3272-10 | 1 | Pin-Cotter |
| 17 | 93-1630 | 1 | Spring-Deflector |
| 18 | 88-2750-01 | 1 | Chute / Decal Asm |
| 19 | 9152366 | 1 | Nut-Jam Lock |
| 20 | 93-1633 | 2 | Washer-Nylon |
| 21 | 116080 | 1 | Bushing-Pvt |
| 22 | 86-9250 | 2 | Bracket |
| 23 | 325-13 | 2 | Screw-HH |
| 24 | 86-9240 | 2 | Bracket |
| 25 | 3218-5 | 2 | Nut-Jam |
| 26 | 283-2 | 2 | Pin-Clevis |

| Ref. No. | Part No. | Qty. | Description |
|----------|----------|------|------------------|
| 27 | 3256-24 | 2 | Washer-Flat |
| 28 | 68-2730 | 2 | Wheel-Gage |
| 29 | 68-2350 | 2 | Plate-Gage Wheel |
| 30 | 9335054 | 2 | Hairpin |
| 32 | 3296-16 | 2 | Nut - Lock |
| 33 | 3256-1 | 2 | Washer - Flat |
| 34 | 95-2747 | 1 | Fitting Washout |
| 35 | 46-6290 | 1 | O-Ring |
| 36 | 3229-1 | 2 | Bolt - Carriage |

Toro Part Number Index

| Part No. | Page No. | Ref. No. | Qty. | Description |
|------------|----------|----------|------|------------------------|
| 5188 | 3 | 2 | 2 | Screw-HSH |
| 103712 | 1 | 31 | 1 | Grip |
| 106067 | 2 | 6 | 3 | Cup-Spindle |
| 106068 | 2 | 7 | 3 | Spacer |
| 106637 | 2 | 3 | 3 | Kit-Blade, Set of 3 |
| 109859 | 1 | 13 | 2 | Bushing-Flg |
| 109966 | 2 | 9 | 6 | Bearing-Ball |
| 110506 | 3 | 3 | 2 | Wheel-Gage |
| 114568 | 2 | 11 | 3 | Housing-Spindle |
| 116080 | 3 | 21 | 1 | Bushing |
| 116085 | 2 | 10 | 3 | Tube |
| 116172 | 1 | 18 | 1 | Spring-Extension |
| 118960 | 3 | 13 | 3 | Shaft-Roller |
| 9080326 | 2 | 12 | 12 | Screw-HH |
| 9152366 | 3 | 19 | 1 | Nut-Jam Lock |
| 9202394 | 1 | 4 | 2 | Washer |
| 9202574 | 2 | 4 | 3 | Washer |
| 9335054 | 3 | 30 | 2 | Hairpin |
| 9335064 | 3 | 9 | 3 | Hairpin |
| 9335074 | 1 | 7 | 2 | Cotter-Hairpin |
| 29-4820 | 3 | 11 | 3 | Roller |
| 46-6290 | 3 | 35 | 1 | O-Ring |
| 68-2350 | 3 | 29 | 2 | Plate-Gage Wheel |
| 68-2730 | 3 | 28 | 2 | Wheel-Gage |
| 78-3140-03 | 1 | 12 | 1 | Strap-Brace |
| 78-3150-03 | 1 | 17 | 1 | Arm |
| 78-6710 | 2 | 5 | 3 | Shaft-Spindle |
| 78-7340 | 1 | 5 | 2 | Roller-Lift |
| 79-2760 | 1 | 14 | 1 | Spacer-Pivot |
| 79-4140-03 | 3 | 15 | 1 | Support |
| 79-5380 | 3 | 10 | 1 | Link-Rear |
| 86-9210 | 2 | 26 | 1 | Cover-Belt |
| 86-9220 | 2 | 25 | 1 | Cover-Belt |
| 86-9240 | 3 | 24 | 2 | Bracket |
| 86-9250 | 3 | 22 | 2 | Bracket |
| 88-2750-01 | 3 | 18 | 1 | Chute / Decal Asm |
| 88-5010 | 1 | 29 | 1 | Spacer |
| 92-6958 | 2 | 15 | 1 | V-Belt |
| 92-7082 | 1 | 8 | 1 | Pulley-Idler |
| 92-7083 | 2 | 14 | 3 | Pulley |
| 92-7084 | 1 | 15 | 1 | Pulley-Idler |
| 93-7282 | 4 | 8 | 2 | Decal-Wheel Adjustment |
| 93-7316 | 4 | 4 | 1 | Decal-Danger |
| 93-7317 | 4 | 2 | 2 | Decal-Danger |
| 93-1630 | 3 | 17 | 1 | Spring-Deflector |
| 93-1633 | 3 | 20 | 2 | Washer-Nylon |
| 93-7325 | 4 | 6 | 1 | Decal-Belt |
| 94-9738 | 1 | 30 | 1 | Lever Asm |
| 94-9756-01 | 1 | 1 | 1 | Deck Support Asm |
| 94-9761 | 3 | 31 | 1 | Decal-Deck |
| 94-9792 | 1 | 21 | 1 | Deck / Decal Asm |
| 95-2747 | 3 | 34 | 1 | Fitting Washout |
| 110837-03 | 3 | 5 | 2 | Bracket-Pivot |
| 283-2 | 3 | 26 | 2 | Pin-Clevis |
| 302-5 | 2 | 18 | 3 | Fitting-Grease |
| 302-26 | 1 | 16 | 1 | Fitting-Grease |
| 321-4 | 3 | 14 | 3 | Screw-HH |
| 322-5 | 1 | 26 | 2 | Screw-HH |
| 322-6 | 1 | 33 | 1 | Screw-HH |
| 323-6 | 1 | 19 | 5 | Screw-HH |
| 323-9 | 1 | 11 | 1 | Screw-HH |
| 323-11 | 1 | 10 | 1 | Screw |

*Not Illustrated

Toro Part Number Index (cont.)

| Part No. | Page No. | Ref. No. | Qty. | Description |
|----------|----------|----------|------|----------------|
| 323-14 | 1 | 20 | 1 | Screw-HH |
| 325-13 | 3 | 23 | 2 | Screw-HH |
| 3218-5 | 3 | 25 | 2 | Nut-Jam |
| 3220-6 | 2 | 17 | 3 | Nut-Jam |
| 3220-7 | 2 | 1 | 3 | Nut-Jam |
| 3229-1 | 3 | 36 | 2 | Bolt-CARR |
| 3230-18 | 1 | 23 | 3 | Bolt-CARR |
| 3231-25 | 3 | 1 | 4 | Screw-CARR |
| 3253-8 | 2 | 16 | 3 | Washer-Lock |
| 3256-1 | 3 | 33 | 2 | Washer-Flat |
| 3256-22 | 2 | 24 | 6 | Washer-Flat |
| 3256-23 | 1 | 32 | 1 | Washer-Flat |
| 3256-24 | 1 | 9 | 2 | Washer-Flat |
| 3256-24 | 3 | 27 | 2 | Washer-Flat |
| 3256-26 | 3 | 8 | 9 | Washer-Flat |
| 3256-28 | 1 | 6 | 2 | Washer-Flat |
| 3256-28 | 2 | 2 | 3 | Washer-Flat |
| 3272-10 | 3 | 16 | 1 | Pin-Cotter |
| 3272-21 | 3 | 7 | 6 | Pin-Cotter |
| 3296-16 | 3 | 32 | 2 | Nut-Lock |
| 3296-29 | 1 | 24 | 5 | Nut-Lock |
| 3296-39 | 1 | 2 | 8 | Nut-Lock |
| 3296-39 | 3 | 6 | 6 | Nut-Lock |
| 3296-42 | 3 | 12 | 3 | Nut-Lock |
| 32120-42 | 2 | 8 | 3 | Ring-Int Ret |
| 32144-4 | 2 | 23 | 6 | Screw-TAP |
| 32146-2 | 3 | 4 | 2 | Nut-Lock |
| 32151-29 | 1 | 3 | 2 | Ring-Retaining |