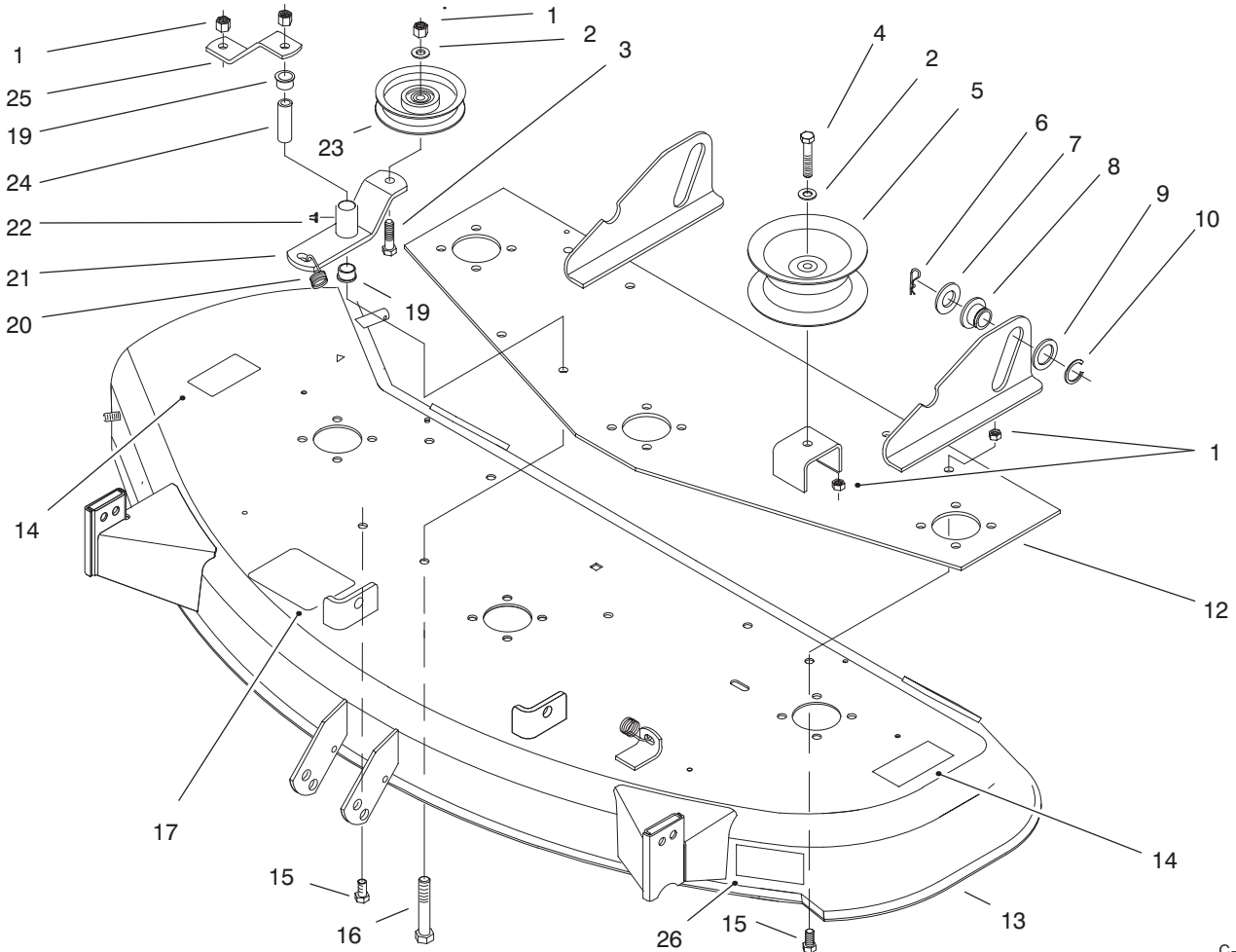




MODEL NO. 78268-6900001 & UP

**PARTS  
CATALOG**

**WHEEL HORSE**  
48" Rotary Cutting Unit

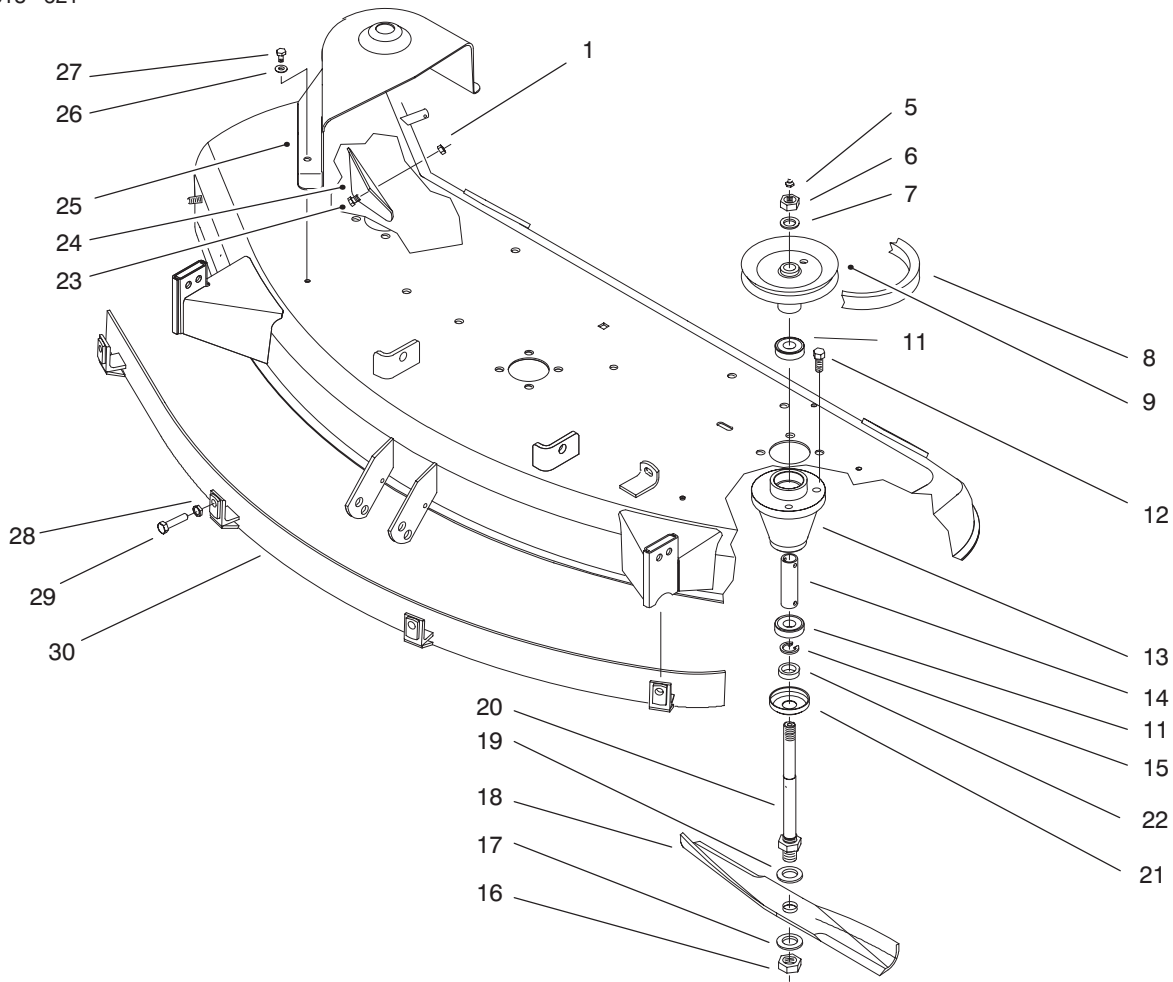


C-2553

**DECK & IDLER ASSEMBLY**

Ref. No.	Part No.	Description	Qty.
1	3296-39	Nut - Hex	8
2	3256-24	Washer - Flat	2
3	323-9	Screw - HH	1
4	323-11	Screw - HH	1
5	92-7082	Pulley - Idler	1
6	9335074	Hairpin - Cotter	2
7	3256-28	Washer - Flat	2
8	78-7340	Roller - Lift	2
9	9202394	Washer	2
10	32151-29	Ring - Retaining	2
12	79-4410-01	Plate - Support	1
13	94-1578	Deck & Decal ASM (Incl. Ref.# 14)	1

Ref. No.	Part No.	Description	Qty.
14	93-7317	Decal - Danger	2
15	323-6	Screw - HH	5
16	323-14	Screw - HH	1
17	93-7325	Decal - Belt	1
19	109859	Bushing - Flange	2
20	116172	Spring	1
21	78-3150-03	Arm - Idler	1
22	302-26	Fitting - Grease	1
23	92-7084	Pulley - Idler	1
24	79-2760	Spacer	1
25	78-3140-03	Strap - Brace	1
26	93-7282	Decal - Wheel Adjust.	2

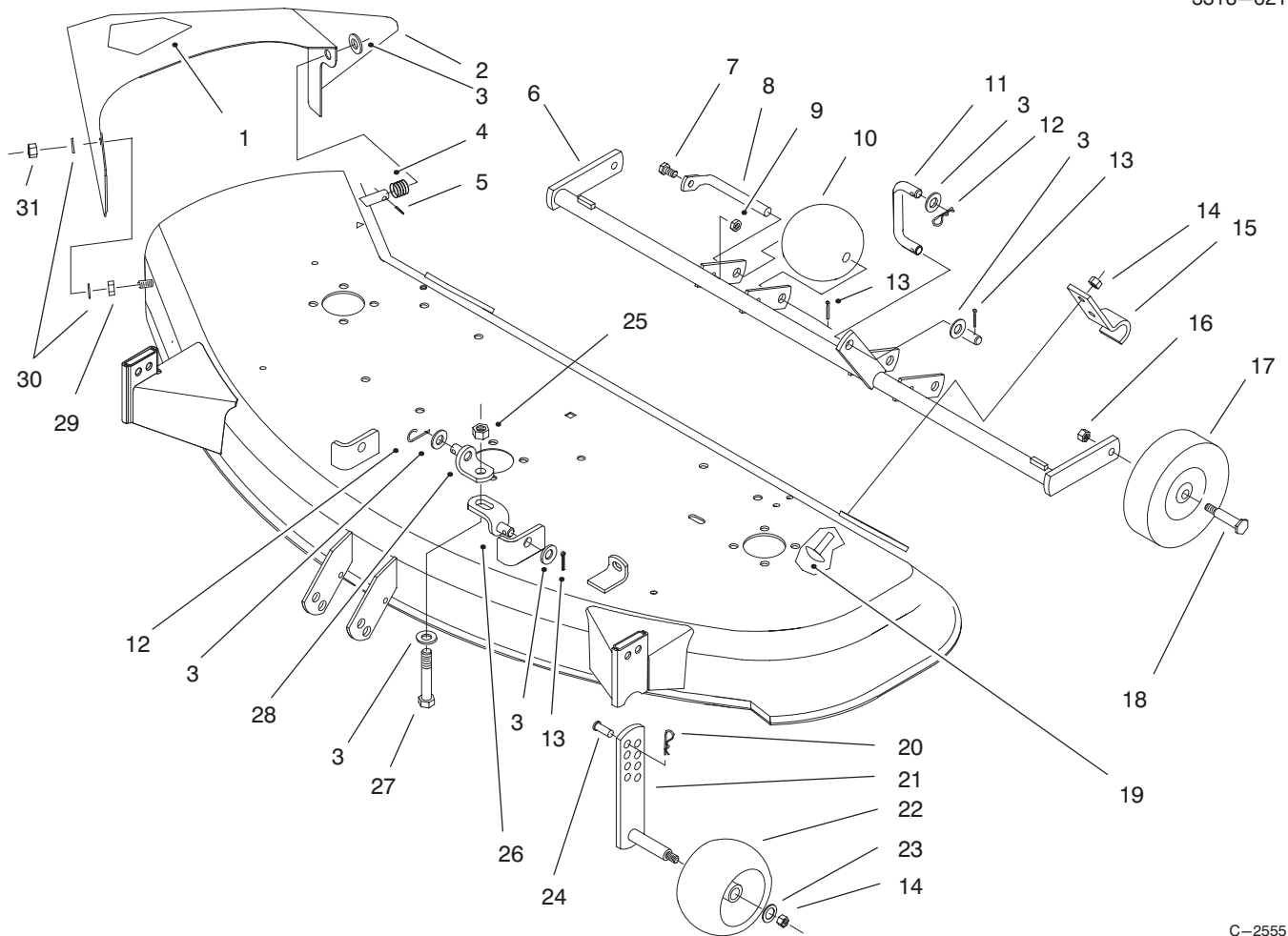


C-2554

## COVER & SPINDLE ASSEMBLY

Ref. No.	Part No.	Description	Qty.	Ref. No.	Part No.	Description	Qty.
1	3296-29	Nut - Hex	2	19	3256-28	Washer - Flat	3
5	302-5	Fitting - Grease	3	20	78-6710	Shaft - Spindle	3
6	3220-6	Nut - Jam	3	21	106067	Cup - Spindle	3
7	3253-8	Washer - Lock	3	22	106068	Spacer - Blade	3
8	79-5280	Belt - V	1	23	322-3	Screw - HH	2
9	92-7083	Pulley - Spindle	3	24	93-1610-01	Guard - Chute	1
11	109966	Bearing - Ball	6	25	86-9220	Cover - Belt R.H.	1
12	9080326	Screw - HH	12	*	86-9210	Cover - Belt L.H.	1
13	114568	Housing - Spindle	3	26	3256-22	Washer - Flat	6
14	116085	Tube	3	27	32144-4	Screw - Hex Washer Hd. Thread Forming	6
15	32120-42	Ring - Retaining Internal	3	28	3218-3	Nut - Hex	4
16	3220-7	Nut - Hex Jam	3	29	9114454	Screw - HH	4
17	9202574	Washer - Flat	3	30	93-0542	Shield	1
18	106637	Set - Blade, 16"	1				

\*Not Illustrated



C-2555

## SUSPENSION ASSEMBLY

Ref. No.	Part No.	Description	Qty.	Ref. No.	Part No.	Description	Qty.
1	93-7316	Decal - Danger	1	16	32146-2	Nut - Hex	2
2	94-1836	Chute & Decal Assembly (Incl. Ref.# 1)	1	17	110506	Wheel - Gage	2
3	3256-26	Washer - Flat	9	18	5188	Bolt - Shoulder	2
4	93-1630	Spring	1	19	3231-25	Screw - HH	4
5	3272-10	Pin - Cotter	1	20	933505	Hairpin - Cotter	2
6	79-4140-03	Support - Gage Wheel	1	21	68-2350	Plate - Gage Wheel	2
7	321-4	Screw - HH	3	22	68-2730	Wheel - Gage	2
8	118960	Shaft - Roller	3	23	3256-24	Washer - Flat	2
9	3296-42	Hex Nut	3	24	283-2	Pin - Yoke	2
10	29-4820	Roller	3	25	3218-5	Nut - Jam	2
11	79-5380	Link - Rear	1	26	86-9240	Bracket - Lower Lift	2
12	9335064	Hairpin - Cotter	3	27	325-13	Screw - HH	2
13	3272-21	Pin - Cotter	6	28	86-9250	Bracket - Upper Lift	2
14	3296-39	Nut - Hex	6	29	116080	Bushing - Pivot	1
15	110837	Bracket - Pivot	2	30	93-1633	Washer - Nylon	2
				31	9152366	Nut - Hex	1

# TORO PART NUMBER INDEX

Part No.	Description	Pg. Ref. No. No. Qty.	Part No.	Description	Pg. Ref. No. No. Qty.
5188	Bolt – Shoulder	"3" 18 2	93-1630	Spring	"3" 4 1
106067	Cup – Spindle	"2" 21 3	93-1633	Washer – Nylon	"3" 30 2
106068	Spacer – Blade	"2" 22 3	93-7282	Decal – Wheel Adjust.	"1" 26 2
106637	Set – Blade,16"	"2" 18 1	93-7316	Decal – Danger	"3" 1 1
109859	Bushing – Flange	"1" 19 2	93-7317	Decal – Danger	"1" 14 2
109966	Bearing – Ball	"2" 11 6	93-7325	Decal – Belt	"1" 17 1
110506	Wheel – Gage	"3" 17 2	94-1578	Deck & Decal ASM	"1" 13 1
110837	Bracket – Pivot	"3" 15 2	94-1836	Chute & Decal Assembly	"3" 2 1
114568	Housing – Spindle	"2" 13 3	283-2	Pin – Yoke	"3" 24 2
116080	Bushing – Pivot	"3" 29 1	302-5	Fitting – Grease	"2" 5 3
116085	Tube	"2" 14 3	302-26	Fitting – Grease	"1" 22 1
116172	Spring	"1" 20 1	321-4	Screw – HH	"3" 7 3
118960	Shaft – Roller	"3" 8 3	322-3	Screw – HH	"2" 23 2
933505	Hairpin – Cotter	"3" 20 2	323-6	Screw – HH	"1" 15 5
9080326	Screw – HH	"2" 12 12	323-9	Screw – HH	"1" 3 1
9114454	Screw – HH	"2" 29 4	323-11	Screw – HH	"1" 4 1
9152366	Nut – Hex	"3" 31 1	323-14	Screw – HH	"1" 16 1
9202394	Washer	"1" 9 2	325-13	Screw – HH	"3" 27 2
9202574	Washer – Flat	"2" 17 3	3218-3	Nut – Hex	"2" 28 4
9335064	Hairpin – Cotter	"3" 12 3	3218-5	Nut – Jam	"3" 25 2
9335074	Hairpin – Cotter	"1" 6 2	3220-6	Nut – Jam	"2" 6 3
29-4820	Roller	"3" 10 3	3220-7	Nut – Hex Jam	"2" 16 3
68-2350	Plate – Gage Wheel	"3" 21 2	3231-25	Screw – HH	"3" 19 4
68-2730	Wheel – Gage	"3" 22 2	3253-8	Washer – Lock	"2" 7 3
78-3140-03	Strap – Brace	"1" 25 1	3256-22	Washer – Flat	"2" 26 6
78-3150-03	Arm – Idler	"1" 21 1	3256-24	Washer – Flat	"1" 2 2
78-6710	Shaft – Spindle	"2" 20 3	3256-24	Washer – Flat	"3" 23 2
78-7340	Roller – Lift	"1" 8 2	3256-26	Washer – Flat	"3" 3 9
79-2760	Spacer	"1" 24 1	3256-28	Washer – Flat	"1" 7 2
79-4140-03	Support – Gage Wheel	"3" 6 1	3256-28	Washer – Flat	"2" 19 3
79-4410-01	Plate – Support	"1" 12 1	3272-10	Pin – Cotter	"3" 5 1
79-5280	Belt – V	"2" 8 1	3272-21	Pin – Cotter	"3" 13 6
79-5380	Link – Rear	"3" 11 1	3296-29	Nut – Hex	"2" 1 2
86-9210	Cover – Belt L.H.	"2" * 1	3296-39	Nut – Hex	"1" 1 8
86-9220	Cover – Belt R.H.	"2" 25 1	3296-39	Nut – Hex	"3" 14 6
86-9240	Bracket – Lower Lift	"3" 26 2	3296-42	Hex Nut	"3" 9 3
86-9250	Bracket – Upper Lift	"3" 28 2	32120-42	Ring – Retaining Internal	"2" 15 3
92-7082	Pulley – Idler	"1" 5 1	32144-4	Screw – Hex Washer Hd.	"2" 27 6
92-7083	Pulley – Spindle	"2" 9 3	32146-2	Nut – Hex	"3" 16 2
92-7084	Pulley – Idler	"1" 23 1	32151-29	Ring – Retaining	"1" 10 2
93-0542	Shield	"2" 30 1			
93-1610-01	Guard – Chute	"2" 24 1			