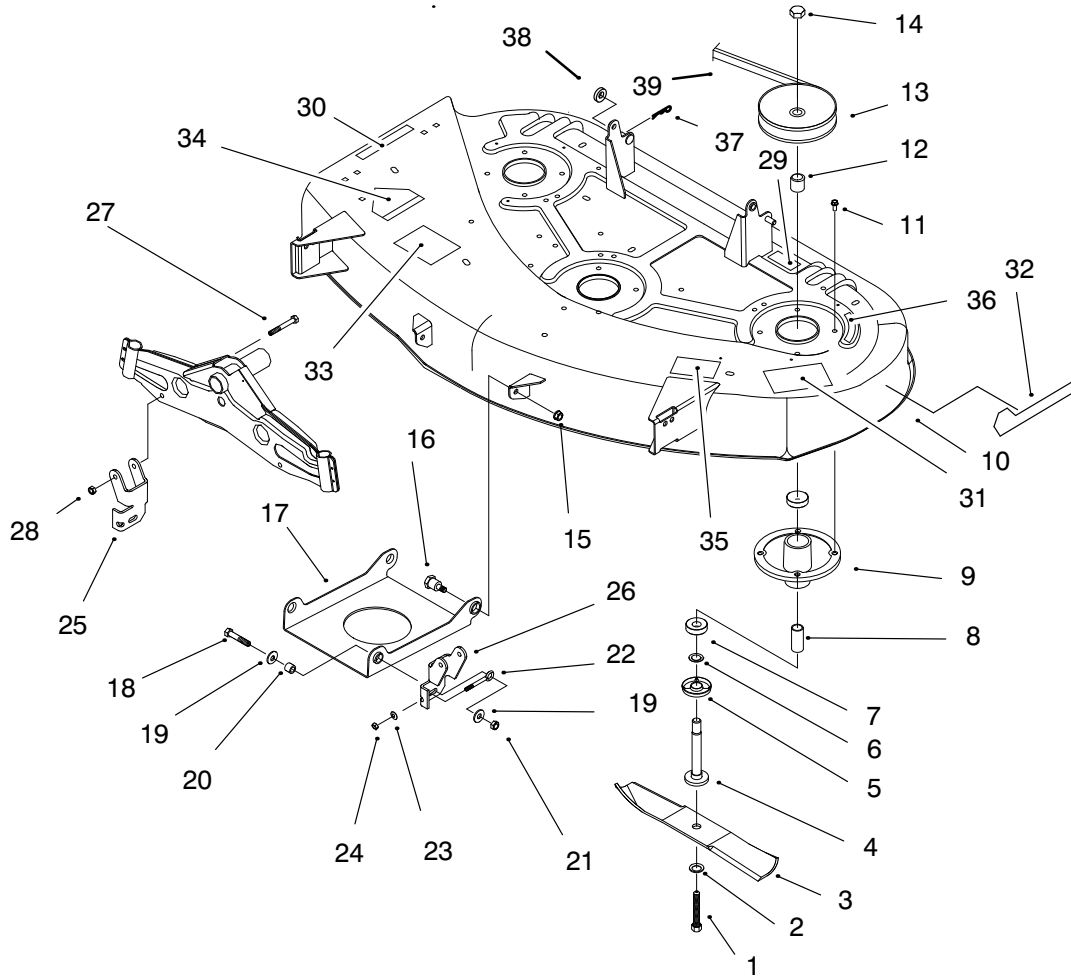




MODEL NO. 79105-590001 & UP MODEL NO. 79106-590001 & UP	PARTS CATALOG
44" RECYCLER® CUTTING UNIT 44" SIDE DISCHARGE CUTTING UNIT	

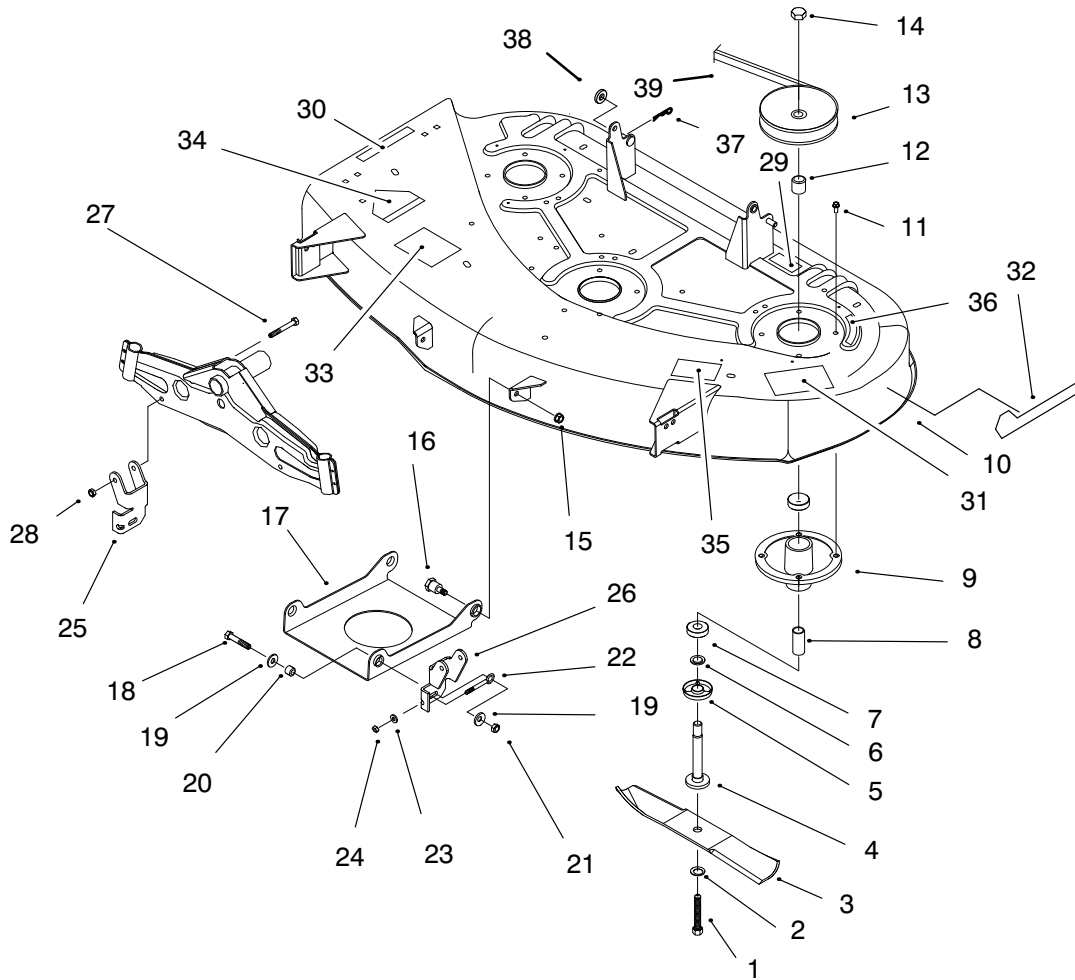


C-2297

DECK ASSEMBLY

Ref. No.	Part No.	Description	No. Used
1	26-0671	Bolt - Blade	3
2	3290-465	Washer - Belleville	3
3	92-7952	Blade - Recycler (Model No. 79105 Only)	3
*	54-0010	Blade (Model No. 79106 Only)	3
4	80-4342	Shaft - Spindle	3
5	80-4360	Shield - Bearing	3
6	80-4380	Spacer - Hardened	3
7	38-7820	Bearing - Ball	6
8	62-3661	Spacer - Bearing	3
9	88-4510	Spindle	3
10	93-3825	Deck Assembly (Model No. 79105 Only)	1
*	93-9831	Deck Assembly (Model No. 79106 Only)	1
11	32144-41	Screw - Hex Washer Hd. Thread Forming	12

Ref. No.	Part No.	Description	No. Used
12	88-5360	Spacer - Pulley	3
13	88-5330	Pulley - Deck	3
14	3219-6	Nut - Hex	3
15	3296-39	Nut - Lock	2
16	56-7530	Bolt - Shoulder	2
17	93-3881	Pan - Front Deck Suspension	1
18	323-9	Screw - Hex Hd. Cap	2
19	80-6990	Washer - Hardened	4
20	93-9847	Spacer	2
21	3296-39	Nut - Hex Lock	2
22	61-9980	Screw - Adjusting	2
23	3256-22	Washer - Flat	2
24	3296-42	Nut - Lock	2
25	93-9849	Bracket - Deck R.H.	1
26	93-9848	Bracket - Deck L.H.	1
27	322-12	Screw - Hex Hd. Cap	2
28	3296-29	Nut - Lock	2

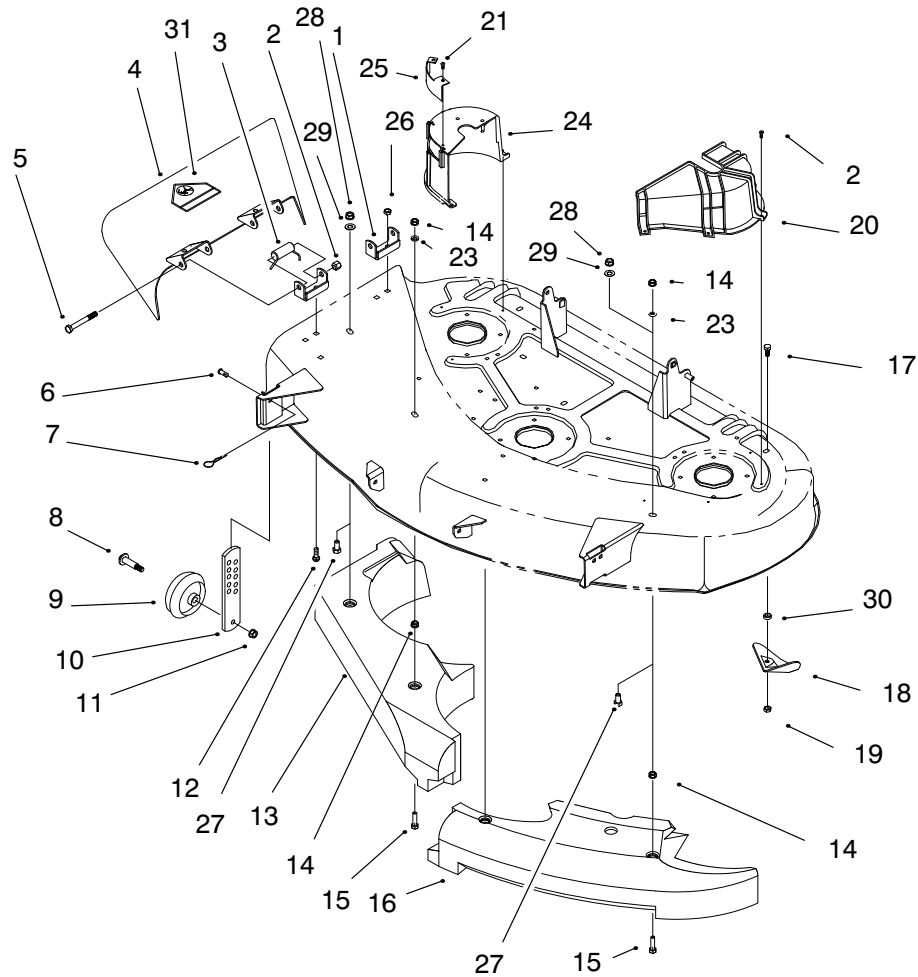


C-2297

DECK ASSEMBLY

Ref. No.	Part No.	Description	No. Used
29	55-4300	Decal - Warning (Model No. 79105 Only)	2
*	93-6674	Decal - Warning (Model No. 79106 Only)	2
30	68-3650	Decal - Danger Deflector (Model No. 79105 Only)	1
*	93-7009	Decal - Danger Deflector (Model No. 79106 Only)	1
31	66-1340	Decal - Discharge (Model No. 79105 Only)	1
*	93-7010	Decal - Danger (Model No. 79106 Only)	1
32	93-3776	Decal - Deck Recycler (Model No. 79105 Only)	1

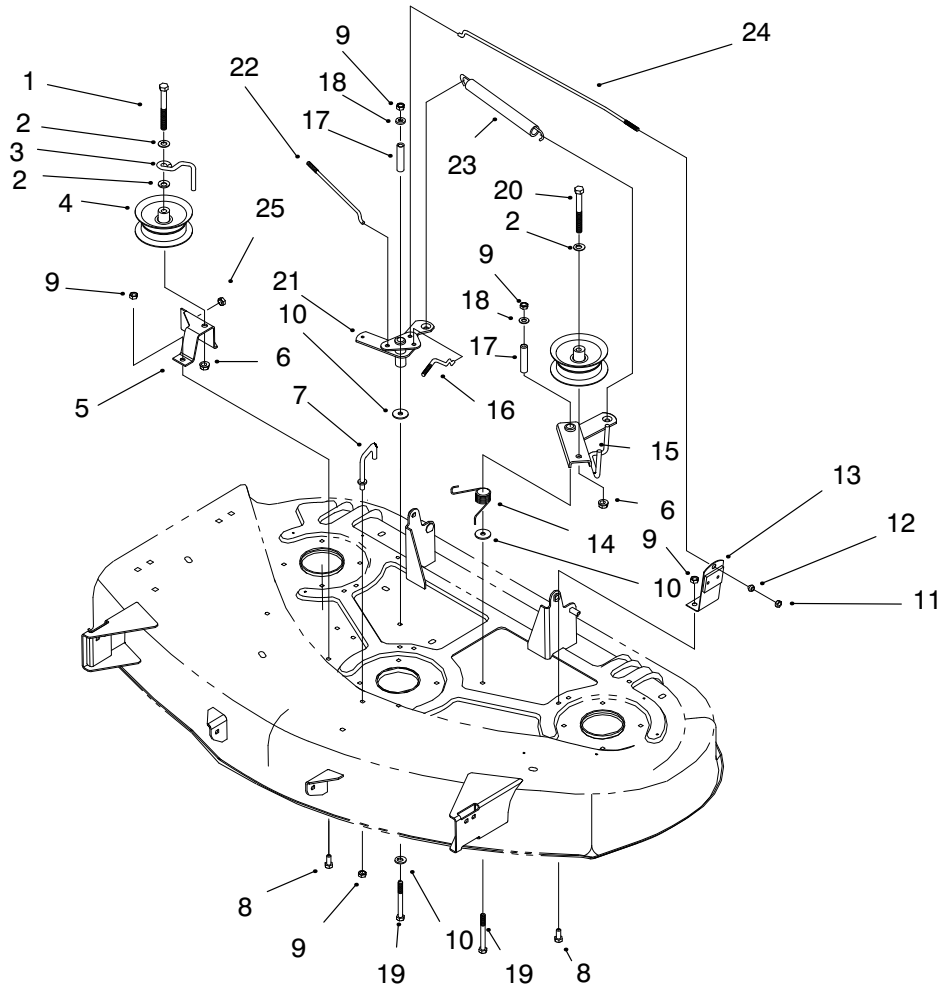
Ref. No.	Part No.	Description	No. Used
33	93-3777	Decal - Belt	1
34	93-1122	Decal - Danger (Model No. 79105 Only)	1
*	93-7010	Decal - Danger (Model No. 79106 Only)	1
35	93-7282	Decal - Wheel Adjustment	1
36	68-3660	Decal - Shield Danger (Model No. 79105 Only)	2
*	93-6677	Decal - Shield Danger (Model No. 79106 Only)	2
37	3290-307	Pin - Hair Cotter	4
38	80-6990	Washer - Hardened	4
39	93-3884	V-Belt	1



C-2298A

BELT COVER & DEFLECTOR ASSEMBLY

Ref. No.	Part No.	Description	No. Used	Ref. No.	Part No.	Description	No. Used
1	29-5590	Bracket - Pivot	2	17	3230-1	Screw - Carriage (Model No. 79105 Only)	4
2	3296-5	Nut - Lock	2	18	84-5760	Plate - Kicker (Model No. 79105 Only)	4
3	40-6230	Spring - Torsion	2	19	3296-29	Nut - Lock (Model No. 79105 Only)	4
4	57-6980	Deflector Assembly (Model No. 79105 Only)	1	20	93-3866	Cover - Belt L.H.	1
*	93-9745	Deflector Assembly (Model No. 79106 Only)	1	21	32104-76	Screw - Self Tapping	9
5	3211-15	Screw - Hex Hd. Cap	2	23	3290-456	Washer - Lock (Model No. 79105 Only)	4
6	283-2	Pin - Clevis	2	24	93-3865	Cover - Belt R.H.	1
7	3290-307	Pin - Cotter	2	25	93-3876	Insert - Belt Cover	1
8	56-6591	Bolt - Wheel	2	26	3296-29	Nut - Lock	4
9	701756	Wheel - Deck	2	27	3231-21	Bolt - Carriage	2
10	93-8010	Plate - Gage Wheel	2	28	3296-39	Nut - Lock	2
11	3296-59	Nut - Lock	2	29	3256-24	Washer - Flat	2
12	3230-23	Screw - Carriage	4	30	59-4310	Spacer (Model No. 79105 Only)	4
13	93-7651	Baffle - R.H. (Model No. 79105 Only)	1	31	43-8480	Decal - Danger (Model No. 79105 Only)	1
14	32149-1	Nut - Keps (Model No. 79105 Only)	8	*	93-7010	Decal - Danger (Model No. 79106 Only)	1
15	322-6	Screw - Hex Hd. Cap (Model No. 79105 Only)	4				
16	93-7652	Baffle - L.H. (Model No. 79105 Only)	1				



C-2299

IDLER & BRAKE ASSEMBLY

Ref. No.	Part No.	Description	No. Used
1	323-12	Screw - Hex Hd. Cap	1
2	3256-24	Washer - Flat	3
3	88-5070	Guide - Idler Belt	1
4	88-5630	Pulley - Idler Flat	2
5	93-3860	Bracket - Idler	1
6	3296-39	Nut - Lock	2
7	88-5960	Guide - Trans. Belt L.H.	1
8	322-3	Screw - Hex Hd. Cap	9
9	3296-29	Nut - Lock	12
10	5-4460	Washer - Fender	3
11	3296-42	Nut - Lock	3
12	67-0710	Ball - Swivel	3
13	93-3841	Brake Assembly	3

Ref. No.	Part No.	Description	No. Used
14	93-9342	Spring - Torsion	1
15	93-3848	Bellcrank	1
16	93-3852	Rod - Brake Center	1
17	93-9341	Spacer - Pivot	2
18	3256-23	Washer - Flat	2
19	322-14	Screw - Hex Hd. Cap	2
20	323-10	Screw - Hex Hd. Cap	1
21	93-3845	Bellcrank	1
22	93-3853	Rod - Brake R.H.	1
23	93-3850	Spring - Deck Engage	1
24	93-3851	Rod - Brake L.H.	1
25	3220-2	Nut - Hex Jam	1

TORO PART NUMBER INDEX

3317-581A

Part No.	Description	Pg. No.	Ref. No.	Qty.	Part No.	Description	Pg. No.	Ref. No.	Qty.
701756	Wheel – Deck	3	9	2	93-7010	Decal – Danger	2	*	1
5-4460	Washer – Fender	4	10	3	93-7010	Decal – Danger	2	*	1
26-0671	Bolt – Blade	1	1	3	93-7010	Decal – Danger	3	*	1
29-5590	Bracket – Pivot	3	1	2	93-7282	Decal – Wheel Adjustment	2	35	1
38-7820	Bearing – Ball	1	7	6	93-7651	Baffle – R.H.	3	13	1
40-6230	Spring – Torsion	3	3	2	93-7652	Baffle – L.H.	3	16	1
43-8480	Decal – Danger	3	31	1	93-8010	Plate – Gage Wheel	3	10	2
54-0010	Blade	1	*	3	93-9341	Spacer – Pivot	4	17	2
55-4300	Decal – Warning	2	29	2	93-9342	Spring – Torsion	4	14	1
56-6591	Bolt – Wheel	3	8	2	93-9745	Deflector Assembly	3	*	1
56-7530	Bolt – Shoulder	1	16	2	93-9831	Deck Assembly	1	*	1
57-6980	Deflector Assembly	3	4	1	93-9847	Spacer	1	20	2
59-4310	Spacer	3	30	4	93-9848	Bracket – Deck L.H.	1	26	1
61-9980	Screw – Adjusting	1	22	2	93-9849	Bracket – Deck R.H.	1	25	1
62-3661	Spacer – Bearing	1	8	3	283-2	Pin – Clevis	3	6	2
66-1340	Decal – Discharge	2	31	1	322-3	Screw – Hex Hd. Cap	4	8	9
67-0710	Ball – Swivel	4	12	3	322-6	Screw – Hex Hd. Cap	3	15	4
68-3650	Decal – Danger Deflector	2	30	1	322-12	Screw – Hex Hd. Cap	1	27	2
68-3660	Decal – Shield Danger	2	36	2	322-14	Screw – Hex Hd. Cap	4	19	2
80-4342	Shaft – Spindle	1	4	3	323-9	Screw – Hex Hd. Cap	1	18	2
80-4360	Shield – Bearing	1	5	3	323-10	Screw – Hex Hd. Cap	4	20	1
80-4380	Spacer – Hardened	1	6	3	323-12	Screw – Hex Hd. Cap	4	1	1
80-6990	Washer – Hardened	1	19	4	3211-15	Screw – Hex Hd. Cap	3	5	2
80-6990	Washer – Hardened	2	38	4	3219-6	Nut – Hex	1	14	3
84-5760	Plate – Kicker	3	18	4	3220-20	Nut – Hex Jam	4	25	1
88-4510	Spindle	1	9	3	3230-1	Screw – Carriage	3	17	4
88-5070	Guide – Idler Belt	4	3	1	3230-23	Screw – Carriage	3	12	4
88-5330	Pulley – Deck	1	13	3	3231-21	Bolt – Carriage	3	27	2
88-5360	Spacer – Pulley	1	12	3	3256-22	Washer – Flat	1	23	2
88-5630	Pulley – Idler Flat	4	4	2	3256-23	Washer – Flat	4	18	2
88-5960	Guide – Trans. Belt L.H.	4	7	1	3256-24	Washer – Flat	4	2	3
92-7952	Blade – Recycler	1	3	3	3256-24	Washer – Flat	3	29	2
93-1122	Decal – Danger	2	34	1	3290-307	Pin – Cotter	3	7	2
93-3776	Decal – Deck Recycler	2	32	1	3290-307	Pin – Hair Cotter	2	37	4
93-3777	Decal – Belt	2	33	1	3290-456	Washer – Lock	3	23	4
93-3825	Deck Assembly	1	10	1	3290-465	Washer – Belleville	1	2	3
93-3841	Brake Assembly	4	13	3	3296-5	Nut – Lock	3	2	2
93-3845	Bellcrank	4	21	1	3296-29	Nut – Lock	4	9	12
93-3848	Bellcrank	4	15	1	3296-29	Nut – Lock	3	19	4
93-3850	Spring – Deck Engage	4	23	1	3296-29	Nut – Lock	3	26	4
93-3851	Rod – Brake L.H.	4	24	1	3296-29	Nut – Lock	1	28	2
93-3852	Rod – Brake Center	4	16	1	3296-39	Nut – Hex Lock	1	21	2
93-3853	Rod – Brake R.H.	4	22	1	3296-39	Nut – Lock	4	6	2
93-3860	Bracket – Idler	4	5	1	3296-39	Nut – Lock	1	15	2
93-3865	Cover – Belt R.H.	3	24	1	3296-39	Nut – Lock	3	28	2
93-3866	Cover – Belt L.H.	3	20	1	3296-42	Nut – Lock	4	11	3
93-3876	Insert – Belt Cover	3	25	1	3296-42	Nut – Lock	1	24	2
93-3881	Pan – Front Deck	1	17	1	3296-59	Nut – Lock	3	11	2
93-3884	V-Belt	2	39	1	32104-76	Screw – Self Tapping	3	21	9
93-6674	Decal – Warning	2	*	2	32144-41	Screw – Hex Washer Hd.	1	11	12
93-6677	Decal – Shield Danger	2	*	2	32149-1	Nut – Keps	3	14	8
93-7009	Decal – Danger Deflector	2	*	1					

*Not Illustrated

