



Wheel Horse<sup>®</sup>  
**44" Cutting Unit**

Model No. 78444 – 9900001 & Up

---

**Parts Catalog**

## ORDERING REPLACEMENT PARTS

To order replacement parts, please supply: the part number, the quantity, and the description of each part desired.

## Contents

Description	Page	Description	Page
Deck Assembly .....	1	Baffle Assembly .....	6
Deck Assembly (Continued) .....	2	Decal Assembly .....	7
Spindle and Blade Assembly .....	3		
Deck Suspension Assembly .....	4	<b>Note:</b>	
Pulley Box Assembly .....	5		

## Part Description Abbreviations

Part descriptions in this catalog may include the following abbreviations.

Abbreviation	Meaning	Abbreviation	Meaning
AR .....	as required	HWHTF .....	hex washer head
ASM .....	assembly		thread forming
CARR .....	carriage	INC .....	incorporated
DEG .....	degrees	LH .....	left hand
FH .....	flat head	PH .....	pan head
GA .....	gauge	PPH .....	Phillips pan head
HF .....	hex flange	PTO .....	power take off
HFW .....	hex flange washer	RH .....	right hand
HH .....	hex head	SFH .....	slotted fillister head
HHF .....	hex head flange	SH .....	square head
HHST .....	hex head self tapping	SHWH .....	slotted hex washer head
HJ .....	hex jam	SPH .....	slotted pan head
HOC .....	height-of-cut	STD .....	standard
HS .....	hex socket	TAP .....	self tapping
HSBH .....	hex socket button head	TH .....	truss head
HSFH .....	hex socket flat head	TTH .....	Torx truss head
HSH .....	hex socket head	WH .....	wing head
HWH .....	hex washer head		

## Important Format Explanations

This catalog uses special formats to convey information in illustrations and parts lists. Specifically, one format is used in conjunction with service assemblies and another with quantities associated with reference numbers.

### Service Assemblies

Parts within service assemblies have reference numbers in the form X:Y. X is the reference number of the service assembly and Y is a sequential number unique to each part within the service assembly.

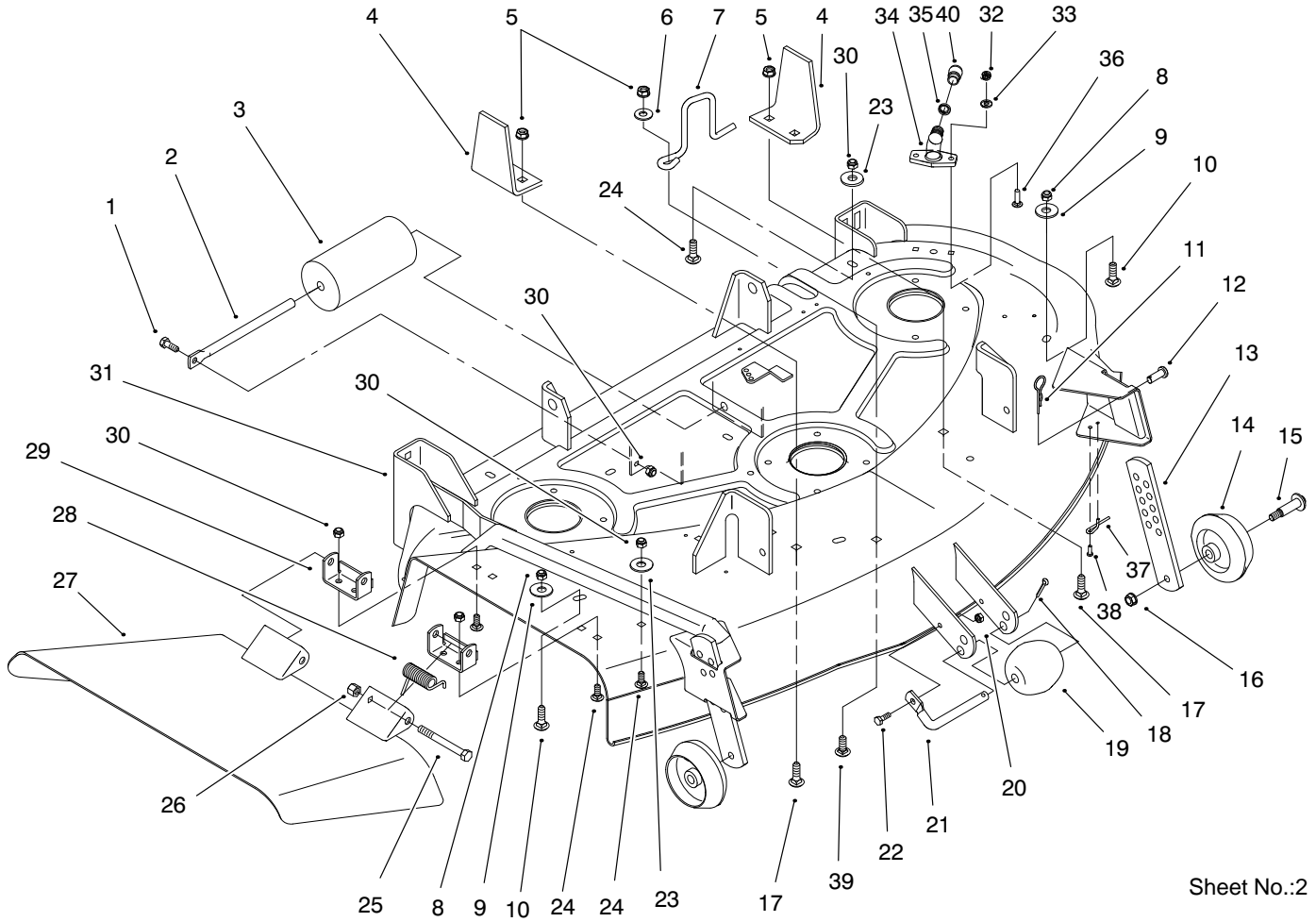
For example, a wheel assembly might be identified by reference number 6, the tire by 6:1, the valve by 6:2, and the wheel by 6:3. When you order the assembly identified by reference number 6, you receive all parts identified by reference numbers 6:1, 6:2, and 6:3. However, you may also order any part individually.

Reference numbers of this type appear in part lists and as callouts in illustrations.

## Reference Numbers with Quantities

Illustrations may have a quantity in parentheses next to a reference number, in the form  $X (Y)$ .  $X$  is the reference number.  $Y$  in parentheses is the quantity of the part identified by the reference number.

For example, the illustration callout 4 (2) indicates that two parts are used in that instance.

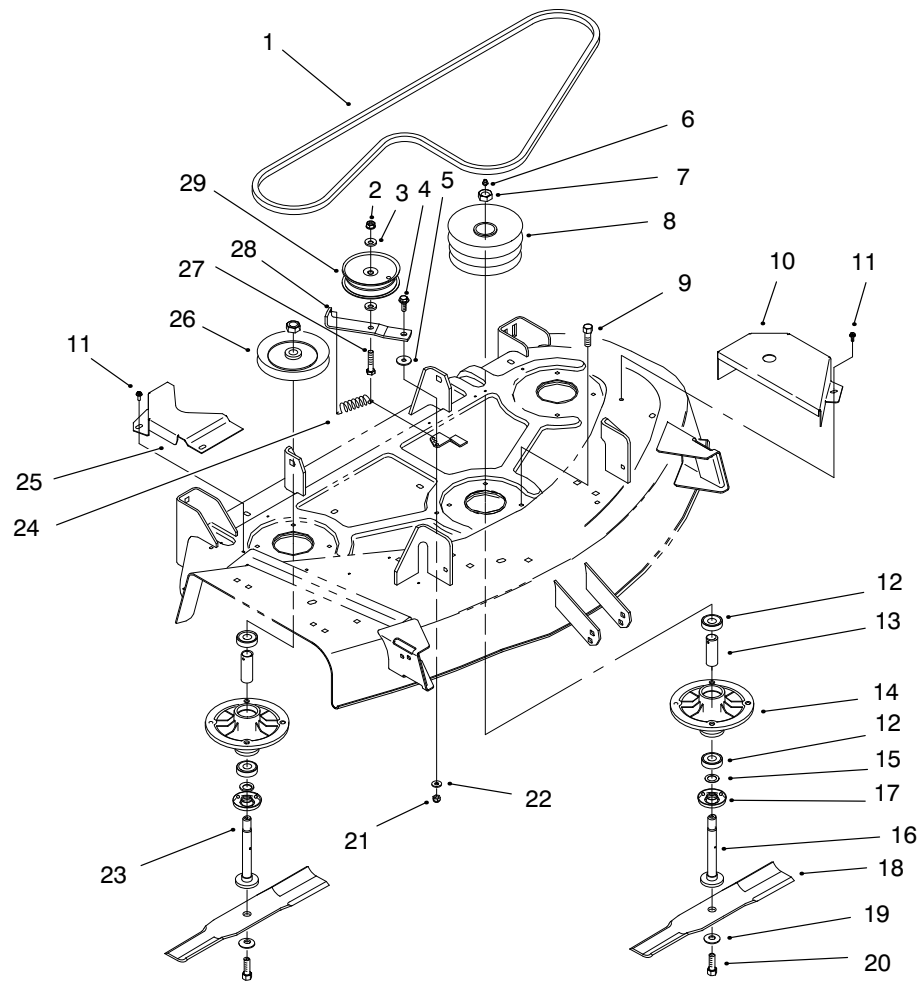


Sheet No.:2

## Reinforcement Plate Assembly

Ref. No.	Part No.	Qty.	Description
1	322-4	1	Screw-HH
2	62-4480	1	Rod-Roller
3	36-1740	1	Roller-Deck
4	94-7952-01	2	Bracket-Guide
5	3296-39	5	Nut-Lock Ni
6	3256-41	1	Washer-Flat
7	95-3953	1	Guide - Belt
8	3296-39	2	Nut-Lock Ni
9	3256-5	2	Washer-Flat
10	3231-21	2	Screw-CARR
11	3290-467	2	Hairpin Cotter
12	283-2	2	Pin-Clevis
13	93-8010	2	Plate-Gage Wheel
14	701756	2	Wheel-Gage
15	56-6591	2	Wheel Bolt
16	3296-59	2	Nut-Lock Ni
17	3231-25	4	Screw-CARR
18	3272-21	1	Pin-Cotter
19	29-4820	1	Roller
20	3296-42	1	Nut-Lock Ni
21	118960-03	1	Shaft-Roller
22	321-4	1	Screw-HH
23	3256-2	2	Washer-Flat
24	3230-23	6	Screw-CARR
25	3211-15	2	Screw-HH
26	3296-5	2	Nut-Lock Ni

Ref. No.	Part No.	Qty.	Description
27	98-5049	1	Deflector ASM w/Decals
28	40-6230	2	Spring
29	29-5590-03	2	Bracket-Pivot
30	3296-29	7	Nut-Lock Ni
31	98-5087	1	Deck ASM w/Decals
32	3296-16	2	Nut-Lock Ni
33	3256-1	2	Washer-Flat
34	95-2747	1	Fitting - Washout
35	46-6290	1	O Ring
36	3229-1	2	Screw-CARR
37	94-1981	2	Spring - Gage Wheel
38	32104-76	2	Screw-Acorn Slot
39	3231-22	1	Screw-CARR
40	95-3270	1	Connector-Hose

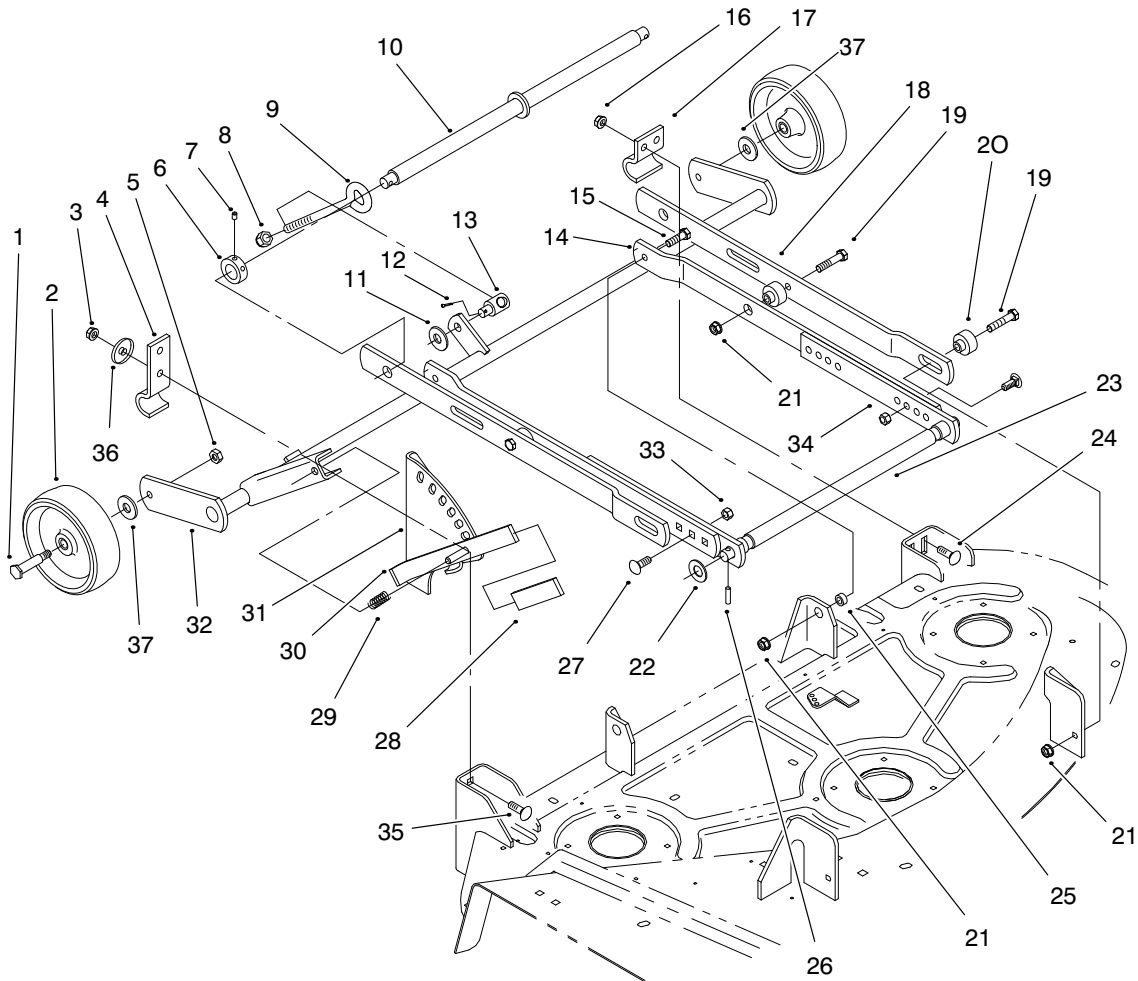


Sheet No.:3

## Spindle And Blade Assembly

Ref. No.	Part No.	Qty.	Description
1	95-4228	1	Belt-V
2	3296-39	1	Nut-Lock Ni
3	3256-3	2	Washer-Flat
4	27-0410	1	Screw-Shoulder
5	5-4460	1	Washer-Pivot
6	302-5	3	Fitting-Lube
7	3219-6	3	Nut-Hex
8	94-7552	1	Pulley-Double
9	32144-41	12	Screw-Taptite
10	95-4251-01	1	Cover-Cover
11	46-8560	4	Screw-Flange
12	109966	6	Bearing-Ball
13	94-7959	3	Spacer - Bearing
14	88-4510	3	Splindle-Diecast Aluminum
15	80-4380	3	Spacer
16	94-7547	1	Shaft-Center Spindle
17	80-4360	3	Shield-Bearing
18	54-0010	3	Blade 15.5"
19	3290-465	3	Washer-Belleville
20	26-0671	3	Screw-Blade
21	3296-29	1	Nut-Lock Ni
22	3256-2	1	Washer-Flat
23	94-7546	2	Shaft-Spindle
24	57-6540	1	Spring-Extension
25	95-4252-01	1	Cover-Belt

Ref. No.	Part No.	Qty.	Description
26	94-7550	2	Pulley
27	323-9	1	Screw-HH
28	57-6520-03	1	Arm-Deck Drive Idler
29	36-3220	1	Pulley-Idler



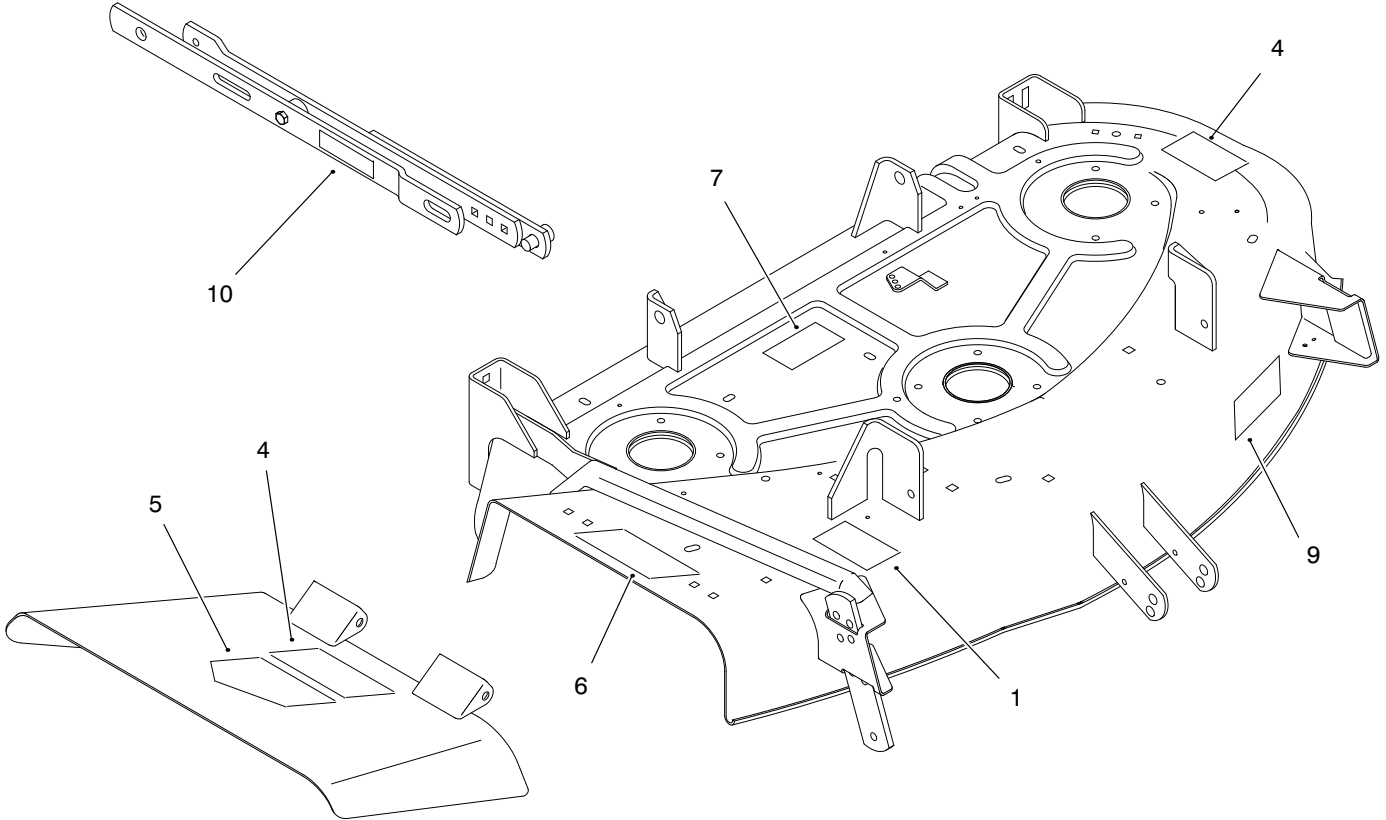
Sheet No.:4

## Deck Suspension Assembly

Ref. No.	Part No.	Qty.	Description
1	92-1057	2	Bolt-Shoulder
2	109375	2	Wheel ASM
3	3296-39	2	Nut-Lock Ni
4	110837-03	1	Pivot-Bracket
5	32146-2	2	Nut-Lock Ni
6	94-7953	1	Collar
7	3245-2	2	Screw-Set, HSH
8	3296-23	1	Nut-Lock Ni
9	94-7954	1	Rod-Level Adjustment
10	94-7943-01	1	Shaft-Leveler
11	3256-26	1	Washer-Flat
12	3272-12	1	Pin-Cotter
13	94-7802	1	Trunnion
14	94-7801-01	2	Draftbar
15	323-7	2	Screw-HH
16	32128-40	2	Nut-Flange
17	94-7543-03	1	Clamp
18	98-5042	1	LH Leveler ASM
18	98-5044	1	RH Leveler ASM
19	323-9	4	Screw-HH
20	115706	4	Spacer
21	102809	6	Locknut-Flange
22	3256-69	4	Washer-Flat
23	94-2130-01	1	Shaft-Draftbar
24	3231-2	2	Screw-CARR
25	114127	2	Spacer

Ref. No.	Part No.	Qty.	Description
26	933216	4	Pin-Roll, Spirol
27	3231-38	4	Screw-CARR
28	102597	1	Grip
29	101853	1	Spring-Compression
30	94-7965-01	1	Lever-HOC
31	94-7544-01	1	Quad-Deck
32	94-7554-01	1	Support-Wheel
33	32152-2	4	Nut-Conelock
34	94-7804-01	2	Draftbar-Adj
35	3231-4	2	Screw-CARR
36	98-3479	1	Washer-Support, Pivot Bracket
37	9202424	2	Spacer





Sheet No.:7

### Decal Locations

Ref. No.	Part No.	Qty.	Description
1	98-3481	1	Decal – PTO Belt Routing
4	93-7317	2	Decal – Danger
5	93-7316	1	Decal – Danger
6	93-7009	1	Decal-Deflector Danger
7	98-3489	1	Decal – Belt Routing
9	93-7282	1	Decal-Wheel Adjustment
10	93-9367	2	Decal – Warning

Ref. No.	Part No.	Qty.	Description



# Toro Part Number Index

Part No.	Page No.	Ref. No.	Qty.	Description
101851	4	12	1	Knob-Adj
101853	3	29	1	Spring-Compression
102597	3	28	1	Grip
102809	3	21	6	Locknut-Flange
108571	4	10	1	Washer-Spring
109375	3	2	2	Wheel ASM
109966	2	12	6	Bearing-Ball
114127	3	25	2	Spacer
115706	3	20	4	Spacer
701756	1	14	2	Wheel-Gage
933156	4	11	1	Pin-Spirol, Roll
933216	3	26	4	Pin-Roll, Spirol
9202424	3	37	2	Spacer
5-4460	2	5	1	Washer-Pivot
19-1471	4	17	1	Screw-Shoulder
26-0671	2	20	3	Screw-Blade
27-0410	2	4	1	Screw-Shoulder
29-4820	1	19	1	Roller
29-5590-03	1	29	2	Bracket-Pivot
36-1740	1	3	1	Roller-Deck
36-3220	2	29	1	Pulley-Idler
40-6230	1	28	2	Spring
46-6290	1	35	1	O Ring
46-8560	2	11	4	Screw-Flange
54-0010	2	18	3	Blade 15.5"
56-6591	1	15	2	Wheel Bolt
57-6520-03	2	28	1	Arm-Deck Drive Idler
57-6540	2	24	1	Spring-Extension
62-4480	1	2	1	Rod-Roller
80-4360	2	17	3	Shield-Bearing
80-4380	2	15	3	Spacer
88-4510	2	14	3	Splindle-Diecast Aluminum
92-1057	3	1	2	Bolt-Shoulder
93-7009	5	6	1	Decal-Deflector Danger
93-7282	5	9	1	Decal-Wheel Adjustment
93-7316	5	5	1	Decal - Danger
93-7317	5	4	2	Decal - Danger
93-8010	1	13	2	Plate-Gage Wheel
93-9367	5	10	2	Decal - Warning
94-1981	1	37	2	Spring - Gage Wheel
94-2130-01	3	23	1	Shaft-Draftbar
94-2284-01	4	3	1	Lever-Idler
94-2287-03	4	8	1	Box-Pulley
94-2288	4	18	1	Rod - Tension
94-2423	4	5	1	Rod-Pivot
94-2447	4	2	2	Pulley - Idler
94-2449	4	7	1	Ferrule - Adjuster
94-2460	4	16	1	Spring - Extension
94-2462-01	4	20	1	Arm-Idler
94-7543-03	3	17	1	Clamp
94-7544-01	3	31	1	Quad-Deck
94-7546	2	23	2	Shaft-Spindle
94-7547	2	16	1	Shaft-Center Spindle
94-7550	2	26	2	Pulley
94-7552	2	8	1	Pulley-Double
94-7554-01	3	32	1	Support-Wheel
94-7764	4	13	1	Tensioner-Idler
94-7801-01	3	14	2	Draftbar
94-7802	3	13	1	Trunnion
94-7804-01	3	34	2	Draftbar-Adj
94-7943-01	3	10	1	Shaft-Leveler
94-7952-01	1	4	2	Bracket-Guide

\*Not Illustrated

# Toro Part Number Index (cont.)

Part No.	Page No.	Ref. No.	Qty.	Description
94-7953	3	6	1	Collar
94-7954	3	9	1	Rod-Level Adjustment
94-7959	2	13	3	Spacer - Bearing
94-7965-01	3	30	1	Lever-HOC
95-2747	1	34	1	Fitting - Washout
95-3270	1	40	1	Connector-Hose
95-3953	1	7	1	Guide - Belt
95-4094	4	21	1	Belt-V
95-4228	2	1	1	Belt-V
95-4251-01	2	10	1	Cover-Cover
95-4252-01	2	25	1	Cover-Belt
98-3479	3	36	1	Washer-Support, Pivot Bracket
98-3481	5	1	1	Decal - PTO Belt Routing
98-3489	5	7	1	Decal - Belt Routing
98-5042	3	18	1	LH Leveler ASM
98-5044	3	18	1	RH Leveler ASM
98-5049	1	27	1	Deflector ASM w/Decals
98-5087	1	31	1	Deck ASM w/Decals
110837-03	3	4	1	Pivot-Bracket
118960-03	1	21	1	Shaft-Roller
283-2	1	12	2	Pin-Clevis
302-5	2	6	3	Fitting-Lube
302-5	4	19	2	Fitting-Lube
321-4	1	22	1	Screw-HH
322-4	1	1	1	Screw-HH
323-7	3	15	2	Screw-HH
323-9	2	27	1	Screw-HH
323-9	3	19	4	Screw-HH
323-10	4	4	2	Screw-HH
3211-15	1	25	2	Screw-HH
3219-6	2	7	3	Nut-Hex
3229-1	1	36	2	Screw-CARR
3230-23	1	24	6	Screw-CARR
3231-2	3	24	2	Screw-CARR
3231-4	3	35	2	Screw-CARR
3231-21	1	10	2	Screw-CARR
3231-22	1	39	1	Screw-CARR
3231-25	1	17	4	Screw-CARR
3231-38	3	27	4	Screw-CARR
3245-2	3	7	2	Screw-Set, HSH
3256-1	1	33	2	Washer-Flat
3256-2	1	23	2	Washer-Flat
3256-2	2	22	1	Washer-Flat
3256-3	2	3	2	Washer-Flat
3256-5	1	9	2	Washer-Flat
3256-24	4	9	1	Washer-Flat
3256-26	3	11	1	Washer-Flat
3256-41	1	6	1	Washer-Flat
3256-69	3	22	4	Washer-Flat
3272-12	3	12	1	Pin-Cotter
3272-21	1	18	1	Pin-Cotter
3290-465	2	19	3	Washer-Belleville
3290-467	1	11	2	Hairpin Cotter
3296-5	1	26	2	Nut-Lock Ni
3296-16	1	32	2	Nut-Lock Ni
3296-23	3	8	1	Nut-Lock Ni
3296-29	1	30	7	Nut-Lock Ni
3296-29	2	21	1	Nut-Lock Ni
3296-29	4	14	1	Nut-Lock Ni
3296-39	1	5	5	Nut-Lock Ni
3296-39	1	8	2	Nut-Lock Ni
3296-39	2	2	1	Nut-Lock Ni

\*Not Illustrated

# Toro Part Number Index (cont.)

<b>Part No.</b>	<b>Page No.</b>	<b>Ref. No.</b>	<b>Qty.</b>	<b>Description</b>
3296-39	3	3	2	Nut-Lock Ni
3296-39	4	1	2	Nut-Lock Ni
3296-42	1	20	1	Nut-Lock Ni
3296-59	1	16	2	Nut-Lock Ni
32104-76	1	38	2	Screw-Acorn Slot
32128-40	3	16	2	Nut-Flange
32144-41	2	9	12	Screw-Taptite
32144-70	4	6	1	Screw-HH
32146-2	3	5	2	Nut-Lock Ni
32152-2	3	33	4	Nut-Conelock
32152-9	4	15	1	Locknut

\*Not Illustrated

