



Wheel Horse[®]
44" Cutting Unit

Model No. 78357 – 8900001 & Up

Model No. 78444 – 8900001 & Up

Model No. 78358 – 8900001 & Up

Parts Catalog

ORDERING REPLACEMENT PARTS

To order replacement parts, please supply: the part number, the quantity, and the description of each part desired.

Contents

Description	Page	Description	Page
Deck Assembly	1	Baffle Assembly	6
Deck Assembly (Continued)	2	Decal Assembly	7
Spindle and Blade Assembly	3		
Deck Suspension Assembly	4	Note:	
Pulley Box Assembly	5		

Accessories

Description	Model / Parts No.	Description	Model / Parts No.
..			

Part Description Abbreviations

Part descriptions in this catalog may include the following abbreviations.

Abbreviation	Meaning	Abbreviation	Meaning
AR	as required	HWHTF	hex washer head thread forming
ASM	assembly	INC	incorporated
CARR	carriage	LH	left hand
DEG	degrees	PH	pan head
FH	flat head	PPH	Phillips pan head
GA	gauge	PTO	power take off
HF	hex flange	RH	right hand
HFW	hex flange washer	SFH	slotted fillister head
HH	hex head	SH	square head
HHF	hex head flange	SHWH	slotted hex washer head
HHST	hex head self tapping	SPH	slotted pan head
HJ	hex jam	STD	standard
HOC	height-of-cut	TAP	self tapping
HS	hex socket	TH	truss head
HSBH	hex socket button head	TTH	Torx truss head
HSFH	hex socket flat head	WH	wing head
HSH	hex socket head		
HWH	hex washer head		

Important Format Explanations

This catalog uses special formats to convey information in illustrations and parts lists. Specifically, one format is used in conjunction with service assemblies and another with quantities associated with reference numbers.

Service Assemblies

Parts within service assemblies have reference numbers in the form $X:Y$. X is the reference number of the service assembly and Y is a sequential number unique to each part within the service assembly.

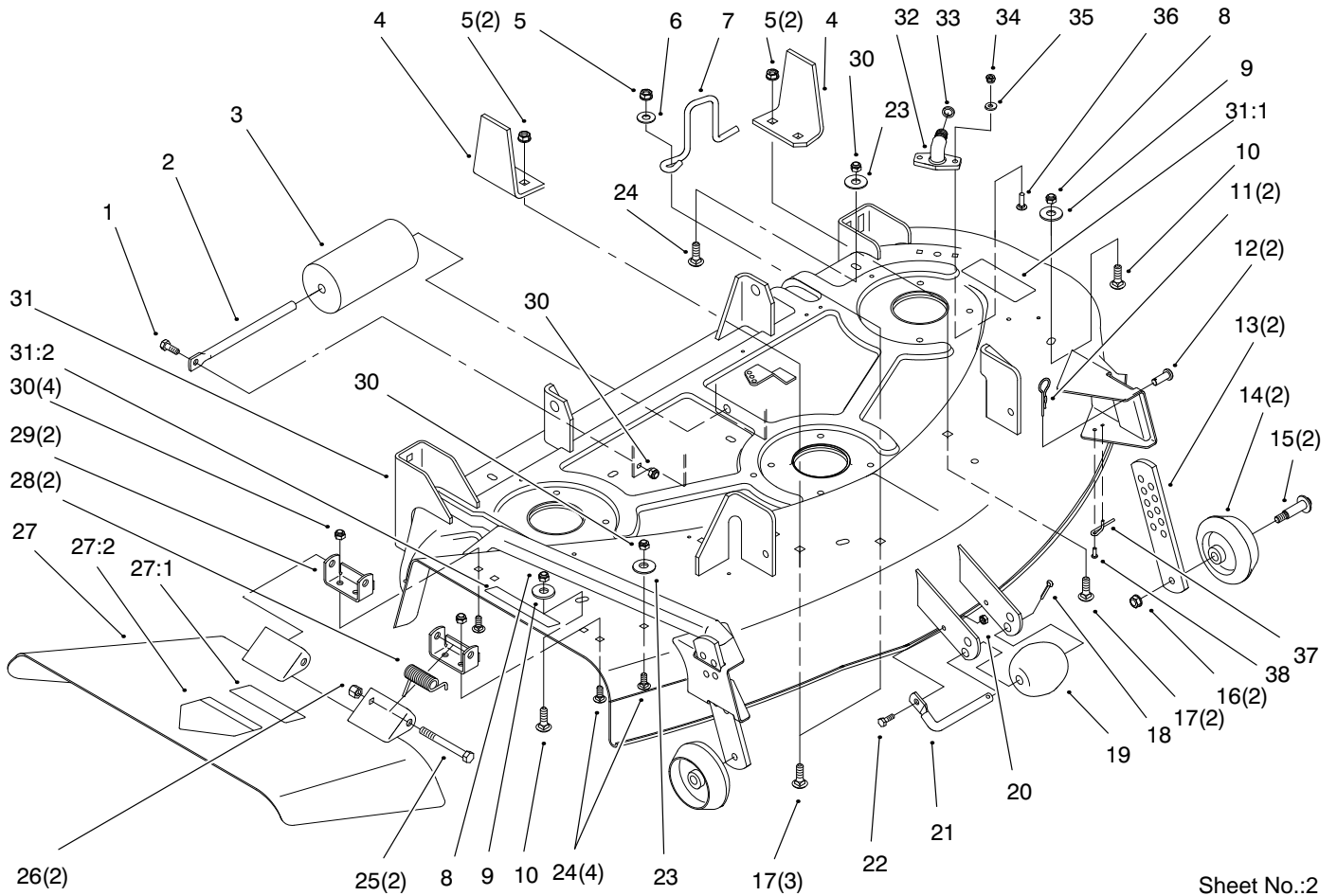
For example, a wheel assembly might be identified by reference number 6, the tire by 6:1, the valve by 6:2, and the wheel by 6:3. When you order the assembly identified by reference number 6, you receive all parts identified by reference numbers 6:1, 6:2, and 6:3. However, you may also order any part individually.

Reference numbers of this type appear in part lists and as callouts in illustrations.

Reference Numbers with Quantities

Illustrations may have a quantity in parentheses next to a reference number, in the form $X (Y)$. X is the reference number. Y in parentheses is the quantity of the part identified by the reference number.

For example, the illustration callout 4 (2) indicates that two parts are used in that instance.

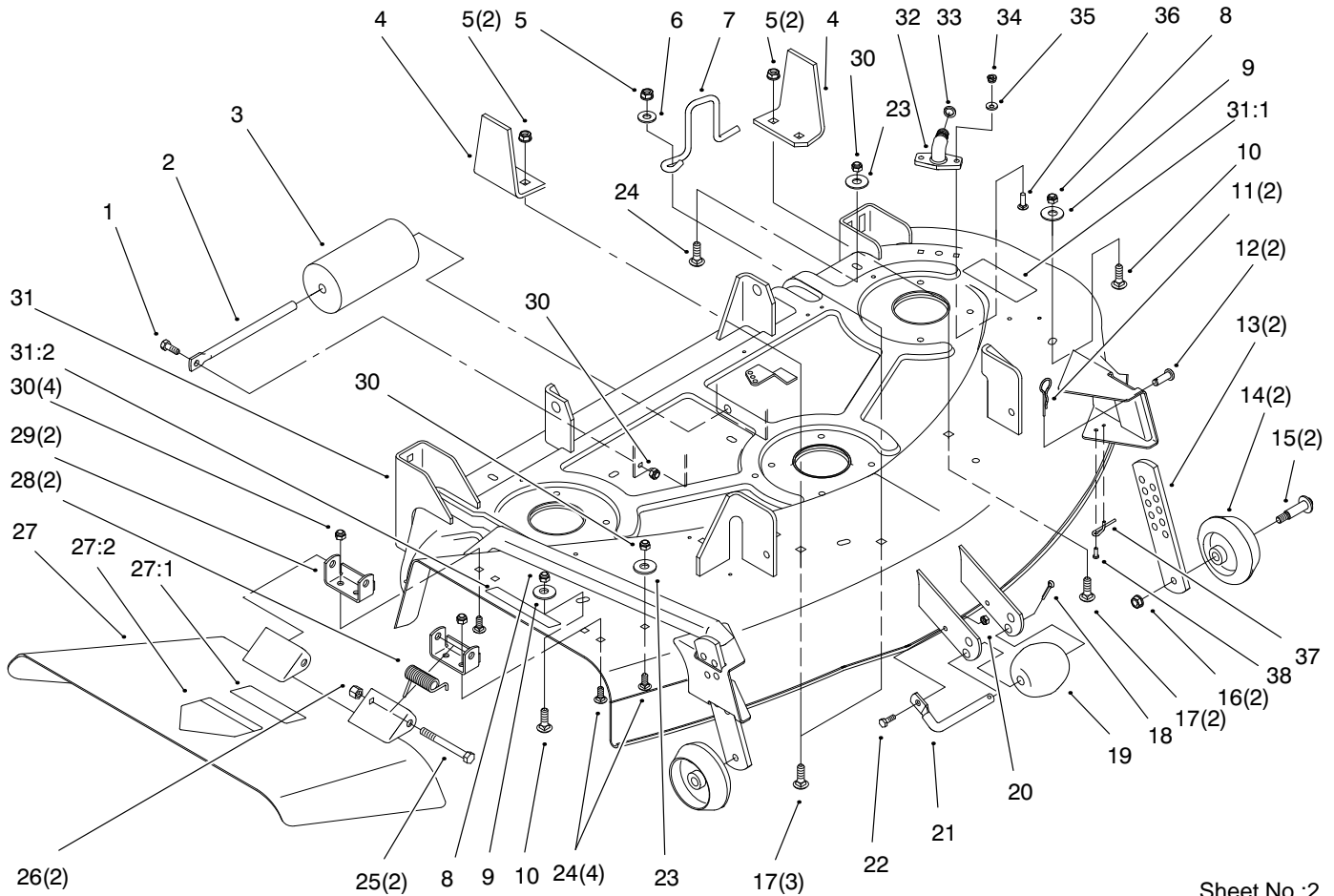


Sheet No.:2

Deck Assembly

Ref. No.	Part No.	Qty.	Description
1	322-4	1	Screw-HH
2	62-4480	1	Rod-Roller
3	36-1740	1	Roller-Deck
4	94-7952-01	2	Bracket Guide
5	3296-39	5	Nut-Lock
6	3256-41	1	Washer-Flat
7	95-3953	1	Guide-Belt
8	3296-39	2	Nut-Lock (Only On: 78357, 78444)
9	3256-5	2	Washer-Flat (Only On: 78357, 78444)
10	3231-21	2	Bolt-CARR (Only On: 78357, 78444)
11	3290-467	2	Pin-Cotter
12	283-2	2	Pin-Clevis
13	93-8010	2	Plate - Gage Wheel
14	701756	2	Wheel - Deck
15	56-6591	2	Wheel Bolt
16	3296-59	2	Nut-Lock
17	3231-25	5	Screw-CARR
18	3272-21	1	Pin-Cotter
19	29-4820	1	Roller
20	3296-42	1	Nut-Lock
21	118960	1	Shaft-Roller
22	321-4	1	Screw-HH

Ref. No.	Part No.	Qty.	Description
23	3256-2	1	Washer-Flat (Only On: 78358)
23	3256-2	2	Washer-Flat (Only On: 78357, 78444)
24	3230-23	5	Bolt-CARR (Only On: 78358)
24	3230-23	6	Bolt-CARR (Only On: 78357, 78444)
25	3211-15	2	Screw-Cap
26	3296-5	2	Nut-Lock
27	98-5048-01	1	Deflector ASM (Only On: 78357, 78358)
27	98-5049-01	1	Deflector ASM (Only On: 78444)
27:1	92-7108	1	Decal-Danger (Only On: 78357, 78358)
27:1	93-7317	1	Decal-Danger (Only On: 78444)
27:2	93-7316	1	Decal-Danger (Only On: 78444)
27:2	93-1122	1	Decal-Danger (Only On: 78357, 78358)
28	40-6230	2	Spring-Torsion
29	29-5590-03	2	Bracket-Pivot

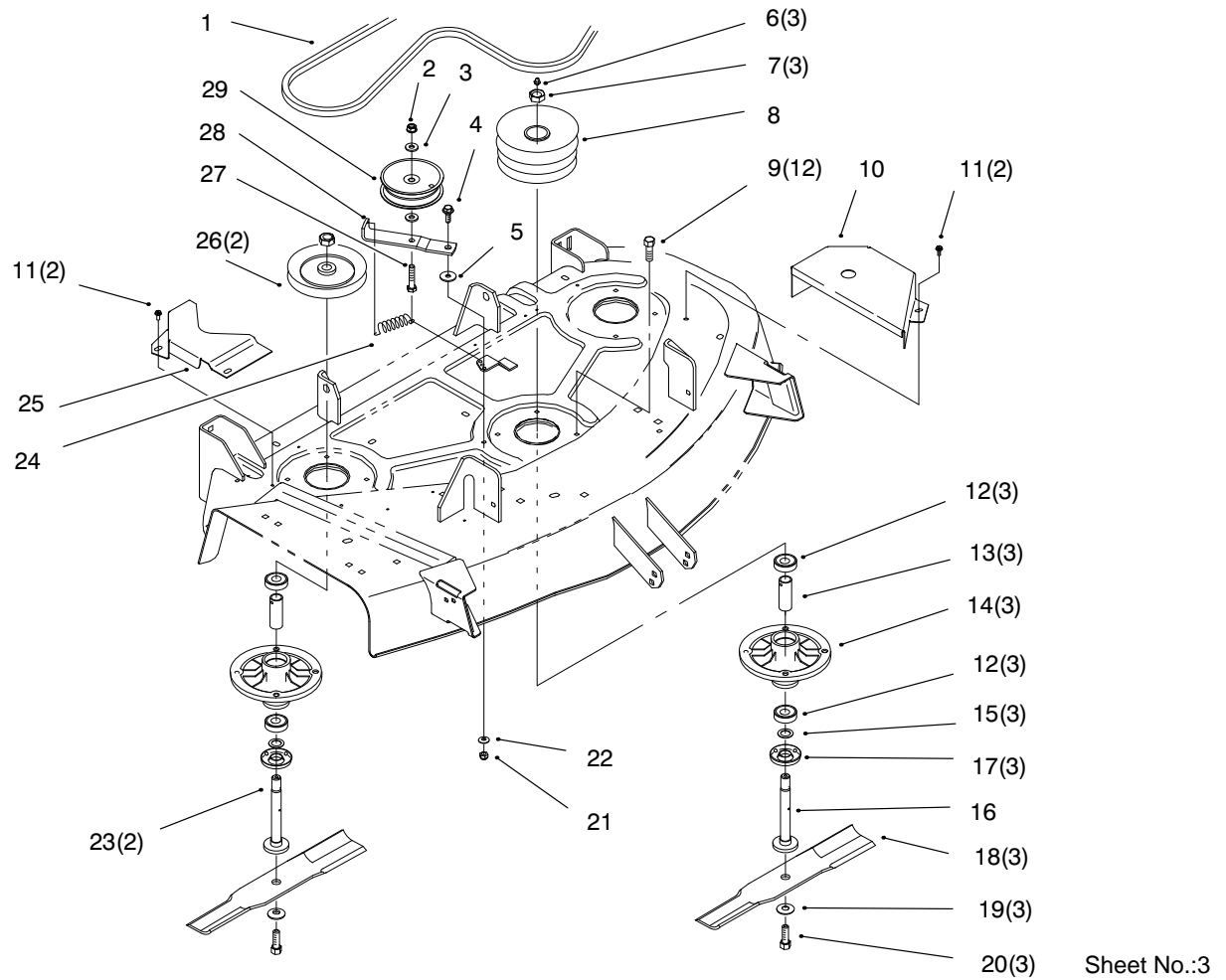


Sheet No.:2

Deck Assembly (Continued)

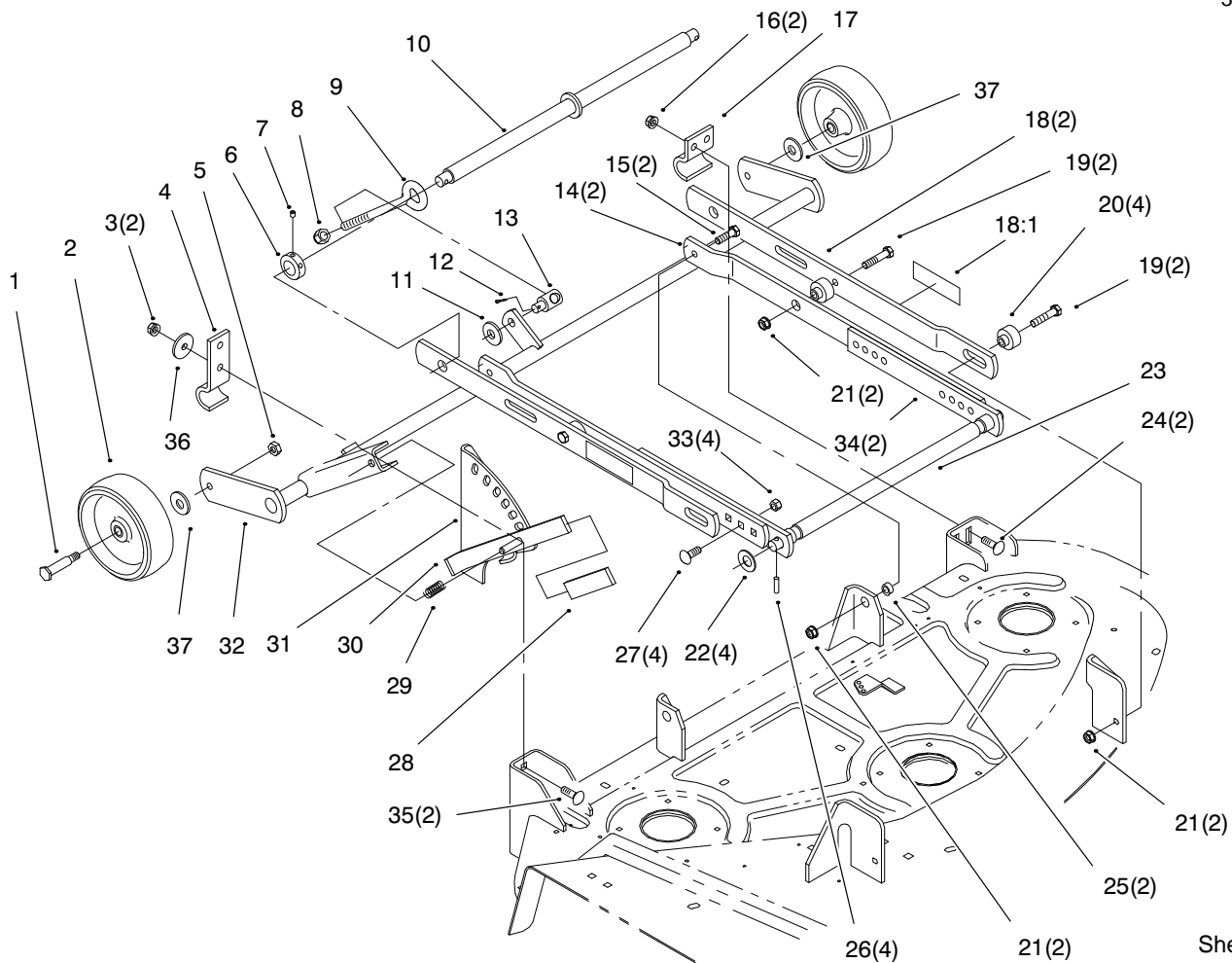
Ref. No.	Part No.	Qty.	Description
30	3296-29	6	Nut-Lock (Only On: 78358)
30	3296-29	7	Nut-Lock (Only On: 78357, 78444)
31	98-5086-01	1	Deck ASM (Only On: 78357, 78358)
31	98-5087-01	1	Deck ASM (Only On: 78444)
31:1	92-7109	1	Decal-Danger (Only On: 78357, 78358)
31:1	93-7009	1	Decal-Deflector Danger (Only On: 78444)
31:2	92-7108	1	Decal-Danger (Only On: 78357, 78358)
31:2	93-7317	1	Decal-Danger (Only On: 78444)
32	3296-16	2	Nut-Lock (Only On: 78444)
33	3256-1	2	Washer-Flat (Only On: 78444)
34	95-2747	1	Fitting-Washout (Only On: 78444)
35	46-6290	1	O-Ring (Only On: 78444)

Ref. No.	Part No.	Qty.	Description
36	3229-1	2	Bolt-CARR (Only On: 78444)
37	94-1981	2	Spring-Gage Wheel
38	32104-76	2	Screw-Self TAP



Spindle and Blade Assembly

Ref. No.	Part No.	Qty.	Description	Ref. No.	Part No.	Qty.	Description
1	95-4228	1	Belt-V	24	57-6540	1	Spring-Extension
2	3296-39	1	Nut-Lock	25	95-4252-01	1	Belt Cover
3	3256-3	2	Washer-Flat	26	94-7550	2	Pulley
4	27-0410	1	Bolt-Shoulder	27	323-9	1	Screw-HH
5	5-4460	1	Washer-Fender	28	57-6520-03	1	Arm-Idler
6	302-5	3	Fitting-Grease	29	36-3220	1	Pulley-Idler
7	3219-6	3	Nut-Hex				
8	94-7552	1	Pulley-Double				
9	32144-41	12	Screw-HWHTF				
10	95-4251-01	1	Belt Cover				
11	46-8560	4	Screw-HHF				
12	109966	6	Bearing-Ball				
13	94-7959	3	Spacer-Bearing				
14	88-4510	3	Spindle				
15	80-4380	3	Spacer				
16	94-7547	1	Shaft-Spindle				
17	80-4360	3	Shield - Bearing				
18	54-0010	3	Blade (Only On: 78357, 78444)				
18	55-4940	3	Blade (Only On: 78358)				
19	3290-465	3	Washer-Spring				
20	26-0671	3	Bolt-Blade				
21	3296-29	1	Nut-Lock				
22	3256-2	1	Washer-Flat				
23	94-7546	2	Shaft-Spindle				

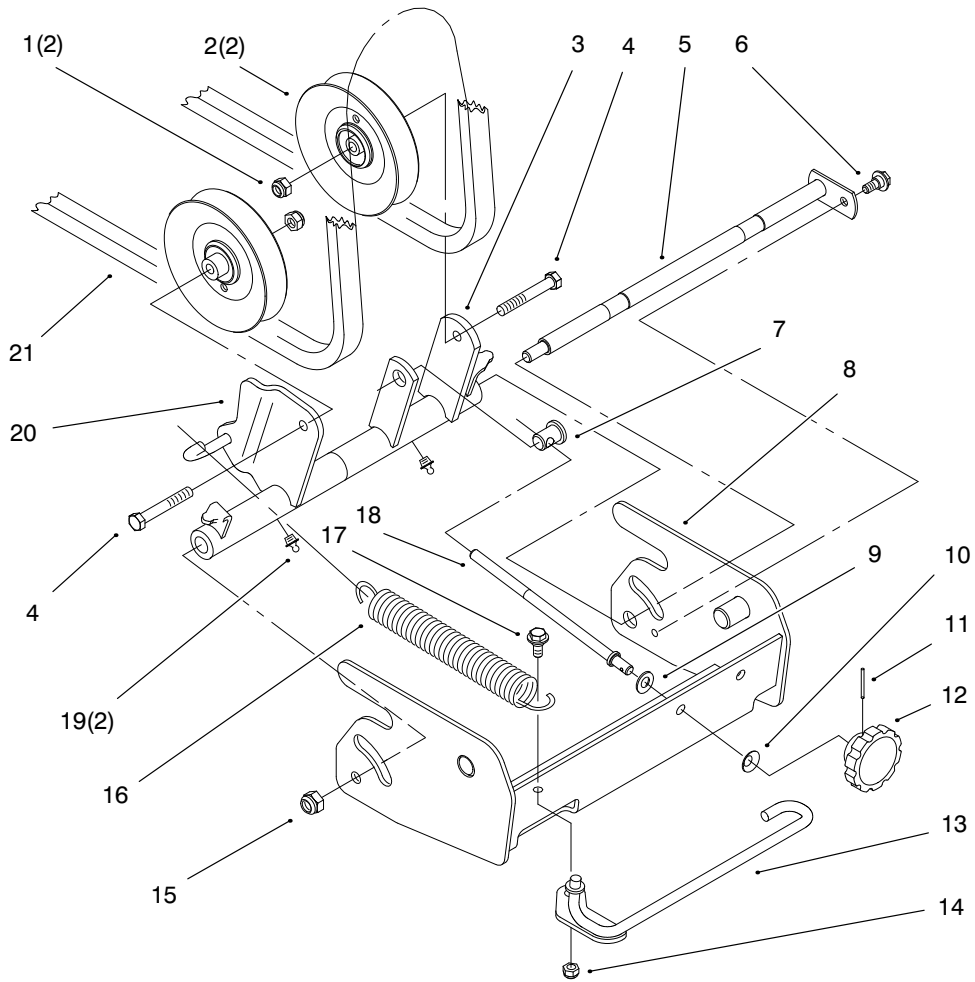


Sheet No.:4

Deck Suspension Assembly

Ref. No.	Part No.	Qty.	Description
1	92-1057	2	Bolt-Shoulder
2	109375	2	Wheel (Only On: 78444)
2	95-4102	2	Wheel (Only On: 78357, 78358)
3	3296-39	2	Nut-Lock
4	110837-03	1	Bracket-Pivot
5	32146-2	2	Nut-Hex Lock
6	94-7953	1	Collar
7	3245-2	2	Screw-Set
8	3296-23	1	Nut-Lock
9	94-7954	1	Rod-Level Adjustment
10	94-7943-01	1	Leveler Shaft ASM
11	3256-26	1	Washer-Flat
12	3272-12	1	Pin-Cotter
13	94-7802	1	Trunnion
14	94-7801-01	2	Draftbar
15	323-7	2	Screw-HH
16	32128-40	2	Nut-HFW
17	94-7543-03	1	Clamp
18	98-5041	1	Leveler ASM LH (Only On: 78357, 78358)
18	98-5042	1	Leveler ASM LH (Only On: 78444)
18	98-5043	1	Leveler ASM RH (Only On: 78357, 78358)

Ref. No.	Part No.	Qty.	Description
18	98-5044	1	Leveler ASM RH (Only On: 78444)
18:1	93-9367	1	Decal-Warning (Only On: 78444)
18:1	98-3478	1	Decal-Warning (Only On: 78357, 78358)
19	323-9	4	Screw-HH
20	115706	4	Spacer
21	102809	6	Nut-Hex Lock
22	3256-69	4	Washer-Flat
23	94-2130-01	1	Shaft-Draftbar
24	3231-2	2	Screw-CARR
25	114127	2	Spacer
26	933216	4	Pin
27	3231-38	4	Screw-CARR
28	102597	1	Grip
29	101853	1	Spring-Compression
30	94-7965-01	1	HOC Lever ASM
31	94-7544-01	1	Quadrant
32	94-7554-01	1	Wheel Support ASM
33	32152-2	4	Nut-Lock HH
34	94-7804-01	1	Bar-Draftbar Adj.
35	3231-4	2	Bolt-CARR
36	98-3479	1	Washer-Support
37	9202424	2	Washer-Flat (Only On: 78444)

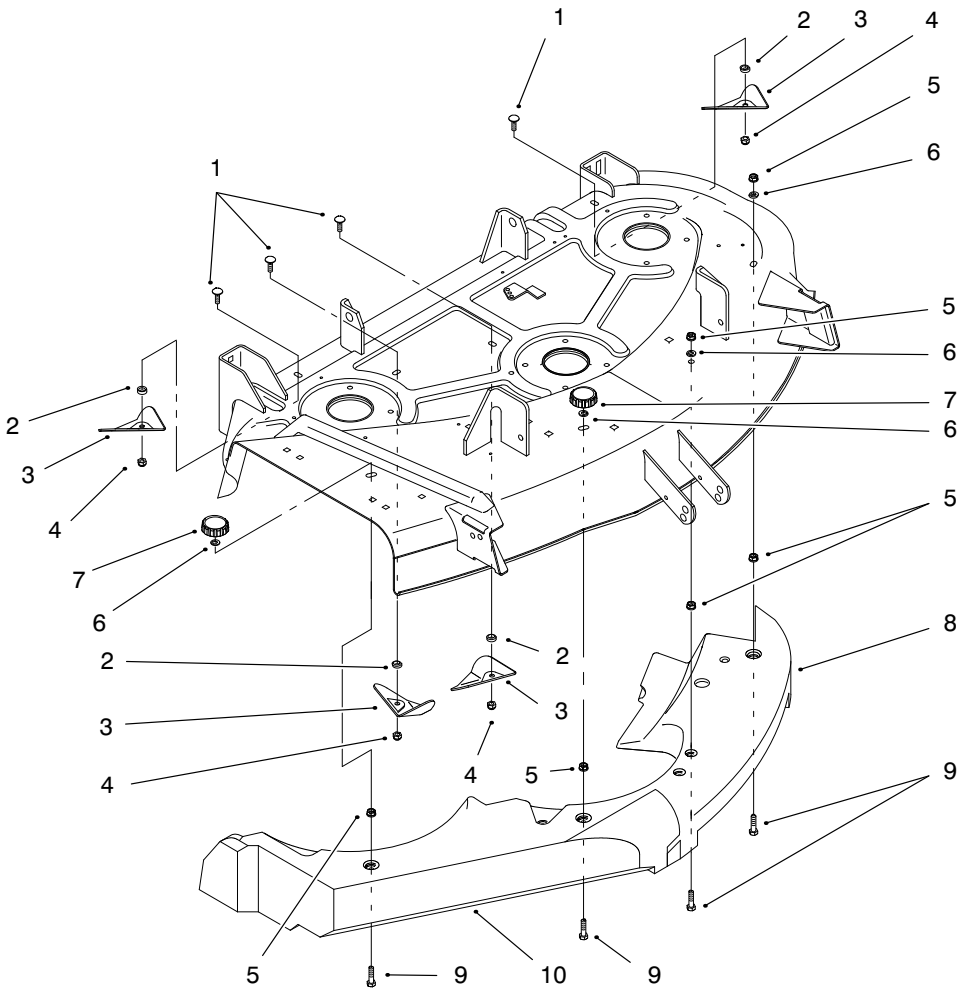


Sheet No.:5

Pulley Box Assembly

Ref. No.	Part No.	Qty.	Description
1	3296-39	2	Nut-Lock
2	94-2447	2	Pulley-Idler
3	94-2284-01	1	Idler Lever ASM
4	323-10	2	Screw-HH
5	94-2423	1	Pivot Rod
6	32144-70	1	Screw-TAP
7	94-2449	1	Ferrule-Adjuster
8	94-2287-03	1	Pulley Box ASM
9	3256-24	1	Washer-Flat
10	108571	1	Washer-Spring
11	933156	1	Pin-Spirol
12	101851	1	Knob-Adjustment
13	94-7764	1	Idler Tensioner
14	3296-29	1	Nut-Lock
15	32152-9	1	Nut-Lock
16	94-2460	1	Spring-Extension
17	19-1471	1	Bolt-Shoulder
18	94-2288	1	Rod-Tension
19	302-5	2	Fitting-Grease
20	94-2462-01	1	Idler Arm ASM
21	95-4094	1	Belt-V

Ref. No.	Part No.	Qty.	Description

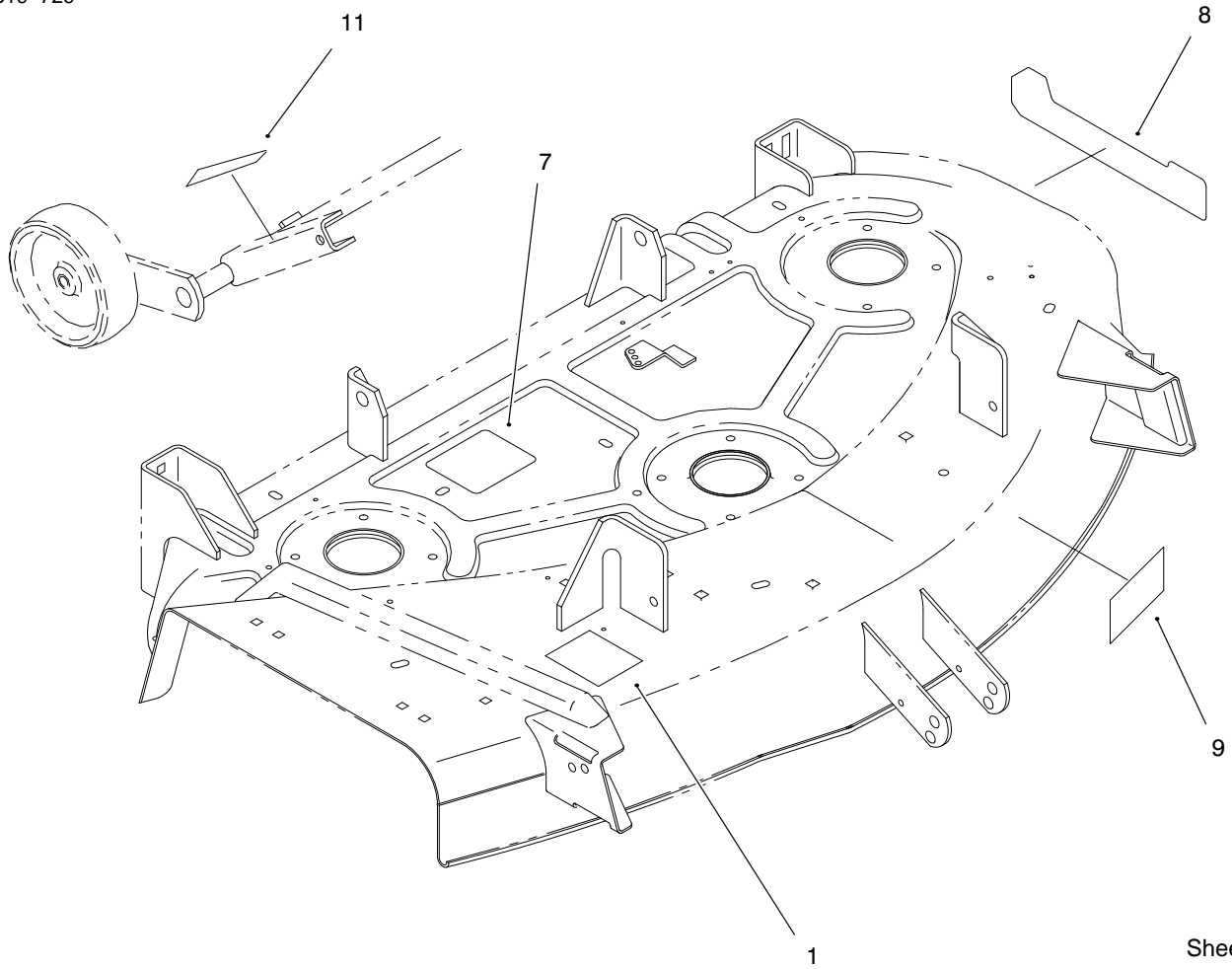


Sheet No.:6

Baffle Assembly

Ref. No.	Part No.	Qty.	Description
1	3230-23	4	Bolt-CARR (Only On: 78358)
2	59-4310	4	Spacer (Only On: 78358)
3	84-5760	4	Plate-Kicker (Only On: 78358)
4	3296-29	4	Nut-Lock (Only On: 78358)
5	32149-1	6	Nut (Only On: 78358)
6	3290-456	4	Washer-Lock (Only On: 78358)
7	94-5583	2	Knob (Only On: 78358)
8	93-7652	1	Baffle-LH (Only On: 78358)
9	322-6	4	Screw-HH (Only On: 78358)
10	93-7651	1	Baffle-RH (Only On: 78358)

Ref. No.	Part No.	Qty.	Description



C-2709
Sheet No.:7

Decal Assembly

Ref. No.	Part No.	Qty.	Description
1	98-3481	1	Decal-PTO Belt Routing
7	98-3489	1	Decal-Belt Routing
8	93-3776	1	Decal-Deck (Only On: 78358)
9	93-7282	1	Decal-Wheel
11	111655	1	Decal-Height Of Cut (Only On: 78357, 78358)

Ref. No.	Part No.	Qty.	Description

Toro Part Number Index

Part No.	Page No.	Ref. No.	Qty.	Description
101851	6	12	1	Knob-Adjustment
101853	4	29	1	Spring-Compression
102597	4	28	1	Grip
102809	4	21	6	Nut-Hex Lock
108571	6	10	1	Washer-Spring
109375	4	2	2	Wheel (Only On: 78444)
109966	3	12	6	Bearing-Ball
111655	8	11	1	Decal-Height Of Cut (Only On: 78357, 78358)
114127	4	25	2	Spacer
115706	4	20	4	Spacer
118960	1	21	1	Shaft-Roller
701756	1	14	2	Wheel - Deck
933156	6	11	1	Pin-Spirol
933216	4	26	4	Pin
9202424	4	37	2	Washer-Flat (Only On: 78444)
5-4460	3	5	1	Washer-Fender
19-1471	6	17	1	Bolt-Shoulder
26-0671	3	20	3	Bolt-Blade
27-0410	3	4	1	Bolt-Shoulder
29-4820	1	19	1	Roller
29-5590-03	1	29	2	Bracket-Pivot
36-1740	1	3	1	Roller-Deck
36-3220	3	29	1	Pulley-Idler
40-6230	1	28	2	Spring-Torsion
46-6290	2	35	1	O-Ring (Only On: 78444)
46-8560	3	11	4	Screw-HHF
54-0010	3	18	3	Blade (Only On: 78357, 78444)
55-4940	3	18	3	Blade (Only On: 78358)
56-6591	1	15	2	Wheel Bolt
57-6520-03	3	28	1	Arm-Idler
57-6540	3	24	1	Spring-Extension
59-4310	7	2	4	Spacer (Only On: 78358)
62-4480	1	2	1	Rod-Roller
80-4360	3	17	3	Shield - Bearing
80-4380	3	15	3	Spacer
84-5760	7	3	4	Plate-Kicker (Only On: 78358)
88-4510	3	14	3	Spindle
92-1057	4	1	2	Bolt-Shoulder
92-7108	1	27:1	1	Decal-Danger (Only On: 78357, 78358)
92-7108	2	31:2	1	Decal-Danger (Only On: 78357, 78358)
92-7109	2	31:1	1	Decal-Danger (Only On: 78357, 78358)
93-1122	1	27:2	1	Decal-Danger (Only On: 78357, 78358)
93-3776	8	8	1	Decal-Deck (Only On: 78358)
93-7009	2	31:1	1	Decal-Deflector Danger (Only On: 78444)
93-7282	8	9	1	Decal-Wheel Adjustment
93-7316	1	27:2	1	Decal-Danger (Only On: 78444)
93-7317	1	27:1	1	Decal-Danger (Only On: 78444)
93-7317	2	31:2	1	Decal-Danger (Only On: 78444)
93-7651	7	10	1	Baffle-RH (Only On: 78358)
93-7652	7	8	1	Baffle-LH (Only On: 78358)
93-8010	1	13	2	Plate - Gage Wheel
93-9367	4	18:1	1	Decal-Warning (Only On: 78444)
94-1981	2	37	2	Spring-Gage Wheel
94-2130-01	4	23	1	Shaft-Draftbar
94-2284-01	6	3	1	Idler Lever ASM
94-2287-03	6	8	1	Pulley Box ASM
94-2288	6	18	1	Rod-Tension
94-2423	6	5	1	Pivot Rod
94-2447	6	2	2	Pulley-Idler
94-2449	6	7	1	Ferrule-Adjuster
94-2460	6	16	1	Spring-Extension
94-2462-01	6	20	1	Idler Arm ASM

*Not Illustrated

Toro Part Number Index (cont.)

Part No.	Page No.	Ref. No.	Qty.	Description
94-5583	7	7	2	Knob (Only On: 78358)
94-7543-03	4	17	1	Clamp
94-7544-01	4	31	1	Quadrant
94-7546	3	23	2	Shaft-Spindle
94-7547	3	16	1	Shaft-Spindle
94-7550	3	26	2	Pulley
94-7552	3	8	1	Pulley-Double
94-7554-01	4	32	1	Wheel Support ASM
94-7764	6	13	1	Idler Tensioner
94-7801-01	4	14	2	Draftbar
94-7802	4	13	1	Trunnion
94-7804-01	4	34	1	Bar-Draftbar Adj.
94-7943-01	4	10	1	Leveler Shaft ASM
94-7952-01	1	4	2	Bracket Guide
94-7953	4	6	1	Collar
94-7954	4	9	1	Rod-Level Adjustment
94-7959	3	13	3	Spacer-Bearing
94-7965-01	4	30	1	HOC Lever ASM
95-2747	2	34	1	Fitting-Washout (Only On: 78444)
95-3953	1	7	1	Guide-Belt
95-4094	6	21	1	Belt-V
95-4102	4	2	2	Wheel (Only On: 78357, 78358)
95-4228	3	1	1	Belt-V
95-4251-01	3	10	1	Belt Cover
95-4252-01	3	25	1	Belt Cover
98-3478	4	18:1	1	Decal-Warning (Only On: 78357, 78358)
98-3479	4	36	1	Washer-Support
98-3481	8	1	1	Decal-PTO Belt Routing
98-3489	8	7	1	Decal-Belt Routing
98-5041	4	18	1	Leveler ASM LH (Only On: 78357, 78358)
98-5042	4	18	1	Leveler ASM LH (Only On: 78444)
98-5043	4	18	1	Leveler ASM RH (Only On: 78357, 78358)
98-5044	4	18	1	Leveler ASM RH (Only On: 78444)
98-5048-01	1	27	1	Deflector ASM (Only On: 78357, 78358)
98-5049-01	1	27	1	Deflector ASM (Only On: 78444)
98-5086-01	2	31	1	Deck ASM (Only On: 78357, 78358)
98-5087-01	2	31	1	Deck ASM (Only On: 78444)
110837-03	4	4	1	Bracket-Pivot
283-2	1	12	2	Pin-Clevis
302-5	3	6	3	Fitting-Grease
302-5	6	19	2	Fitting-Grease
321-4	1	22	1	Screw-HH
322-4	1	1	1	Screw-HH
322-6	7	9	4	Screw-HH (Only On: 78358)
323-7	4	15	2	Screw-HH
323-9	3	27	1	Screw-HH
323-9	4	19	4	Screw-HH
323-10	6	4	2	Screw-HH
3211-15	1	25	2	Screw-Cap
3219-6	3	7	3	Nut-Hex
3229-1	2	36	2	Bolt-CARR (Only On: 78444)
3230-23	1	24	6	Bolt-CARR (Only On: 78357, 78444)
3230-23	1	24	5	Bolt-CARR (Only On: 78358)
3230-23	7	1	4	Bolt-CARR (Only On: 78358)
3231-2	4	24	2	Screw-CARR
3231-4	4	35	2	Bolt-CARR
3231-21	1	10	2	Bolt-CARR (Only On: 78357, 78444)
3231-25	1	17	5	Screw-CARR
3231-38	4	27	4	Screw-CARR
3245-2	4	7	2	Screw-Set
3256-1	2	33	2	Washer-Flat (Only On: 78444)
3256-2	3	22	1	Washer-Flat

*Not Illustrated

Toro Part Number Index (cont.)

Part No.	Page No.	Ref. No.	Qty.	Description
3256-2	1	23	2	Washer-Flat (Only On: 78357, 78444)
3256-2	1	23	1	Washer-Flat (Only On: 78358)
3256-3	3	3	2	Washer-Flat
3256-5	1	9	2	Washer-Flat (Only On: 78357, 78444)
3256-24	6	9	1	Washer-Flat
3256-26	4	11	1	Washer-Flat
3256-41	1	6	1	Washer-Flat
3256-69	4	22	4	Washer-Flat
3272-12	4	12	1	Pin-Cotter
3272-21	1	18	1	Pin-Cotter
3290-456	7	6	4	Washer-Lock (Only On: 78358)
3290-465	3	19	3	Washer-Spring
3290-467	1	11	2	Pin-Cotter
3296-5	1	26	2	Nut-Lock
3296-16	2	32	2	Nut-Lock (Only On: 78444)
3296-23	4	8	1	Nut-Lock
3296-29	3	21	1	Nut-Lock
3296-29	6	14	1	Nut-Lock
3296-29	2	30	7	Nut-Lock (Only On: 78357, 78444)
3296-29	2	30	6	Nut-Lock (Only On: 78358)
3296-29	7	4	4	Nut-Lock (Only On: 78358)
3296-39	1	5	5	Nut-Lock
3296-39	3	2	1	Nut-Lock
3296-39	4	3	2	Nut-Lock
3296-39	6	1	2	Nut-Lock
3296-39	1	8	2	Nut-Lock (Only On: 78357, 78444)
3296-42	1	20	1	Nut-Lock
3296-59	1	16	2	Nut-Lock
32104-76	2	38	2	Screw-Self TAP
32128-40	4	16	2	Nut-HFW
32144-41	3	9	12	Screw-HWHTF
32144-70	6	6	1	Screw-TAP
32146-2	4	5	2	Nut-Hex Lock
32149-1	7	5	6	Nut (Only On: 78358)
32152-2	4	33	4	Nut-Lock HH
32152-9	6	15	1	Nut-Lock

MAINTENANCE RECORD

Date								

