



42in Side Discharge Mower XT Series Garden Tractors

Model No. 78292 - 230000001 and up.

Parts Catalog

Ordering Replacement Parts

To order replacement parts, please supply: the part number, the quantity, and the description of each part desired.

Understanding Reference Numbers

Each identified part in an illustration has a reference number. The reference number for a part also appears in the parts list, along with other information about the part.

This catalog uses two special reference number formats, one to indicate parts in a service assembly and another to indicate the quantity of a given part in an illustration.

Service Assembly Reference Numbers

Parts in service assemblies have reference numbers in the form **a:b**. The **a** represents the reference number of the entire service assembly and the **b** represents a sequential number unique to each part within the service assembly.

For example, a wheel assembly might be identified by reference number **6**, the tire by **6:1**, the valve by **6:2**, and the wheel by **6:3**. When you order the assembly identified by reference number **6**, you receive all parts identified by reference numbers **6:1**, **6:2**, and **6:3**. However, you may also order any part individually. Reference numbers of this type appear in illustrations and in part lists.

Reference Numbers Indicating Quantity

In an illustration, if a reference number indicates more than one part, the reference number has the form **nX y**. The **n** represents the quantity of the part, the **X** is the multiplication symbol, and the **y** represents the reference number.

For example, in an illustration, the reference number **2X 37** means that two of the parts identified by reference number **37** are indicated.

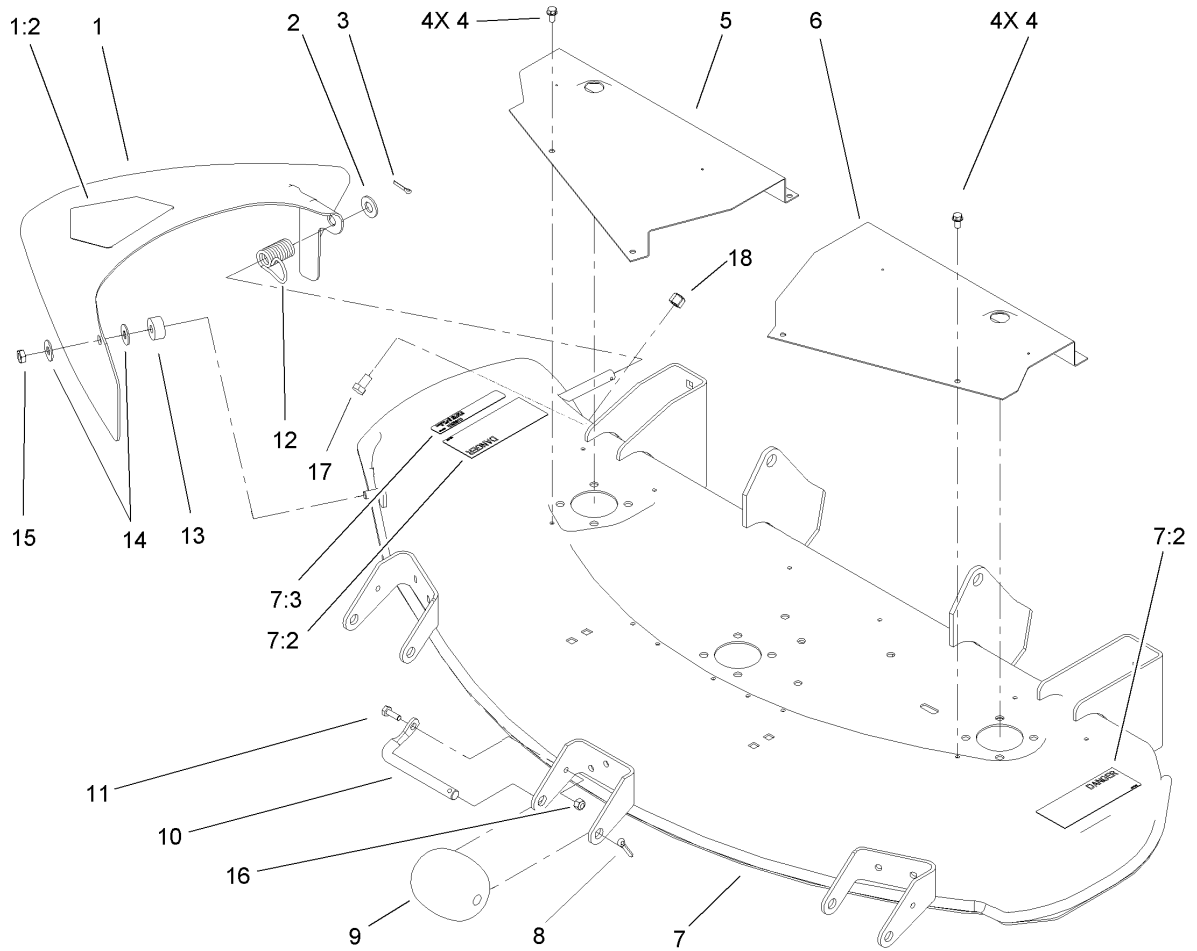
Part Description Abbreviations

Part descriptions in this catalog may include the following abbreviations

AR.....	as required	HWHTF.....	hex washer head thread forming
ASM.....	assembly	HYD.....	hydraulic
CARR.....	carriage	INC.....	incorporated
DEG.....	degrees	LH.....	left hand
FH.....	flat head	NI.....	nylon insert
GA.....	gauge	PPH.....	phillips pan head
HF.....	hex flange	PTH.....	phillips truss head
HH.....	hex head	PTO.....	power take off
HHF.....	hex head flange	RH.....	right hand
HHFTF.....	hex head flange thread forming	SFH.....	slotted fillister head
HJ.....	hex jam	SHH.....	slotted hex head
HLH.....	hex lag head	SHWH.....	slotted hex washer head
HOC.....	height-of-cut	SPH.....	slotted pan head
HS.....	hex	SQH.....	square head
HSBH.....	hex socket button head	SRH.....	slotted round head
HSFH.....	hex socket flat head	STD.....	standard
HSH.....	hex socket head	TAP.....	self tapping
HWH.....	hex washer head	TTH.....	torx truss head

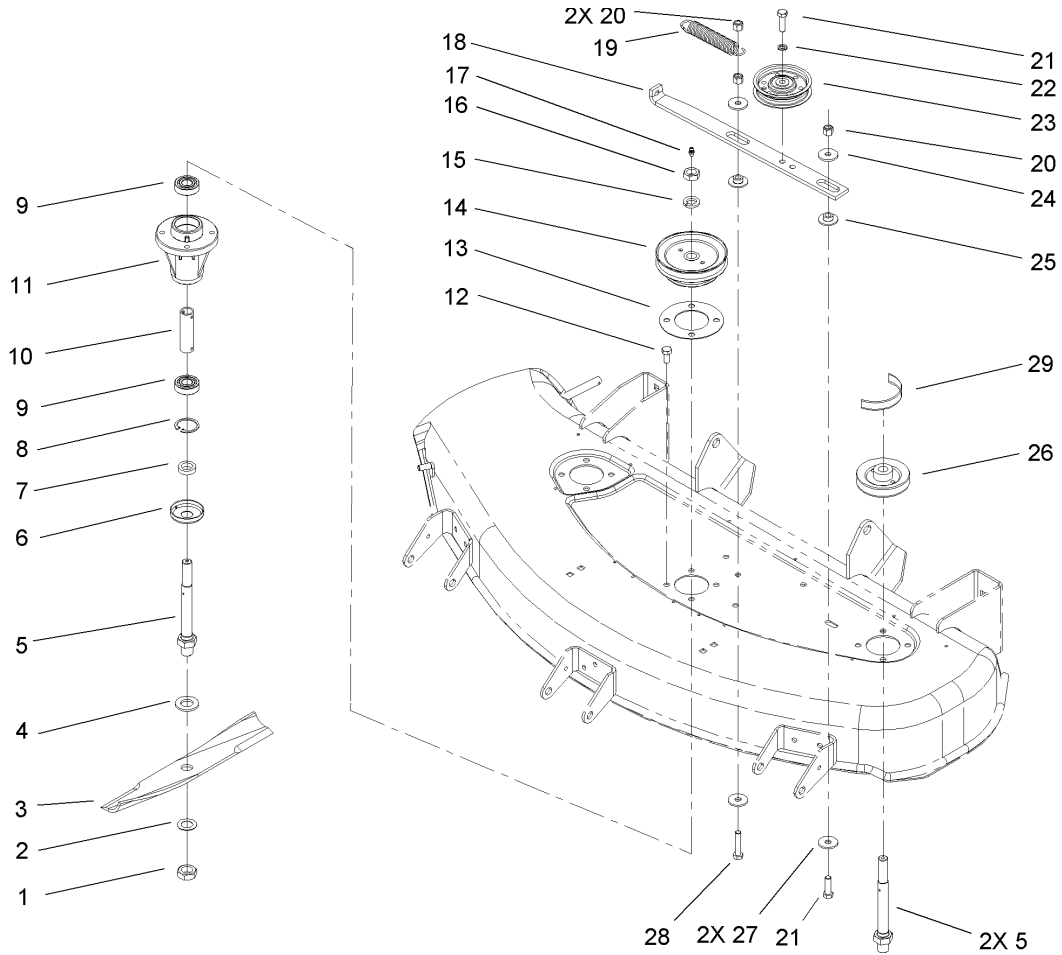
Content

Description	Page
Deck Assembly 3
Spindle and Blade Assembly 4
Deck Suspension Assembly 5
Pulley Box Assembly 6
Decal Assembly 7



Deck Assembly

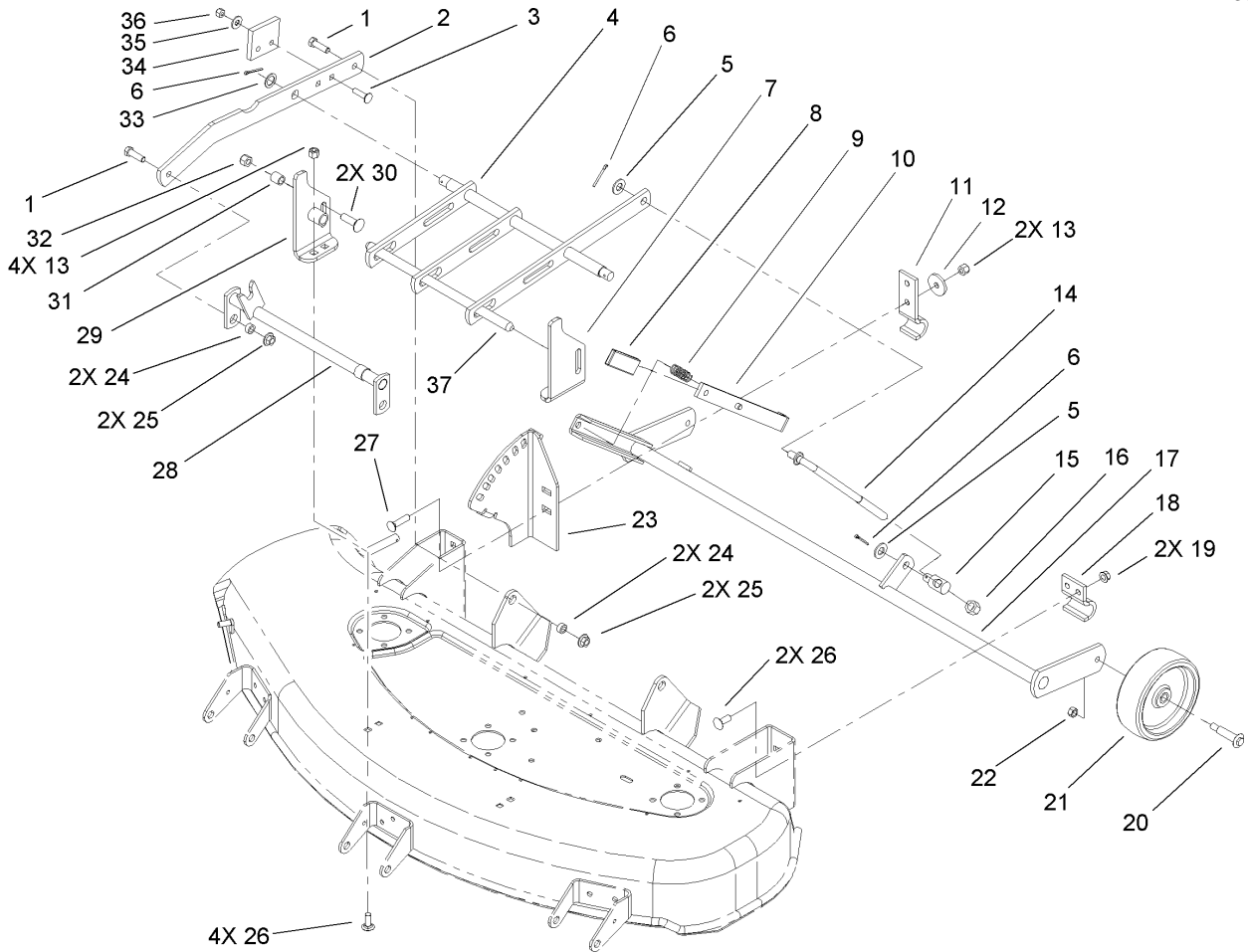
Ref	Part No.	Qty.	Description
1	99-3708	1	Chute ASM
1:2	93-1122	1	Decal-Danger
2	3256-26	1	Washer-Flat
3	3272-10	1	Pin-Cotter
4	9266714	8	Screw-HWH
5	107028-01	1	Cover-Belt, RH
6	106-9882-01	1	Cover-Belt, LH
7	106-9919	1	Deck And Decal ASM
7:2	92-7108	2	Decal-Danger
7:3	92-7109	1	Decal-Caution
8	3272-21	3	Pin-Cotter
9	94-1599	3	Roller
10	110847-03	3	Shaft-Roller
11	321-4	3	Screw-HH
12	93-1631	1	Spring-Deflector
13	116080	1	Bushing-Pivot
14	93-1633	2	Washer
15	3218-3	1	Nut-Jam
16	3296-16	3	Nut-Lock, NI
17	323-34	1	Screw-HH
18	3296-39	1	Nut-Lock, NI



Spindle and Blade Assembly

Ref	Part No.	Qty.	Description
1	3220-7	3	Nut-Jam
2	3256-28	3	Washer-Flat
3	106077	3	Blade-14in
4	9202574	3	Washer-Flat
5	112674	3	Shaft-Spindle
6	106067	3	Cup-Spindle
7	106068	3	Spacer-Blade
8	32120-42	3	Ring-Retaining
9	109966	6	Bearing-Ball
10	116085	3	Tube
11	114568	3	Housing-Spindle
12	9080326	12	Screw-HH
13	106117	1	Plate-Spindle
14	110148	1	Pulley
15	3253-8	3	Washer-Lock
16	3220-6	3	Nut-Jam
17	302-5	3	Fitting-Grease
18	106120	1	Bar-Idler Support
19	100071	1	Spring-Extension
20	3296-39	3	Nut-Lock, NI
21	323-7	2	Screw-HH
22	3253-21	1	Washer-Lock
23	92-7101	1	Pulley-Flat Idler
24	107675	2	Washer

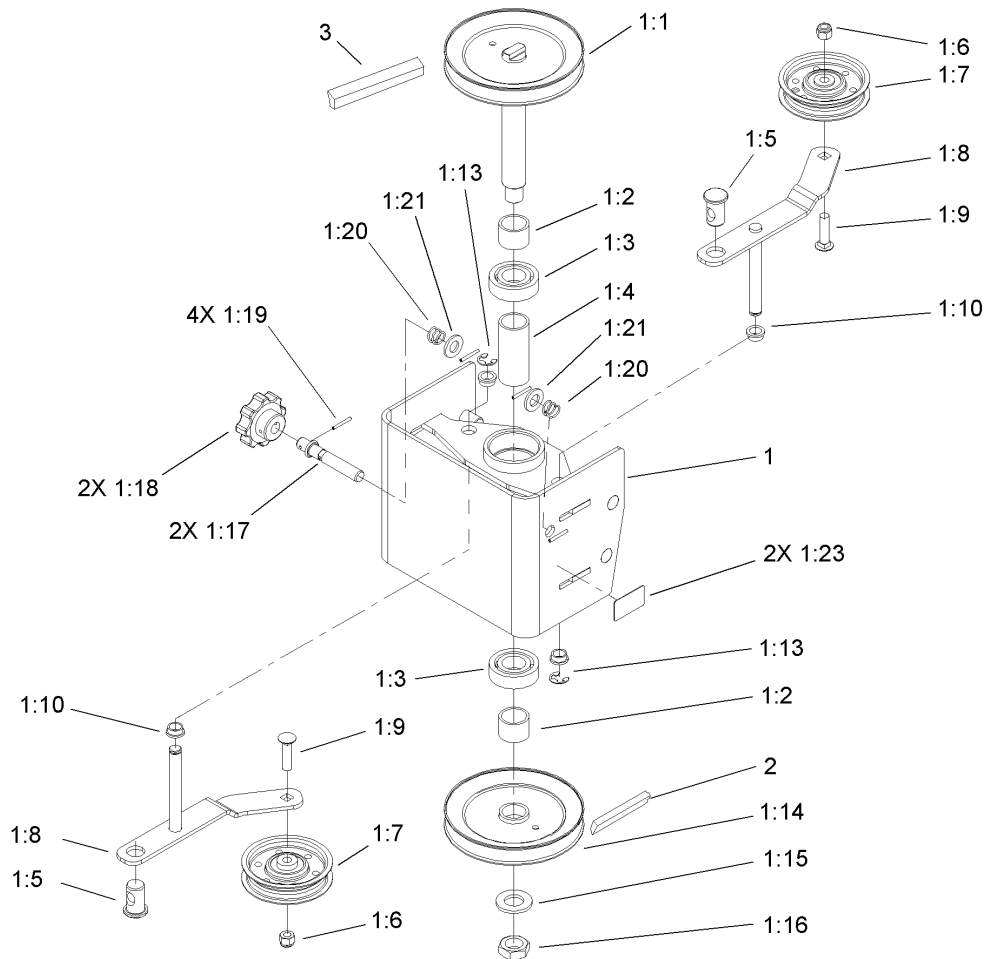
Ref	Part No.	Qty.	Description
25	107674	2	Spacer-Bushing
26	109967	2	Pulley
27	2844	2	Washer
28	323-9	1	Screw-HH
29	6738	1	V Belt



Deck Suspension Assembly

Ref	Part No.	Qty.	Description
1	323-7	4	Screw-HH
2	106-5641-03	2	Bar-Draft
3	3230-3	4	Screw-CARR
4	92-0981-03	1	Bar-Leveler
5	3256-26	2	Washer-Flat
6	3272-12	4	Pin-Cotter
7	106-5603-03	1	Bracket-Front Deck, LH
8	102597	1	Grip
9	101853	1	Spring-Compression
10	94-7965-01	1	Lever-HOC
11	110837-03	1	Bracket-Pivot
12	98-3479	1	Washer-Support
13	3296-39	6	Nut-Lock, NI
14	106-4098	1	Rod-Adjustment
15	94-7802	1	Trunnion
16	3296-23	1	Nut-Lock, NI
17	106-8285-01	1	Wheel Support ASM
18	94-7543-03	1	Clamp
19	32128-40	2	Nut-Flange
20	92-1057	2	Bolt-Shoulder
21	95-4102	2	Wheel
22	32146-2	2	Nut-Lock, NI
23	106-9914-01	1	Quadrant ASM
24	114127	4	Spacer

Ref	Part No.	Qty.	Description
25	102809	4	Locknut-Flange
26	3231-2	6	Screw-CARR
27	3231-4	2	Screw-CARR
28	106-5644-03	1	Hitch ASM
29	106-5604-03	1	Bracket-Front Deck, RH
30	3232-3	2	Screw-CARR
31	9793604	2	Spacer
32	3296-48	2	Nut-Lock, NI
33	3256-69	2	Washer-Flat
34	102322	2	Bumper
35	3256-3	4	Washer-Flat
36	3296-29	4	Nut-Lock, NI
37	102570-03	1	Shaft-Front



Pulley Box Assembly

Ref	Part No.	Qty.	Description
1	106-5562	1	Pulley Box ASM
1:1	106-5625	1	Upper Pulley ASM
1:2	106-5634	2	Spacer-Pulley
1:3	251-82	2	Bearing-Ball
1:4	106-5633	1	Spacer-Bearing
1:5	105-1397	2	Ferrule-Adjuster
1:6	3296-22	2	Nut-Lock NI
1:7	92-7101	2	Pulley-Flat Idler
1:8	106-5636	2	Idler Arm ASM
1:9	3231-4	2	Screw-CARR
1:10	256-156	4	Bushing-Flange
1:13	32120-47	2	Ring-Retaining, External
1:14	106-5627	1	Lower Pulley ASM
1:15	3256-28	1	Washer-Flat
1:16	3220-7	1	Nut-Jam
1:17	106-4024	2	Rod-Tension
1:18	105-1492	2	Knob-Adjusting
1:19	933156	4	Pin-Roll
1:20	106-9892	2	Spring-Compression
1:21	106-9888	2	Washer-Flat
1:23	65-2690	2	Decal-Surface, Hot
2	106-5828	1	Belt-Drive
3	106-5631	1	Belt-PTO

