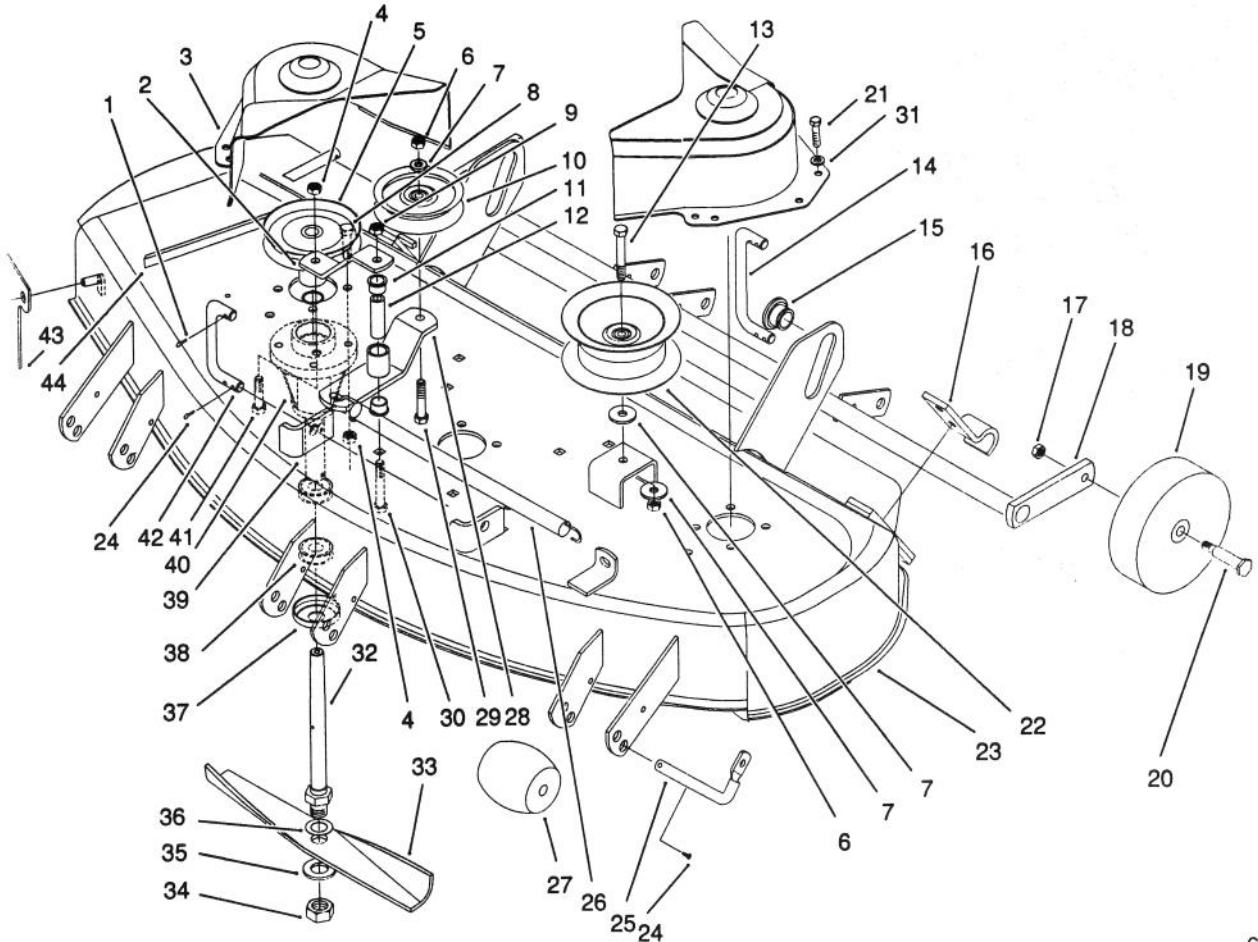




MODEL NO. 0542SS01-1000001 & UP

PARTS CATALOG

WHEEL HORSE®
42" (107cm) Rotary Cutting Unit



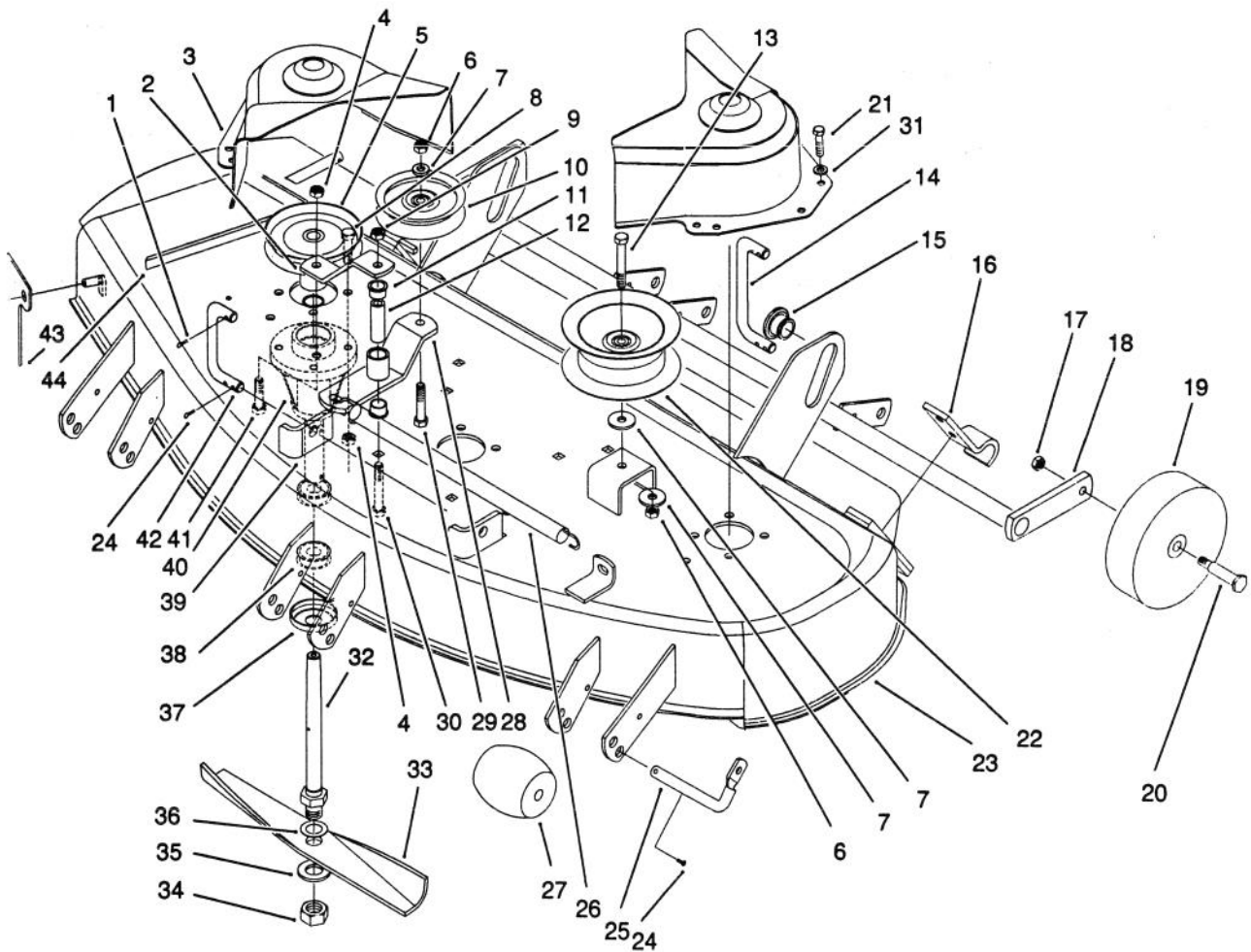
C-0968

CUTTING DECK ASSEMBLY

Ref. No.	Part No.	Description	No. Used
1	933506	Pin - Cotter	2
2	78-3140	Strap - Brace	1
3	78-6891	Cover - Belt	2
4	915663	Nut - Hex	2
5	78-1210	Pulley - Spindle	3
6	915663	Nut - Hex	1
7	920009	Washer - Flat	3
8	908032	Screw - Hex Hd. Cap	12
9	915663	Nut - Hex	1
10	115119	Pulley - Idler	1
11	109859	Bushing	2
12	114512	Tube	1
13	908039	Screw - Hex Hd. Cap	1
14	78-6681	Link - Rear	1
15	78-7340	Roller - Lift	2
16	110837	Clamp	2
17	915113	Nut - Hex	2

Ref. No.	Part No.	Description	No. Used
18	78-6661	Gage Wheel Support W.A.	1
19	110506	Wheel	2
20	5188	Bolt - Wheel	2
21	926671	Screw - Hex Hd. Cap	4
22	72-8250	Pulley - Idler	1
23	78-6450	Deck W.A.	1
24	932034	Pin - Cotter	3
25	118960	Shaft - Roller	3
26	116172	Spring - Extension	1
27	29-4820	Roller	3
28	78-3160	Arm - Idler	1
29	908037	Screw - Hex Hd. Cap	1
30	908042	Screw - Hex Hd. Cap	1
31	920007	Washer	4
32	78-6710	Shaft - Spindle	3
33	106636	Blade Kit	1
34	915090	Nut - Hex	3

TPS



C-0968

CUTTING DECK ASSEMBLY (CONTINUED)

Ref. No.	Part No.	Description	No. Used
35	920015	Washer	3
36	920257	Washer - Flat	3
37	106085	Cup - Spindle	3
38	109966	Bearing - Ball	6
39	116085	Tube - Spindle	3

Ref. No.	Part No.	Description	No. Used
40	114568	Housing - Spindle	3
41	908034	Screw - Hex Hd. Cap	1
42	78-6701	Link - Front	1
43	115994	Chute - Discharge	1
44	78-6240	Belt	1