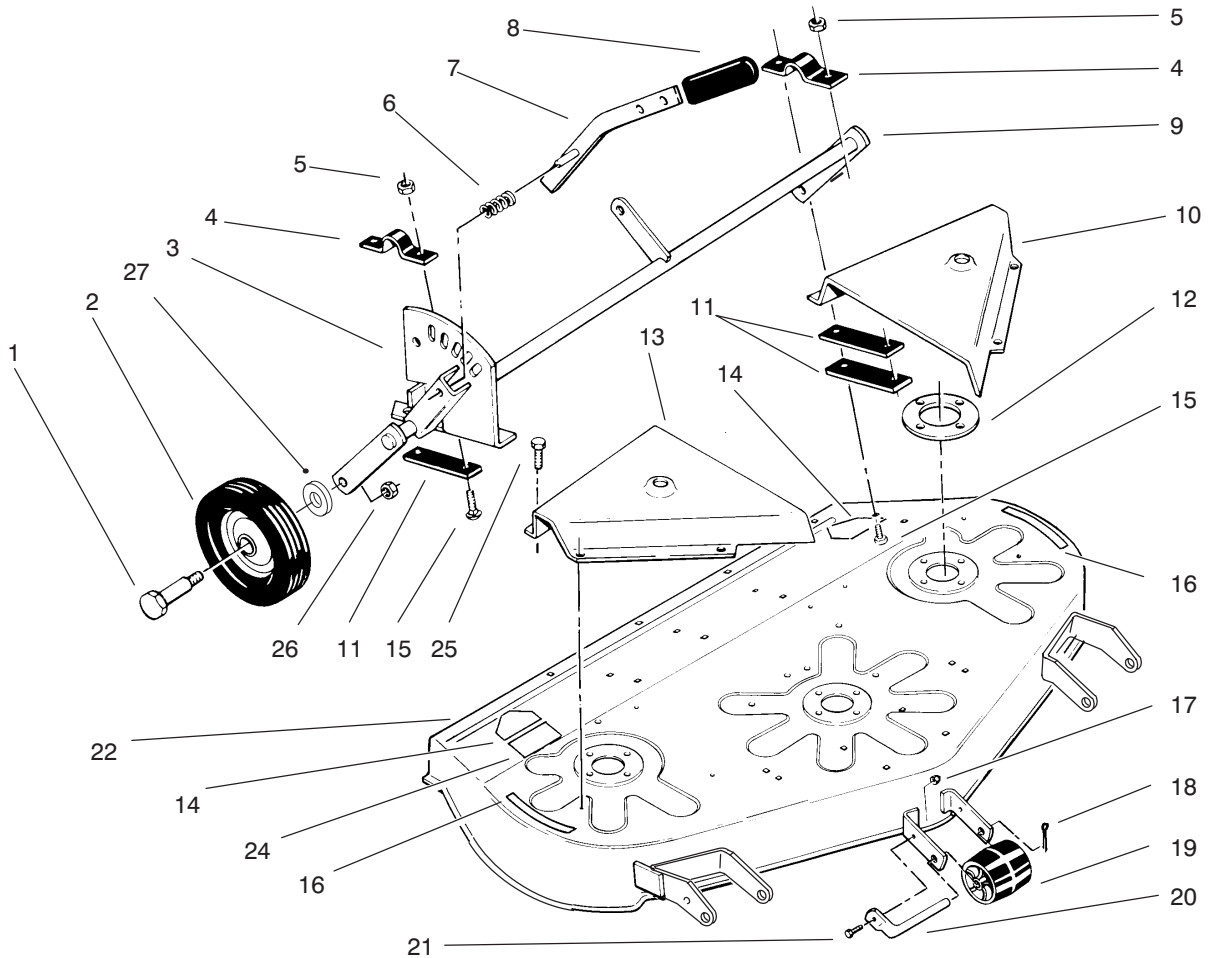




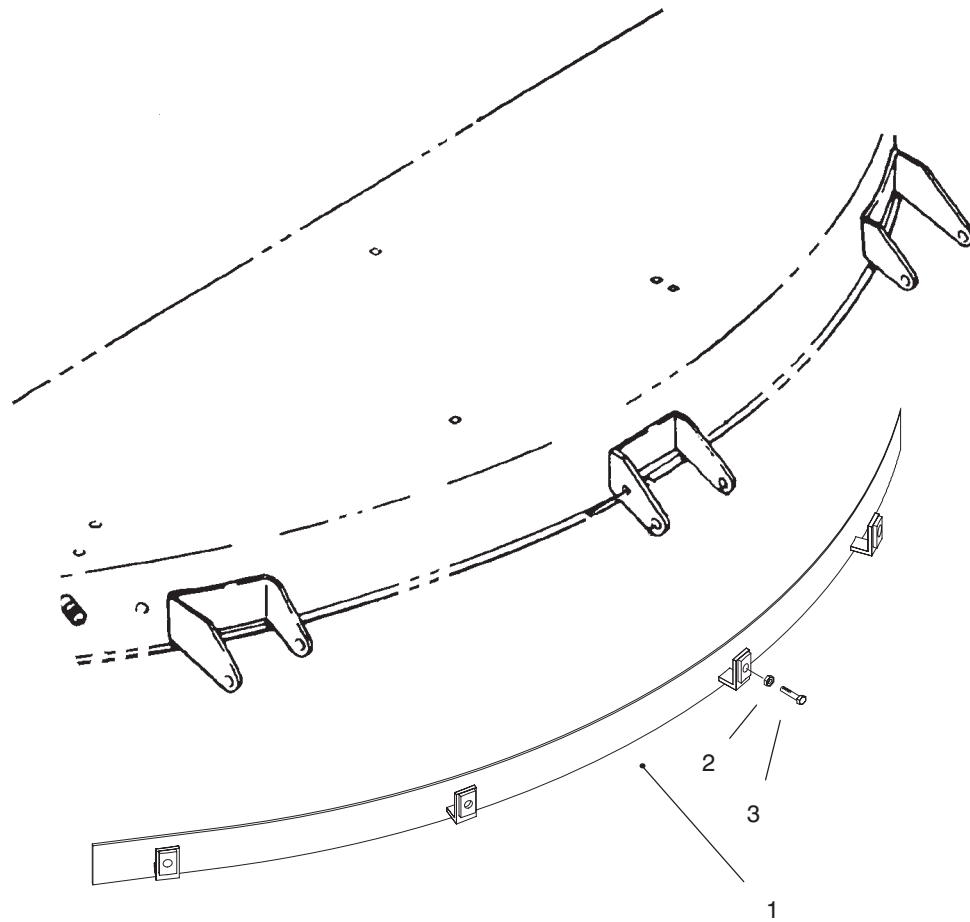
MODEL NO. 78352-6900001 &amp; UP

**PARTS  
CATALOG**
**42" Rear Discharge Low Cut Mower  
WHEEL HORSE GARDEN TRACTOR (EUROPEAN)**


C-0884

**DECK & COVER ASSEMBLY**

Ref. No.	Part No.	Description	No. Used	Ref. No.	Part No.	Description	No. Used
1	5188	Bolt - Shoulder	2	15	3231-25	Bolt - Carriage	4
2	109375	Wheel	2	16	93-7319	Decal - Danger	2
3	106392	Quadrant	1	17	3296-42	Nut - Lock	3
4	110841	Clamp	2	18	3272-21	Pin - Cotter	3
5	3296-39	Nut - Lock	4	19	109376	Roller	3
6	101853	Spring	1	20	110847	Shaft - Roller	3
7	115213	Lever	1	21	321-4	Bolt	3
8	103712	Grip	1	22	94-1837	Deck - Mower (Incl. Ref.# 14 & 16)	1
9	79-5360	Gauge - Wheel Support	1	24	93-7843	Decal - Height of Cut	1
10	106638	Cover - Belt L.H.	1	25	9266714	Bolt	8
11	110840	Strap	3	26	32146-2	Nut - Lock	2
12	106117	Plate - Spindle	3	27	9202424	Spacer	2
13	106409	Cover - Belt R.H.	1				
14	93-7316	Decal - Danger	2				

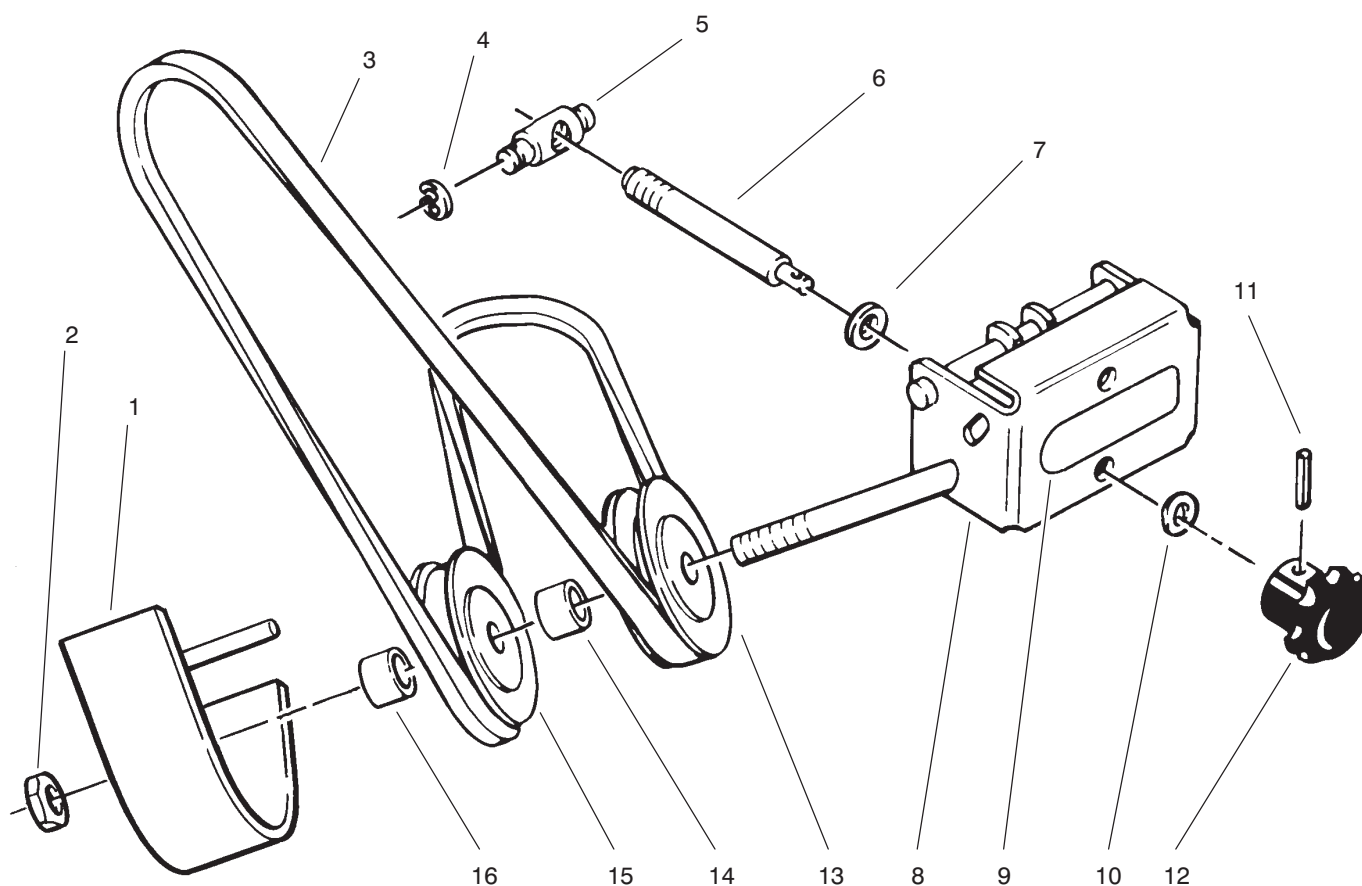


C-2543

## SHIELD ASSEMBLY

Ref. No.	Part No.	Description	No. Used
1	93-9293	Front Shield Assembly	1
2	3218-3	Nut - Hex Jam	4
3	9114454	Screw - Hex Hd.	4

Ref. No.	Part No.	Description	No. Used

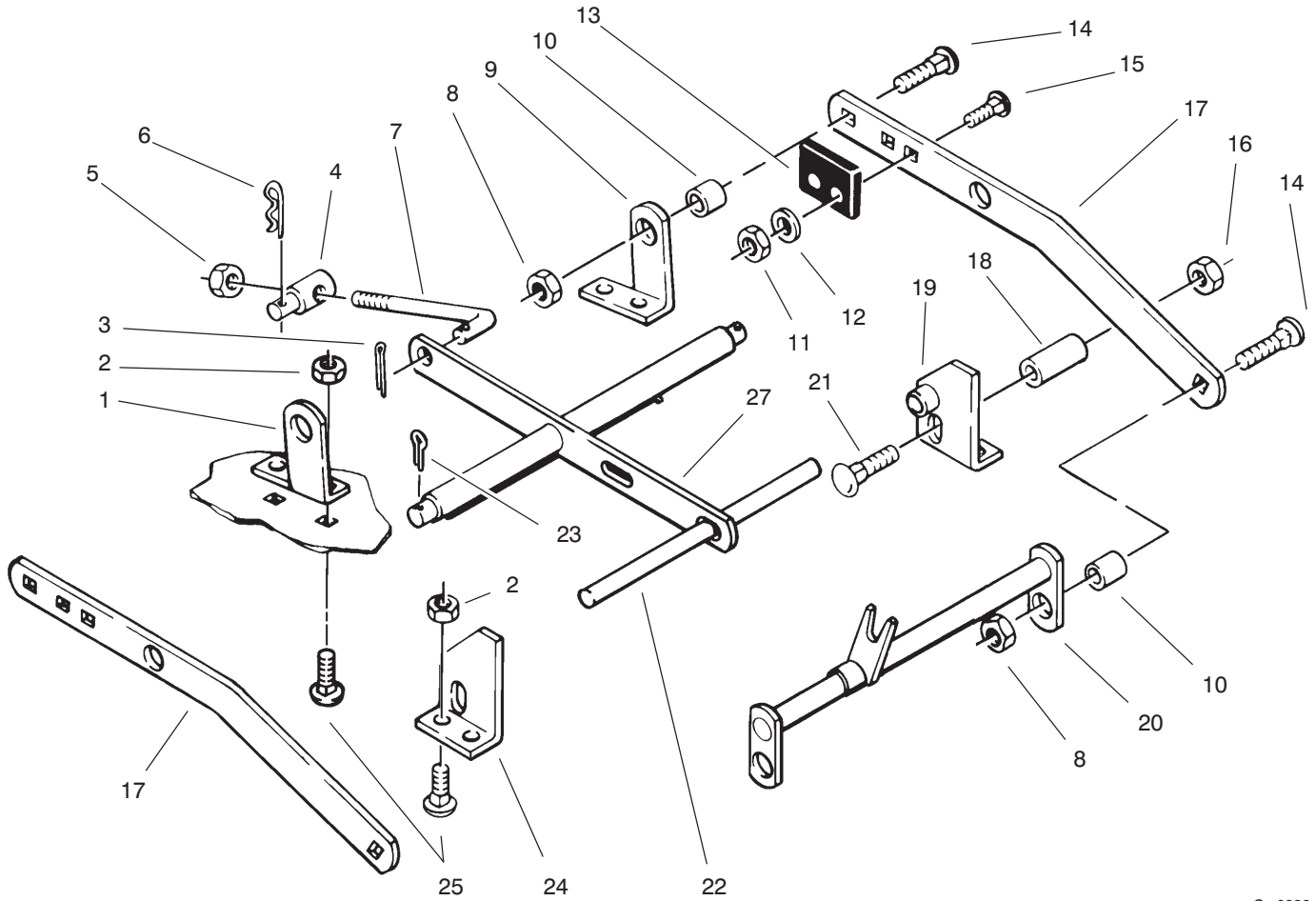


C-0885

## DECK DRIVE BELT ATTACHMENT

Ref. No.	Part No.	Description	No. Used	Ref. No.	Part No.	Description	No. Used
1	102582	Cover – Belt	1	10	108571	Washer – Spring	1
2	9150076	Nut – Lock	1	11	933156	Pin – Spirol	1
3	108834	Drive – Belt	1	12	101851	Knob – Adjustment	1
4	105797	Ring – Retaining	2	13	92-7103	Pulley – Idler	1
5	101708	Trunnion	1	14	101734	Spacer – Inner	1
6	101842	Rod – Adjustment	1	15	104975	Pulley – Idler, Flat	1
7	3256-24	Washer	1	16	101757	Spacer – Outer	1
8	101728	Support – Idler, Front	1	*	101657	Idler Assembly–Front (Incl. Ref. #1, 2, 4-8, 10-16)	1
9	92-8747	Decal – Attach	1				

\*Not Illustrated

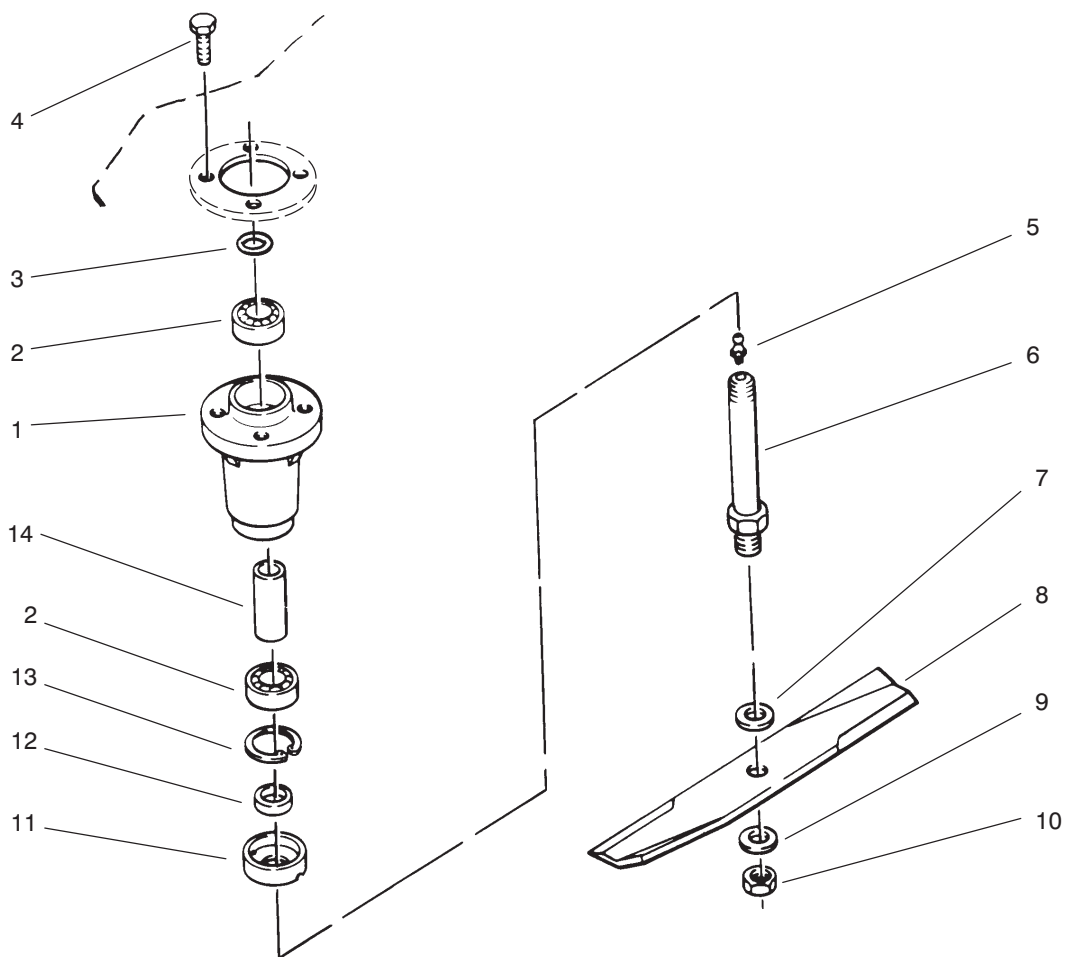


C-0886

## SUSPENSION ASSEMBLY

Ref. No.	Part No.	Description	No. Used
1	107512	Bracket – Right Rear	1
2	3296-39	Nut – Lock	8
3	3272-6	Pin – Cotter	1
4	6739	Trunnion	1
5	3296-39	Nut – Lock	1
6	9335044	Pin – Cotter	1
7	101828	Rod – Leveler	1
8	102809	Nut	4
9	107511	Bracket – Left Rear	1
10	111044	Spacer	4
11	3296-29	Nut – Lock	4
12	3256-3	Washer	4
13	102322	Bumper – Rubber	2

Ref. No.	Part No.	Description	No. Used
14	3231-25	Bolt – Carriage	4
15	3230-3	Bolt – Carriage	4
16	3296-48	Nut	2
17	101777	Bar – Draft	2
18	9793604	Spacer – Transport Stop	2
19	102567	Bracket – Left Front	1
20	101758	Hitch	1
21	3232-3	Bolt – Carriage	2
22	102570	Shaft – Front	1
23	3272-12	Pin – Cotter	2
24	102566	Bracket – Right Front	1
25	3231-2	Bolt – Carriage	8
27	110268	Bar – Leveler	1

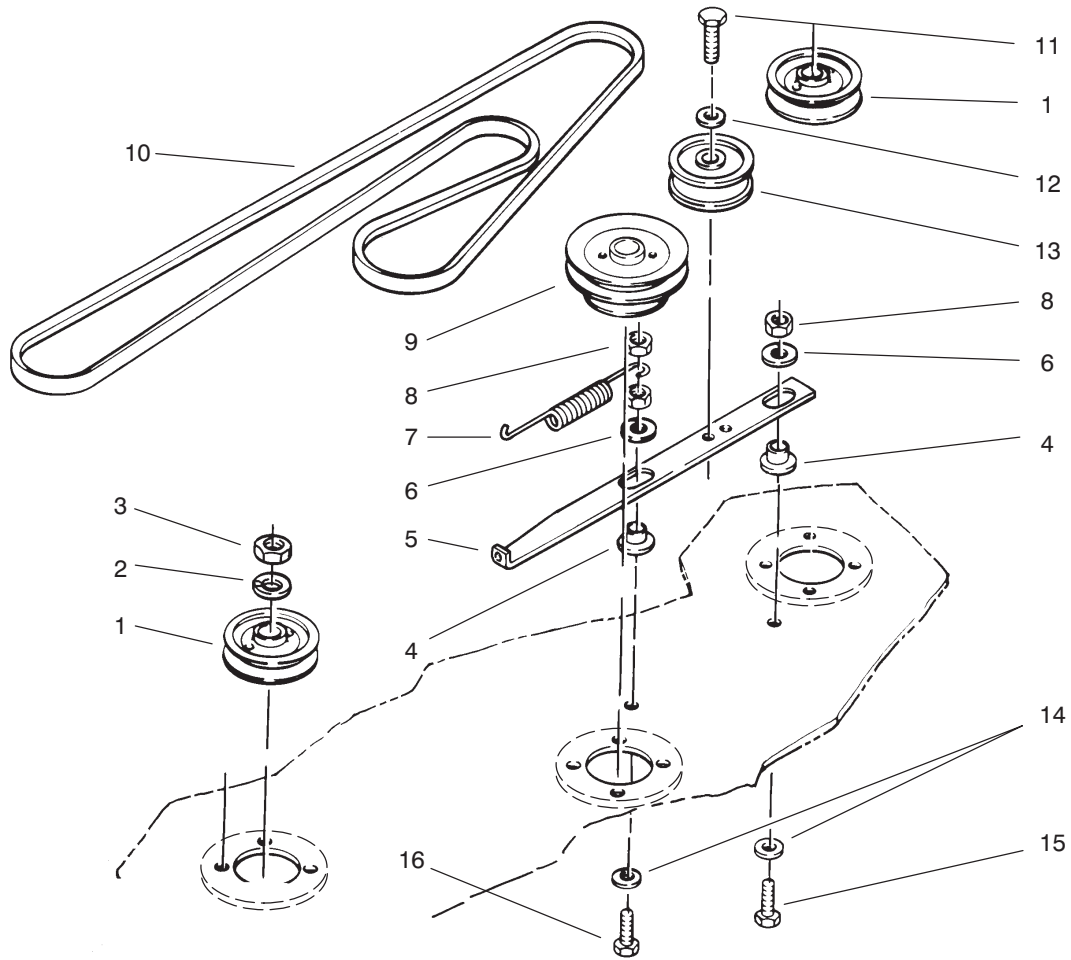


C-0887

## SPINDLE & BLADE ASSEMBLY

Ref. No.	Part No.	Description	No. Used	Ref. No.	Part No.	Description	No. Used
1	114568	Housing – Spindle	3	10	3220-7	Nut – Jam	3
2	109966	Bearing – Ball	6	11	106067	Cup – Spindle	3
3	971015	"O"Ring	3	12	106068	Spacer – Blade	3
4	9080326	Bolt	12	13	32120-42	Ring – Retaining Int.	3
5	302-5	Fitting – Grease	3	14	116085	Spacer	3
6	112674	Shaft – Spindle	3	*	110172	Spindle Assembly (Incl. Ref. #1-3, 5, 6 & 11-14)	3
7	9202574	Washer – Special	3				
8	106635	Blade (Set of 3)	1				
9	3256-28	Washer	3				

\*Not Illustrated



C-0888

## DECK BELT & PULLEYS

Ref. No.	Part No.	Description	No. Used
1	109967	Pulley - Outer	2
2	3253-8	Washer - Lock	3
3	3220-6	Nut - Jam	3
4	107674	Bushing - Spacer	2
5	106120	Bar - Idler Support	1
6	107675	Washer - Special	2
7	100071	Spring	1
8	3296-39	Nut - Lock	3

Ref. No.	Part No.	Description	No. Used
9	110148	Pulley - Center	1
10	106125	"V" Belt	1
11	323-7	Bolt	1
12	3253-21	Washer - Lock	1
13	92-7101	Pulley - Idler, Flat	1
14	2844	Washer - Special	2
15	323-7	Bolt	1
16	323-9	Bolt	1

# TORO PART NUMBER INDEX

3318-554

Part No.	Description	Pg. No.	Ref. No.	Qty.	Part No.	Description	Pg. No.	Ref. No.	Qty.
2844	Washer – Special	6	14	2	115213	Lever	1	7	1
5188	Bolt – Shoulder	1	1	2	116085	Spacer	5	14	3
6739	Trunnion	4	4	1	933156	Pin – Spirol	3	11	1
100071	Spring	6	7	1	971015	ORing	5	3	3
101657	Idler Assembly–Front	3	*	1	9080326	Bolt	5	4	12
101708	Trunnion	3	5	1	9114454	Screw – Hex Hd.	2	3	4
101728	Support – Idler, Front	3	8	1	9150076	Nut – Lock	3	2	1
101734	Spacer – Inner	3	14	1	9202424	Spacer	1	27	2
101757	Spacer – Outer	3	16	1	9202574	Washer – Special	5	7	3
101758	Hitch	4	20	1	9266714	Bolt	1	25	8
101777	Bar – Draft	4	17	2	9335044	Pin – Cotter	4	6	1
101828	Rod – Leveler	4	7	1	9793604	Spacer – Transport Stop	4	18	2
101842	Rod – Adjustment	3	6	1	79-5360	Gauge – Wheel Support	1	9	1
101851	Knob – Adjustment	3	12	1	92-7101	Pulley – Idler, Flat	6	13	1
101853	Spring	1	6	1	92-7103	Pulley – Idler	3	13	1
102322	Bumper – Rubber	4	13	2	92-8747	Decal – Attach	3	9	1
102566	Bracket – Right Front	4	24	1	93-7316	Decal – Danger	1	14	2
102567	Bracket – Left Front	4	19	1	93-7319	Decal – Danger	1	16	2
102570	Shaft – Front	4	22	1	93-7843	Decal – Height of Cut	1	24	1
102582	Cover – Belt	3	1	1	93-9293	Front Shield Assembly	2	1	1
102809	Nut	4	8	4	94-1837	Deck – Mower	1	22	1
103712	Grip	1	8	1	302-5	Fitting – Grease	5	5	3
104975	Pulley – Idler, Flat	3	15	1	321-4	Bolt	1	21	3
105797	Ring – Retaining	3	4	2	323-7	Bolt	6	11	1
106067	Cup – Spindle	5	11	3	323-7	Bolt	6	15	1
106068	Spacer – Blade	5	12	3	323-9	Bolt	6	16	1
106117	Plate – Spindle	1	12	3	3218-3	Nut – Hex Jam	2	2	4
106120	Bar – Idler Support	6	5	1	3220-6	Nut – Jam	6	3	3
106125	VBelt	6	10	1	3220-7	Nut – Jam	5	10	3
106392	Quadrant	1	3	1	3230-3	Bolt – Carriage	4	15	4
106409	Cover – Belt R.H.	1	13	1	3231-2	Bolt – Carriage	4	25	8
106635	Blade (Set of 3)	5	8	1	3231-25	Bolt – Carriage	4	14	4
106638	Cover – Belt L.H.	1	10	1	3231-25	Bolt – Carriage	1	15	4
107511	Bracket – Left Rear	4	9	1	3232-3	Bolt – Carriage	4	21	2
107512	Bracket – Right Rear	4	1	1	3253-8	Washer – Lock	6	2	3
107674	Bushing – Spacer	6	4	2	3253-21	Washer – Lock	6	12	1
107675	Washer – Special	6	6	2	3256-3	Washer	4	12	4
108571	Washer – Spring	3	10	1	3256-24	Washer	3	7	1
108834	Drive – Belt	3	3	1	3256-28	Washer	5	9	3
109375	Wheel	1	2	2	3272-6	Pin – Cotter	4	3	1
109376	Roller	1	19	3	3272-12	Pin – Cotter	4	23	2
109966	Bearing – Ball	5	2	6	3272-21	Pin – Cotter	1	18	3
109967	Pulley – Outer	6	1	2	3296-29	Nut – Lock	4	11	4
110148	Pulley – Center	6	9	1	3296-39	Nut – Lock	4	2	8
110172	Spindle Assembly	5	*	3	3296-39	Nut – Lock	1	5	4
110268	Bar – Leveler	4	27	1	3296-39	Nut – Lock	4	5	1
110840	Strap	1	11	3	3296-39	Nut – Lock	6	8	3
110841	Clamp	1	4	2	3296-42	Nut – Lock	1	17	3
110847	Shaft – Roller	1	20	3	3296-48	Nut	4	16	2
111044	Spacer	4	10	4	32120-42	Ring – Retaining Int.	5	13	3
112674	Shaft – Spindle	5	6	3	32146-2	Nut – Lock	1	26	2
114568	Housing – Spindle	5	1	3					

\*Not Illustrated

## PRODUCT CHANGES

In an effort to make improvements available to TORO owners as quickly as possible, minor changes are incorporated into Toro's products from time to time that do not become immediately shown in the Parts Catalog. If such a change has been made in your unit, which is not reflected in your manual, see your TORO Distributor or his Authorized TORO Service Dealer for information and part numbers.

## COUNTRIES OTHER THAN THE UNITED STATES OR CANADA

Customers who have purchased TORO products exported from the United States or Canada should contact their Toro Distributor (Dealer) to obtain guarantee policies for your country, province or state. If for any reason you are dissatisfied with your Distributor's

service or have difficulty obtaining guarantee information, contact the TORO importer. If all other remedies fail, you may contact us at The Toro Company.

## MAINTENANCE RECORD

Date								

Compliance with Radio Interference Regulations Certified.  
 Certifie Conforme au Reglement sur le Brouillage Radioelectrique.