



**38" Side Discharge Cutting Unit**  
**Lawn & Garden Tractor**  
Model No. 78218-21000001 and Up

**Parts Catalog**

**Ordering Replacement Parts**

To order replacement parts, please supply: the part number, the quantity, and the description of each part desired.

**Understanding Reference Numbers**

Each identified part in an illustration has a reference number. The reference number for a part also appears in the parts list, along with other information about the part.

This catalog uses two special reference number formats, one to indicate parts in a service assembly and another to indicate the quantity of a given part in an illustration.

**Service Assembly Reference Numbers**

Parts in service assemblies have reference numbers in the form **a:b**. The **a** represents the reference number of the entire service assembly and the **b** represents a sequential number unique to each part within the service assembly.

For example, a wheel assembly might be identified by reference number **6**, the tire by **6:1**, the valve by **6:2**, and the wheel by **6:3**. When you order the assembly identified by reference number **6**, you receive all parts identified by reference numbers **6:1**, **6:2**, and **6:3**. However, you may also order any part individually.

Reference numbers of this type appear in illustrations and in part lists.

**Reference Numbers Indicating Quantity**

In an illustration, if a reference number indicates more than one part, the reference number has the form **nX y**. The **n** represents the quantity of the part, the **X** is the multiplication symbol, and the **y** represents the reference number.

For example, in an illustration, the reference number **2X 37** means that two of the parts identified by reference number **37** are indicated.

## Contents

Description	Page	Description	Page
Blade, Spindle And Pulley Assembly .....	3	Covers Assembly .....	5
Cutting Unit Assembly .....	4	Maintenance .....	6-7

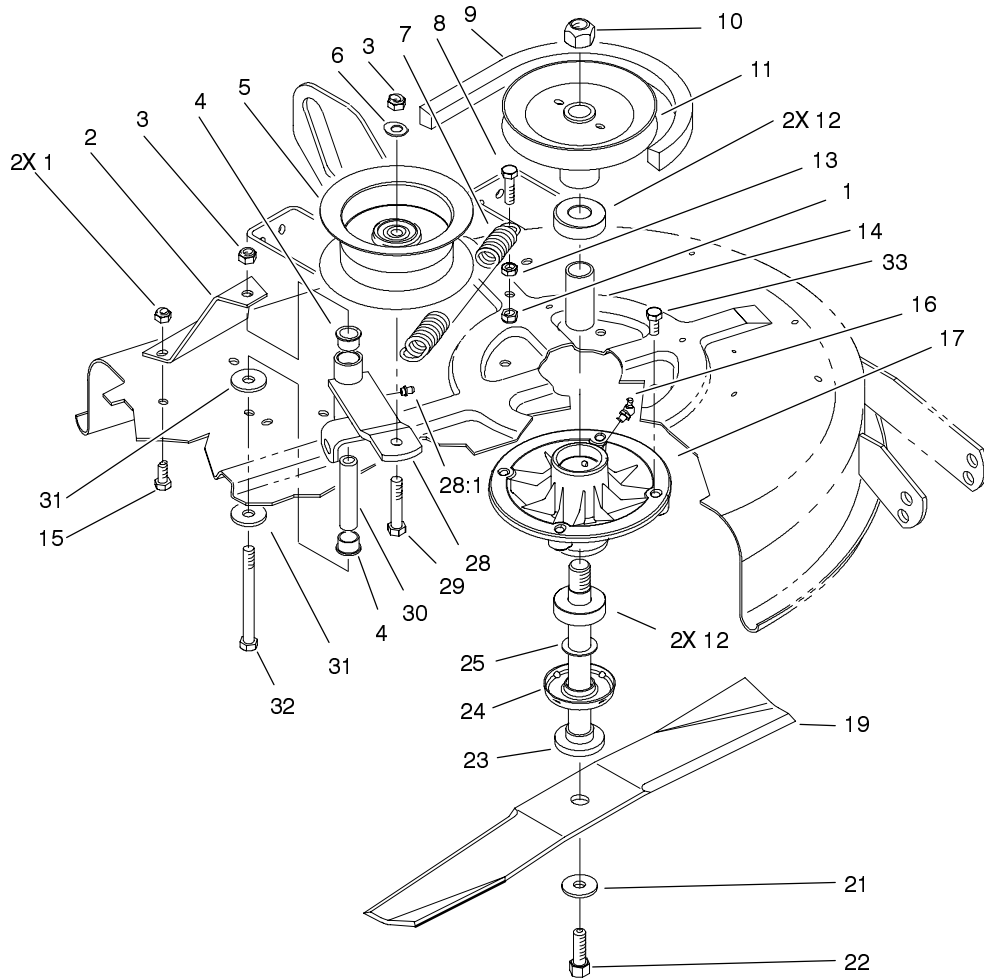
## Accessories

Description	Model / Part No.	Description	Model / Part No.
-------------	------------------	-------------	------------------

## Part Description Abbreviations

Part descriptions in this catalog may include the following abbreviations.

Abbreviation	Meaning	Abbreviation	Meaning
AR .....	as required	HYD .....	hydraulic
ASM .....	assembly	INC .....	incorporated
CARR .....	carriage	LH .....	left hand
DEG .....	degrees	NI .....	nylon insert
FH .....	flat head	PPH .....	Phillips pan head
GA .....	gauge	PTH .....	Phillips truss head
HF .....	hex flange	PTO .....	power take off
HH .....	hex head	RH .....	right hand
HHF .....	hex head flange	SFH .....	slotted fillister head
HLH .....	hex lag head	SHH .....	slotted hex head
HJ .....	hex jam	SQH .....	square head
HOC .....	height-of-cut	SHWH .....	slotted hex washer head
HS .....	hex socket	SPH .....	slotted pan head
HSBH .....	hex socket button head	SRH .....	slotted round head
HSFH .....	hex socket flat head	STD .....	standard
HSH .....	hex socket head	TAP .....	self tapping
HWH .....	hex washer head	TTH .....	Torx truss head
HWHTF .....	hex washer head thread forming	WH .....	wing head

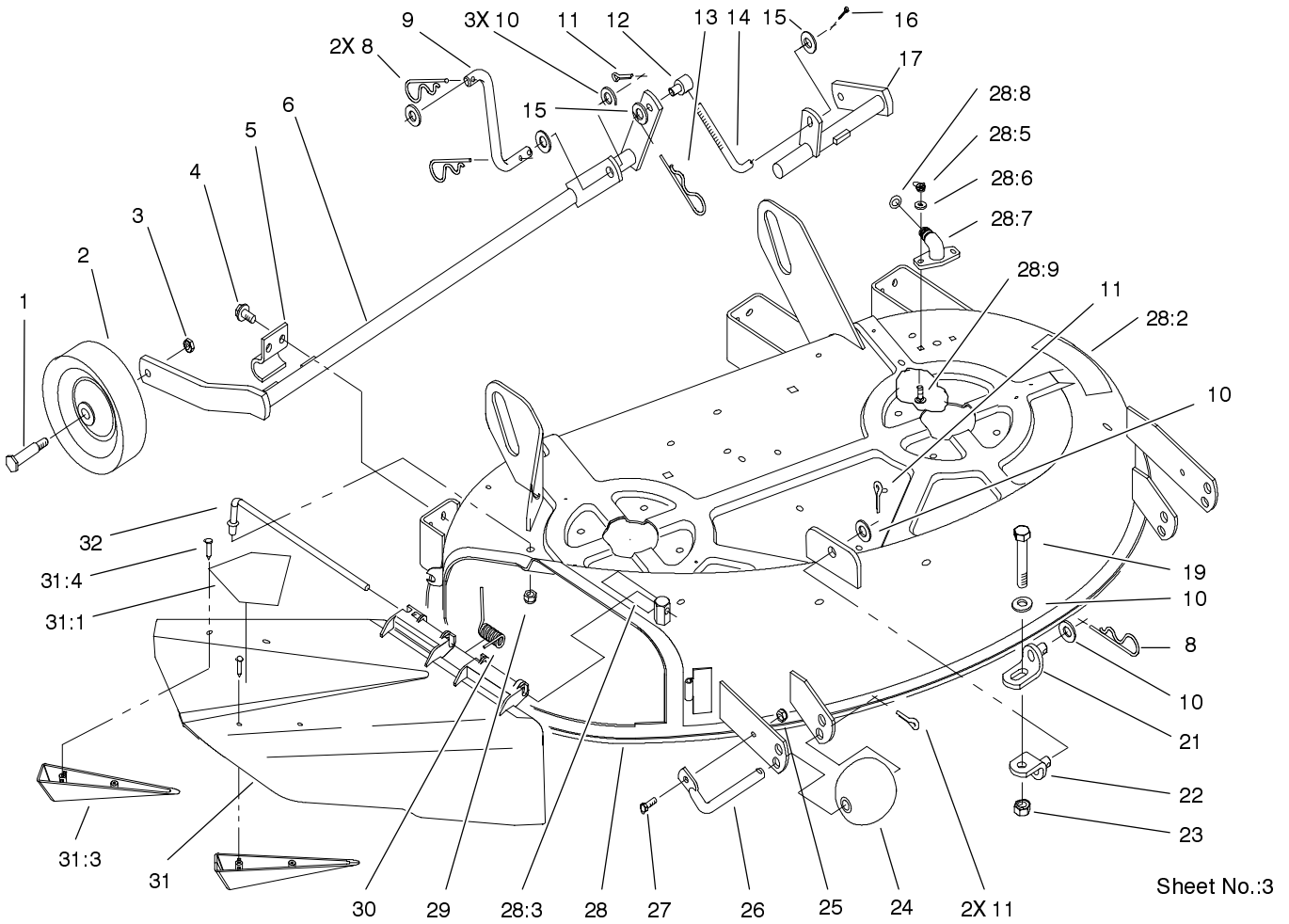


Sheet No.:2

## Blade, Spindle And Pulley Assembly

Ref. No.	Part No.	Qty.	Description
1	3296-29	3	Nut-Lock
2	78-8091-03	1	Brace
3	3296-39	2	Nut-Lock, NI
4	109859	2	Bushing
5	92-7082	1	Pulley - Idler
6	3256-24	1	Washer-Flat
7	78-6210	1	Spring-Extension
8	322-6	1	Screw-HH
9	92-7066	1	V-Belt
10	3219-6	2	Nut-Hex
11	100-3546	2	Pulley
12	109966	4	Bearing-Ball
13	3217-6	1	Nut-Hex
14	62-3661	2	Spacer-Bearing
15	322-3	2	Screw-HH
16	302-11	2	Fitting-Lube, 45 DEG
17	100-3547	2	Housing-Spindle
19	57-4700	2	Blade
21	112843	2	Washer
22	26-0671	2	Screw-Blade
23	100-3548	2	Shaft-Spindle
24	80-4360	2	Shield-Bearing
25	80-4380	2	Spacer
28	94-9795	1	Arm-Idler
28:1	302-5	1	Fitting-Grease
29	323-10	1	Screw-HH

Ref. No.	Part No.	Qty.	Description
30	109950	1	Spacer
31	2844	2	Washer
32	323-16	1	Screw-HH
33	32144-41	8	Screw-Taptite

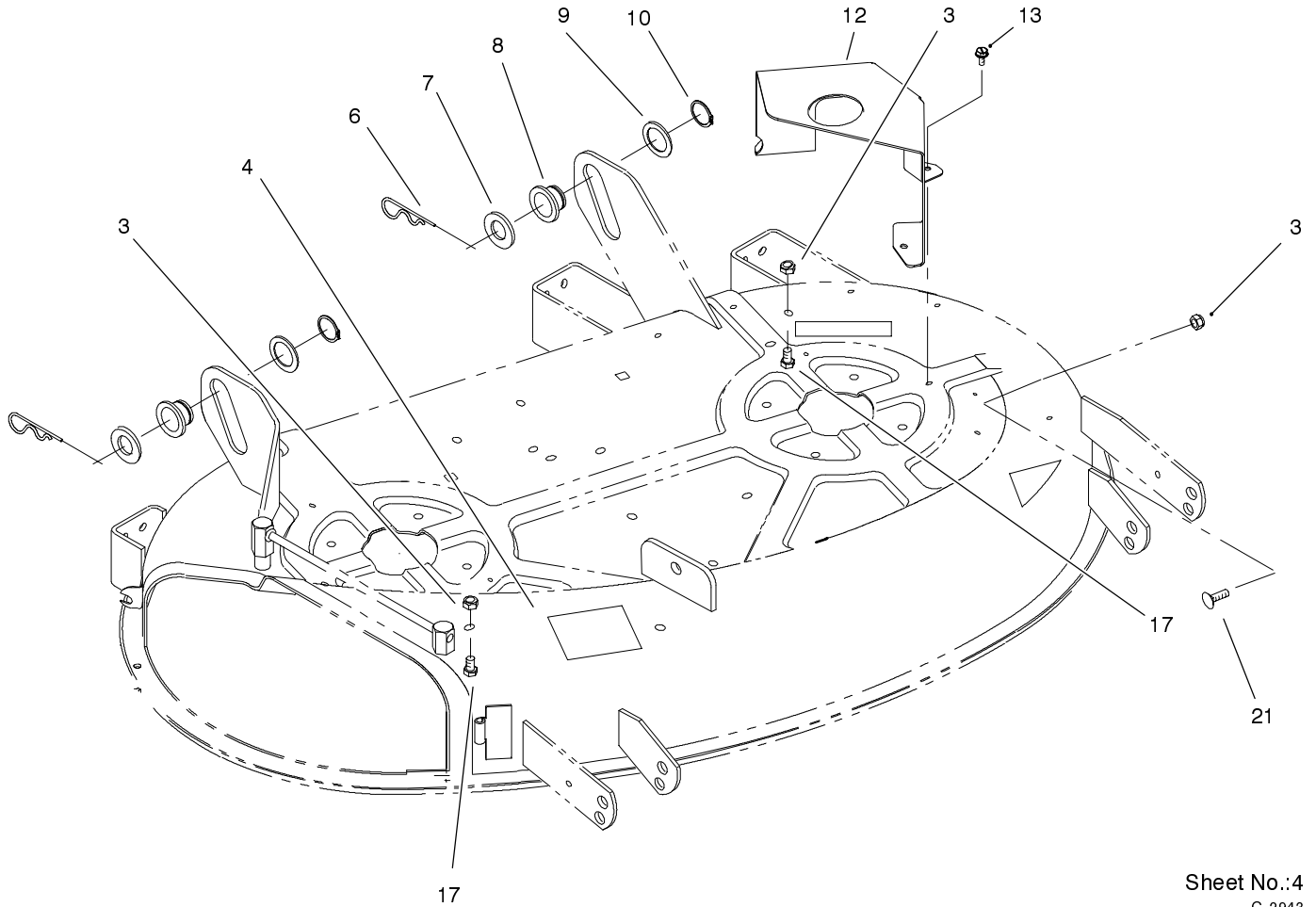


Sheet No.:3

## Cutting Unit Assembly

Ref. No.	Part No.	Qty.	Description
1	92-1057	2	Bolt-Shoulder
2	92-6959	2	Wheel
3	32146-2	2	Nut-Lock, NI
4	9267154	6	Screw
5	78-6400-03	3	Clamp
6	78-8011-03	1	Shaft - RH
8	9335064	3	Pin-Hair
9	78-8071	1	Link-Rear
10	3256-26	6	Washer-Flat
11	3272-21	4	Pin-Cotter
12	101161	1	Trunion
13	9335044	1	Pin-Hair
14	121010	1	Rod-Lift
15	3256-24	2	Washer-Flat
16	3272-6	1	Pin-Cotter
17	92-7073-03	1	Shaft - LH
19	325-13	1	Screw-HH
21	86-9240	1	Bracket-Lift, Lower
22	86-9250	1	Bracket-Lift, Upper
23	3218-5	1	Nut-Jam
24	29-4820	2	Roller
25	3296-42	2	Nut-Lock NI
26	118960-03	2	Shaft-Roller
27	321-4	2	Screw-HH
28	94-1579	1	Deck ASM
28:2	93-7009	1	Decal-Danger

Ref. No.	Part No.	Qty.	Description
28:3	93-7319	1	Decal - Danger
28:5	3296-16	2	Nut-Lock, NI
28:6	3256-1	2	Washer-Flat
28:7	95-2747	1	Fitting-Washout
28:8	46-6290	1	O-Ring
28:9	3229-1	2	Screw-CARR
29	3296-39	1	Nut-Lock, NI
30	57-6950	1	Spring
31	93-7695	1	Deflector ASM
31:1	93-7010	1	Decal - Danger
31:3	93-7696	2	Kicker
31:4	93-0231	4	Screw - PPH
32	95-1661	1	Rod - Pivot



Sheet No.:4  
C-2943

### Covers Assembly

Ref. No.	Part No.	Qty.	Description
3	3296-29	3	Nut-Lock
4	93-6679	1	Decal-Belt Routing
6	9335074	2	Pin-Hair
7	3256-28	2	Washer-Flat
8	78-7340	2	Roller-Lift
9	9202394	2	Washer
10	32151-29	2	Ring-Snap, External
12	78-6840-03	2	Cover-Belt
13	32104-76	6	Screw
17	322-1	2	Screw-HH
21	3230-18	1	Screw-CARR

Ref. No.	Part No.	Qty.	Description





