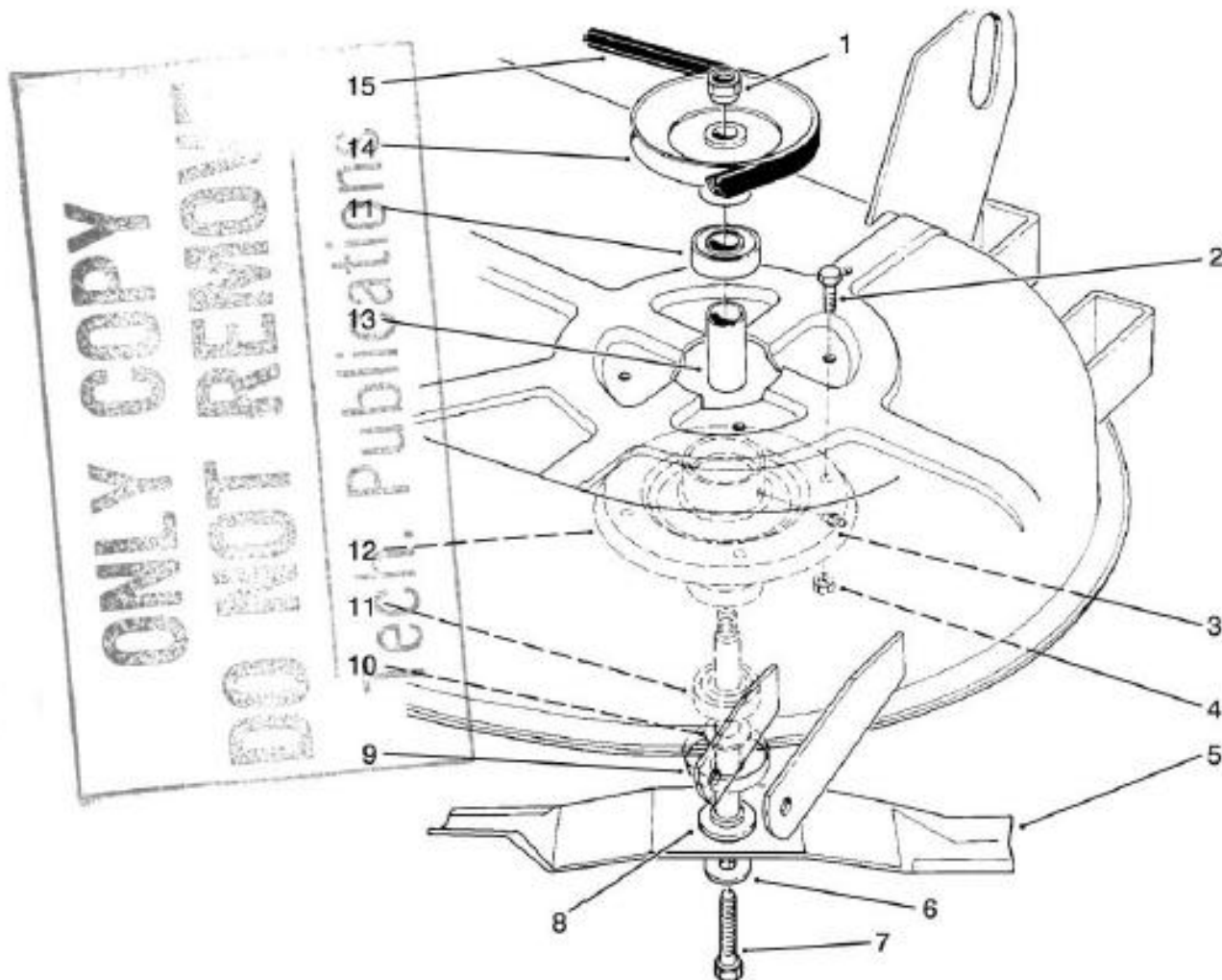




MODEL NO. 78216-4900001 & UP

PARTS
CATALOG

38" Side Discharge Rotary Cutting Unit WHEEL HORSE® YARD/GARDEN TRACTOR

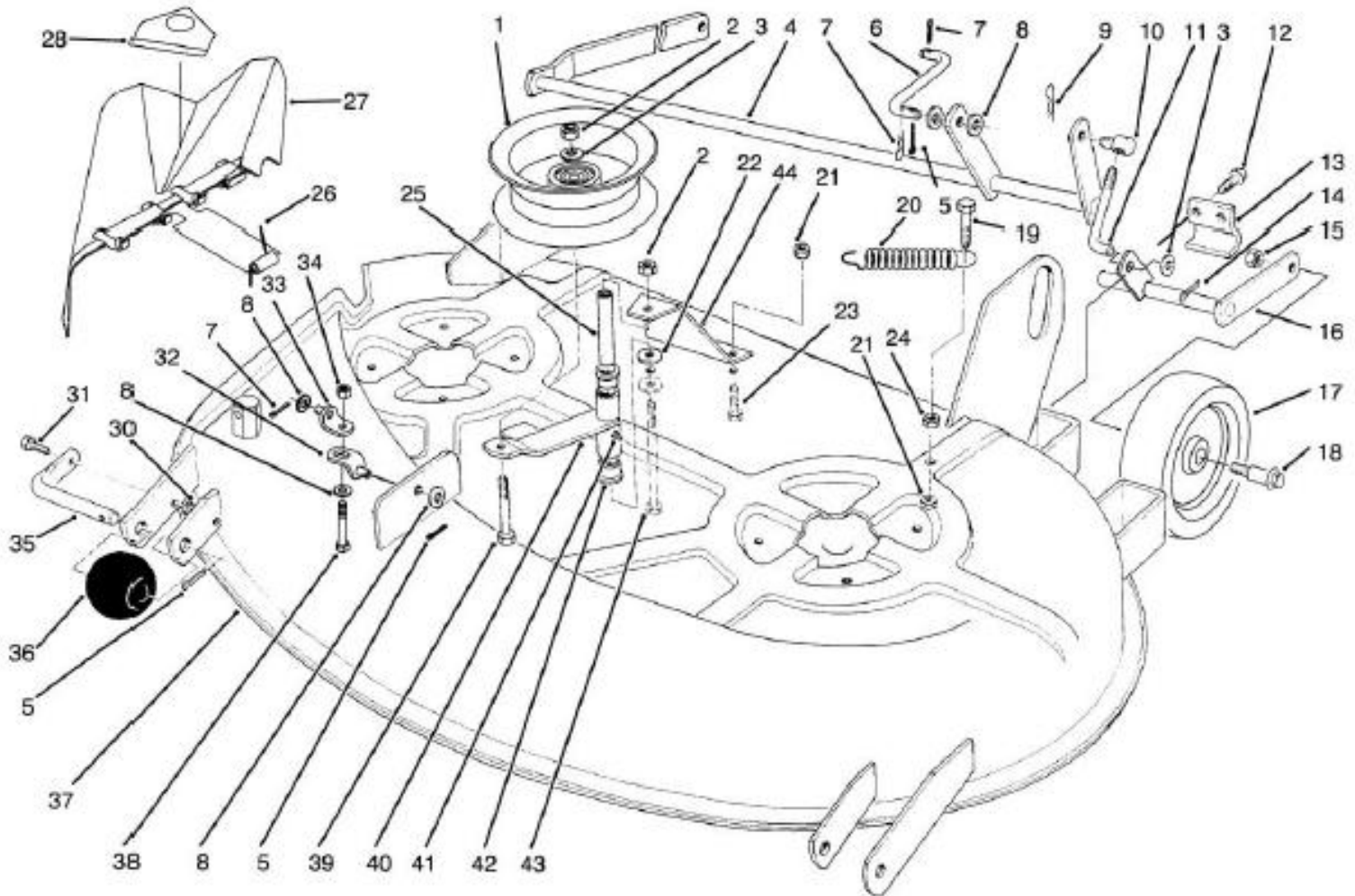


C-1633

BLADE & SPINDLE ASSEMBLY

Ref. No.	Part No.	Description	No. Used	Ref. No.	Part No.	Description	No. Used
1	915007	Nut - Hex	2	9	80-4370	Shield - Bearing	2
2	322-3	Screw - Cap Hex. Hd.	8	10	80-4390	Washer - Hardened	2
3	302-16	Fitting - Grease	2	11	79-1090	Bearing - Ball	4
4	3296-29	Nut - Lock	8	12	79-1050-03	Housing - Spindle	2
5	57-4700	Blade	2	13	79-2780	Spacer	2
6	112843	Washer - Blade	2	14	92-7081	Pulley - Spindle	2
7	26-0671	Bolt - Blade	2	15	79-5980	V-Belt	1
8	80-4351	Shaft - Spindle	2				

38" Recycling Kit, part number: 14-7799

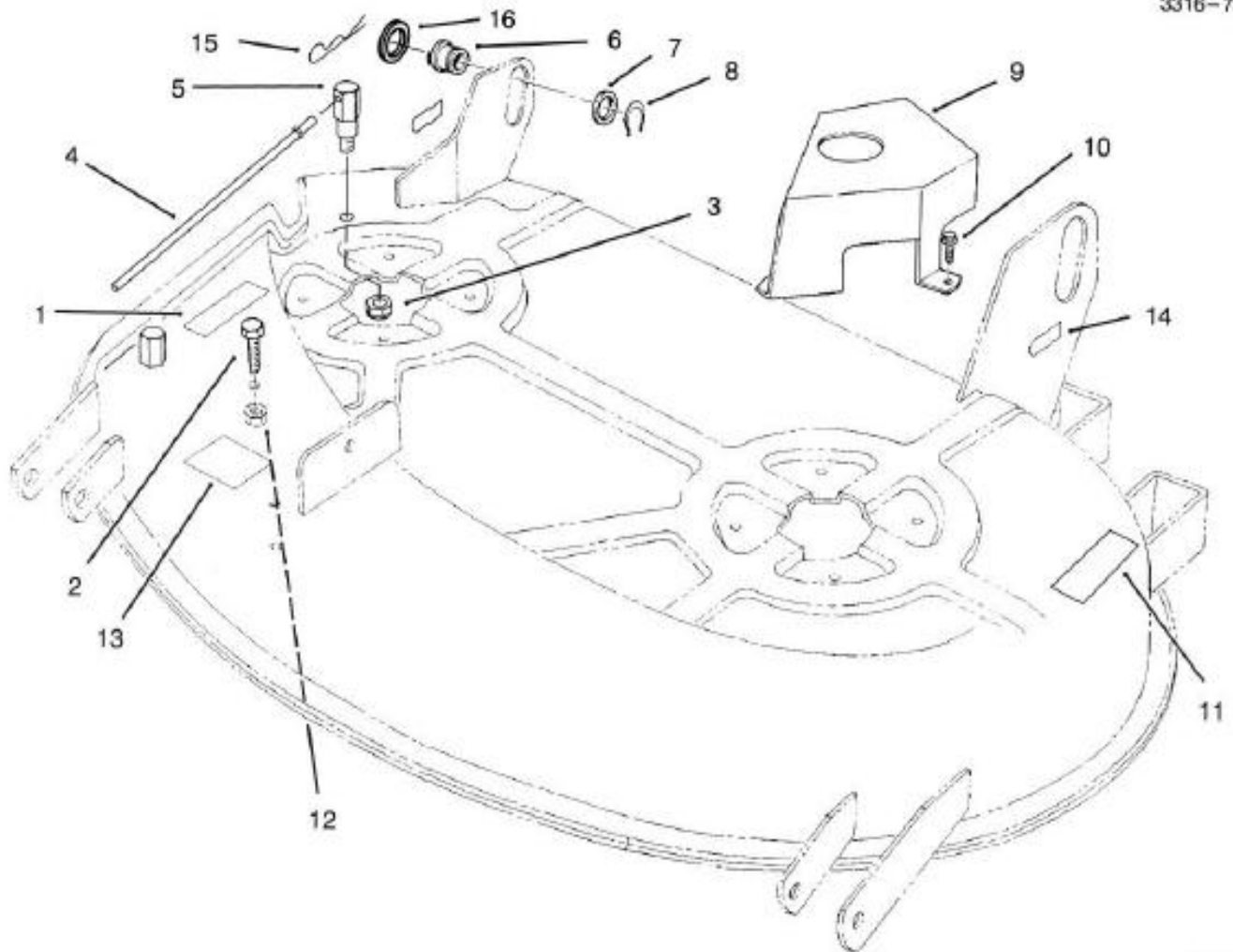


C-1632A

CUTTING UNIT ASSEMBLY

Ref. No.	Part No.	Description	No. Used
1	92-7062	Pulley - Idler	1
2	3296-39	Nut - Lock	2
3	3256-24	Washer - Flat	2
4	78-8011-03	Shaft - R.H.	1
5	3272-21	Pin - Cotter	4
6	78-8071	Link - Rear	1
7	933506	Pin - Cotter	3
8	3256-26	Washer - Flat	5
9	933504	Cotter - Hairpin	1
10	110656	Trunnion	1
11	121010	Rod - Lift	1
12	926715	Screw - Self Tapping	6
13	78-6400-03	Clamp	3
14	3272-6	Pin - Cotter	1
15	32146-2	Nut - Hex	2
16	92-7073-03	Shaft - L.H.	1
17	110506	Wheel	2
18	5188	Bolt - Shoulder	2
19	322-6	Screw - Cap Hex. Hd.	1
20	78-6210	Spring - Extension	1
21	3296-29	Nut - Lock	3
22	2844	Washer - Flat	2

Ref. No.	Part No.	Description	No. Used
23	322-3	Screw - Cap Hex. Hd.	2
24	3217-6	Nut - Hex	1
25	109950	Spacer	1
26	57-6950	Spring - Deflector	1
27	93-0317	Chute/Safety Decal Assy.	1
28	93-1122	Decal - Danger	1
30	3296-42	Nut - Lock	2
31	321-4	Screw - Cap Hex. Hd.	2
32	86-9240	Bracket - Lower Lift	1
33	86-9250	Bracket - Upper Lift	1
34	3218-5	Nut - Hex Jam	1
35	118960	Shaft - Roller	2
36	29-4820	Roller	2
37	92-6834-01	Deck/Safety Decal Assy. (Incl. Ref.#1 & 11 pg.3)	1
38	325-13	Screw - Cap Hex. Hd.	1
39	323-10	Screw - Cap Hex. Hd.	1
40	78-3370-03	Arm - Idler	1
41	302-26	Fitting - Grease	1
42	109859	Bushing	2
43	323-16	Screw - Cap Hex. Hd.	1
44	78-8091-03	Brace	1



C-0896A

COVER ASSEMBLY

Ref. No.	Part No.	Description	No. Used
1	92-7109	Decal - Danger	1
2	322-1	Screw - Cap Hex. Hd.	2
3	3296-39	Nut - Lock	1
4	57-4380	Rod - Hinge	1
5	92-7063	Post - Pivot	1
6	78-7340	Roller - Lift	2
7	920239	Washer - Flat	2
8	32151-29	Ring - Retaining Ext.	2

Ref. No.	Part No.	Description	No. Used
9	78-6840-03	Cover - Belt	2
10	32104-76	Screw - Pan Hd.	6
11	92-7108	Decal - Danger	1
12	3296-29	Nut - Lock	2
13	117137	Decal - Belt Guide	1
14	93-0322	Decal, Attach-A-Matic	1
15	933507	Pin - Hair Cotter	2
16	3256-28	Washer - Flat	2