



Count on it.

Parts Catalog

38in Twin Bagger

XL Series™ Lawn Tractors

Model No. 79103—Serial No. 31000001 and Up

Ordering Replacement Parts

To order replacement parts, please supply the part number, the quantity, and the description of each part desired.

Understanding Reference Numbers

Each identified part in an illustration has a reference number. The reference number for a part also appears in the parts list, along with other information about the part.

This catalog uses two special reference number formats, one to indicate parts in a service assembly and another to indicate the quantity of a given part in an illustration.

Service Assembly Reference Numbers

Parts in service assemblies have reference numbers in the form a:b. The a represents the reference number of the entire service assembly and the b represents a sequential number unique to each part within the service assembly.

For example, a wheel assembly might be identified by reference number 6, the tire by 6:1, the valve by 6:2, and the wheel by 6:3. When you order the assembly identified by reference number 6, you receive all parts identified by reference numbers 6:1, 6:2, and 6:3. However, you may also order any part individually. Reference numbers of this type appear in illustration and in parts lists.

Reference Numbers Indicating Quantity

In an illustration, if a reference number indicates more than one part, the reference number has the form nX y. The n represents the quantity of the part, the X is the multiplication symbol, and the y represents the reference number.

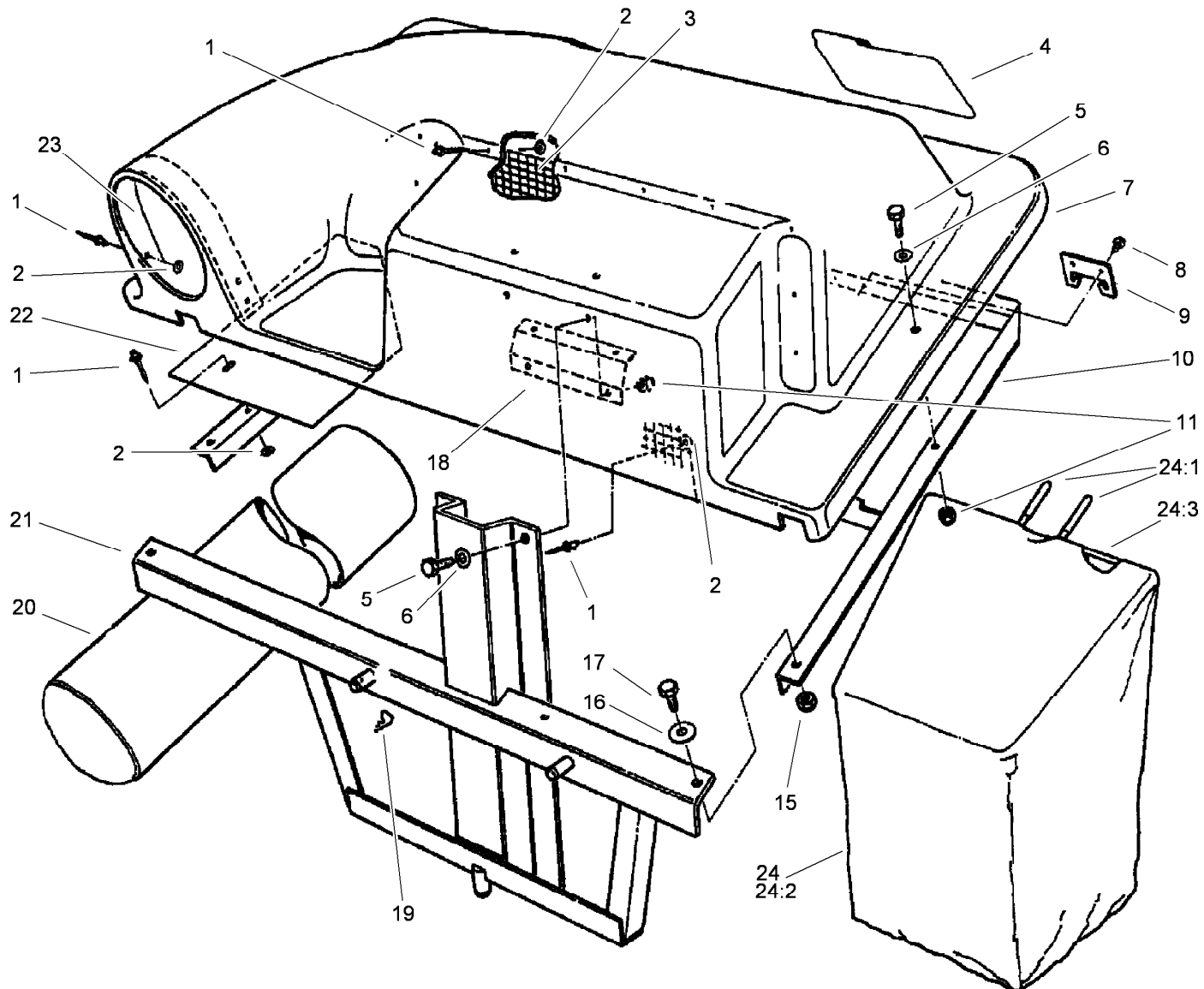
For example, in an illustration, the reference number 2X 37 means that two of the parts identified by reference number 37 are indicated.

List of Abbreviations

AR: as required	HSBH: hex socket button head	SFH: slotted fillister head
ASM: assembly	HSFH: hex socket flat head	SHH: slotted hex head
BBC: blade brake clutch	HSH: hex socket head	SHWH: slotted hex washer head
CARR: carriage	HWH: hex washer head	SPH: slotted pan head
CCW: counter clock wise	HWTF: hex washer head thread forming	SQH: square head
CW: clockwise	HYD: hydraulic	SRH: slotted round head
DEG: degrees	LH: left hand	STD: standard
ECM: electronic control module	NI: nylon insert	TAP: self tapping
EXT: external	NPTF: national pipe thread fine	TTH: torx truss head
FH: flat head	PFH: phillips flat head	
GA: gauge	PPH: phillips pan head	
HD: heavy-duty	PPHTF: phillips pan head thread forming	
HF: hex flange	PRH: phillips round head	
HH: hex head	PTH: phillips truss head	
HHF: hex head flange	PTO: power-take-off	
HHFTF: hex head flange thread forming	RH: right hand	
HJ: hex jam	ROPS: roll-over protection system	
HLH: hex lag head	RRB: rear roller brush	
HOC: height-of-cut		

Contents

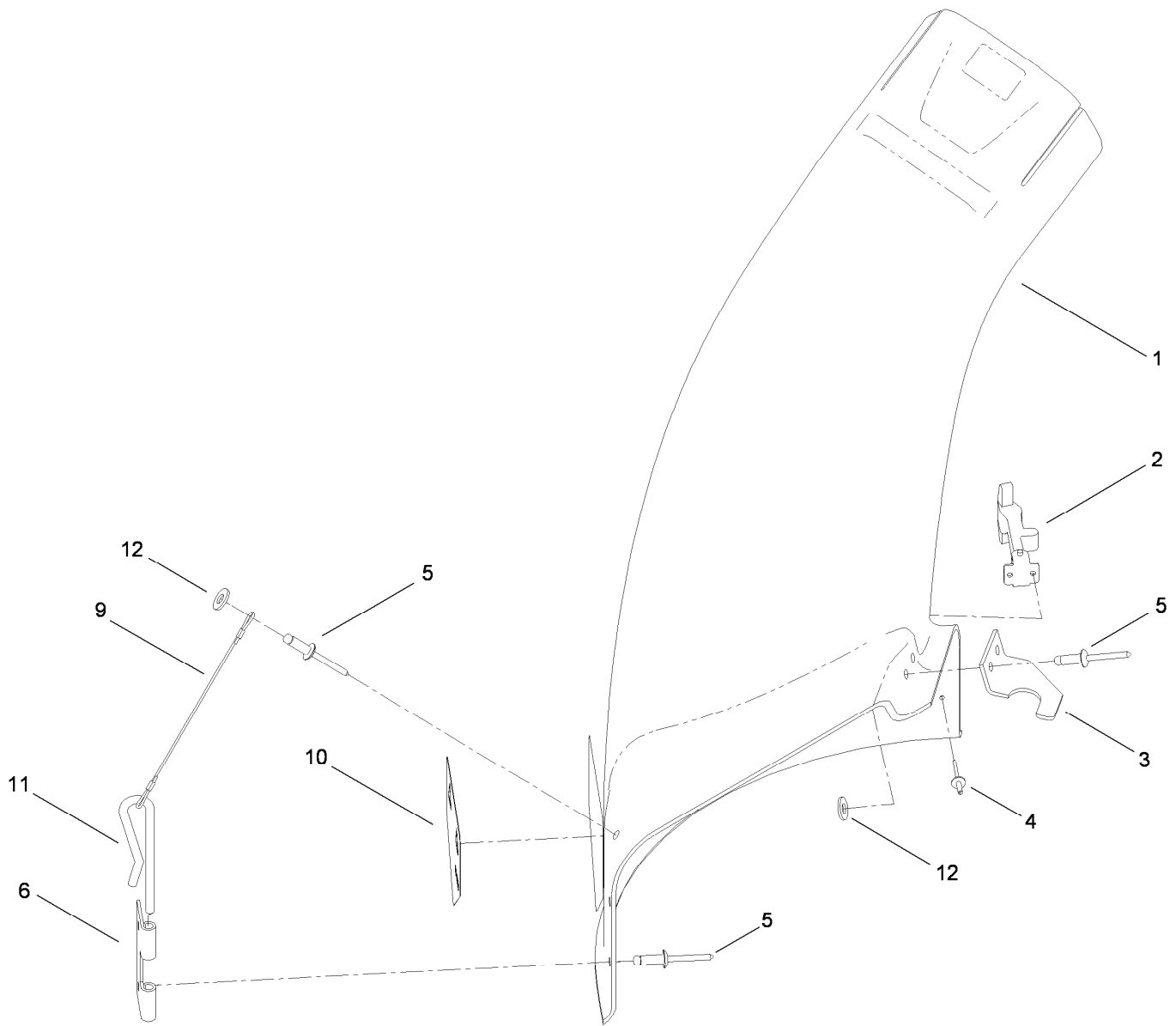
Grass Catcher Assembly 4
Chute Assembly No. 94-6036 5
Mounting Bracket Assembly 6



Grass Catcher Assembly

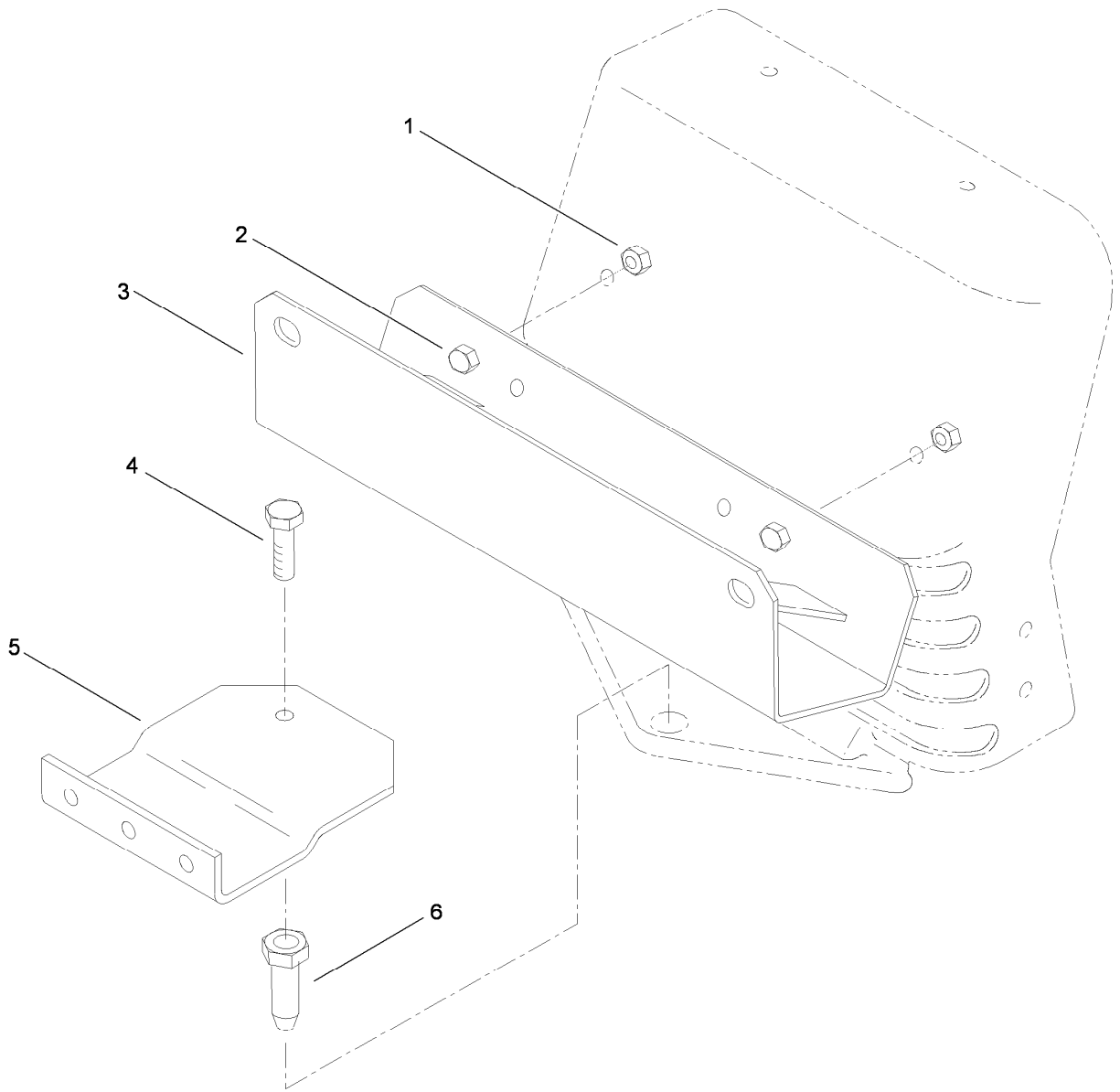
<i>Ref.</i>	<i>Part Number</i>	<i>Qty.</i>	<i>Description</i>	<i>Ref.</i>	<i>Part Number</i>	<i>Qty.</i>	<i>Description</i>
1	3269-4	22	Rivet-Pop	17	323-6	2	Screw-HH
2	3256-49	22	Washer-Flat	18	61-9880-03	1	Plate-Backup
3	61-9890	1	Screen	19	3290-355	2	Pin-Hair
4	62-3640	1	Decal-Bagger, Twin	20	94-6030	1	Duct-Bagger
5	322-5	8	Screw-HH	21	61-9900-03	1	Frame-Mounting
6	3256-23	8	Washer-Flat	22	61-9870-03	1	Baffle
7	61-9790	1	Cover-Bagger, Twin	23	62-6890-03	1	Inlet-Support
8	32144-4	4	Screw-HWH	24	47-2560	2	Bag ASM
9	61-9860	2	Bracket-Frame, Bag	24:1	47-2550	2	Grip-Handle, Bag
10	61-9810-03	1	Frame-Cover	24:2	47-2570	1	Bag
11	3296-29	8	Nut-Lock, NI	24:3	47-2620-03	1	Frame-Bag
15	3296-39	2	Nut-Lock, NI	26	94-6036	1	Bagger Chute ASM ●
16	3256-24	2	Washer-Flat				

● Not illustrated



Chute Assembly No. 94-6036

<i>Ref.</i>	<i>Part Number</i>	<i>Qty.</i>	<i>Description</i>
1	120210	1	Elbow-Bagger, 38 Inch
2	117344	1	Handle ASM
3	94-6033	1	Latch-Elbow, Bagger
4	3269-13	2	Rivet-Pop
5	3290-412	5	Rivet
6	28-8050	1	Bracket-Mounting, Chute
9	28-8070	1	Lanyard
10	106-6753	1	Decal-Danger, Ce
11	28-8130	1	Pin-Locking, Chute
12	3256-22	3	Washer-Flat



Mounting Bracket Assembly

<i>Ref.</i>	<i>Part Number</i>	<i>Qty.</i>	<i>Description</i>
1	3296-29	4	Nut-Lock, NI
2	322-5	4	Screw-HH
3	94-1976-03	1	Bracket-Channel
4	322-3	1	Screw-HH
5	94-1975-03	1	Bracket-Mounting, Bag
6	25-1530	1	Pin-Mounting, Lower

Notes:



Count on it.