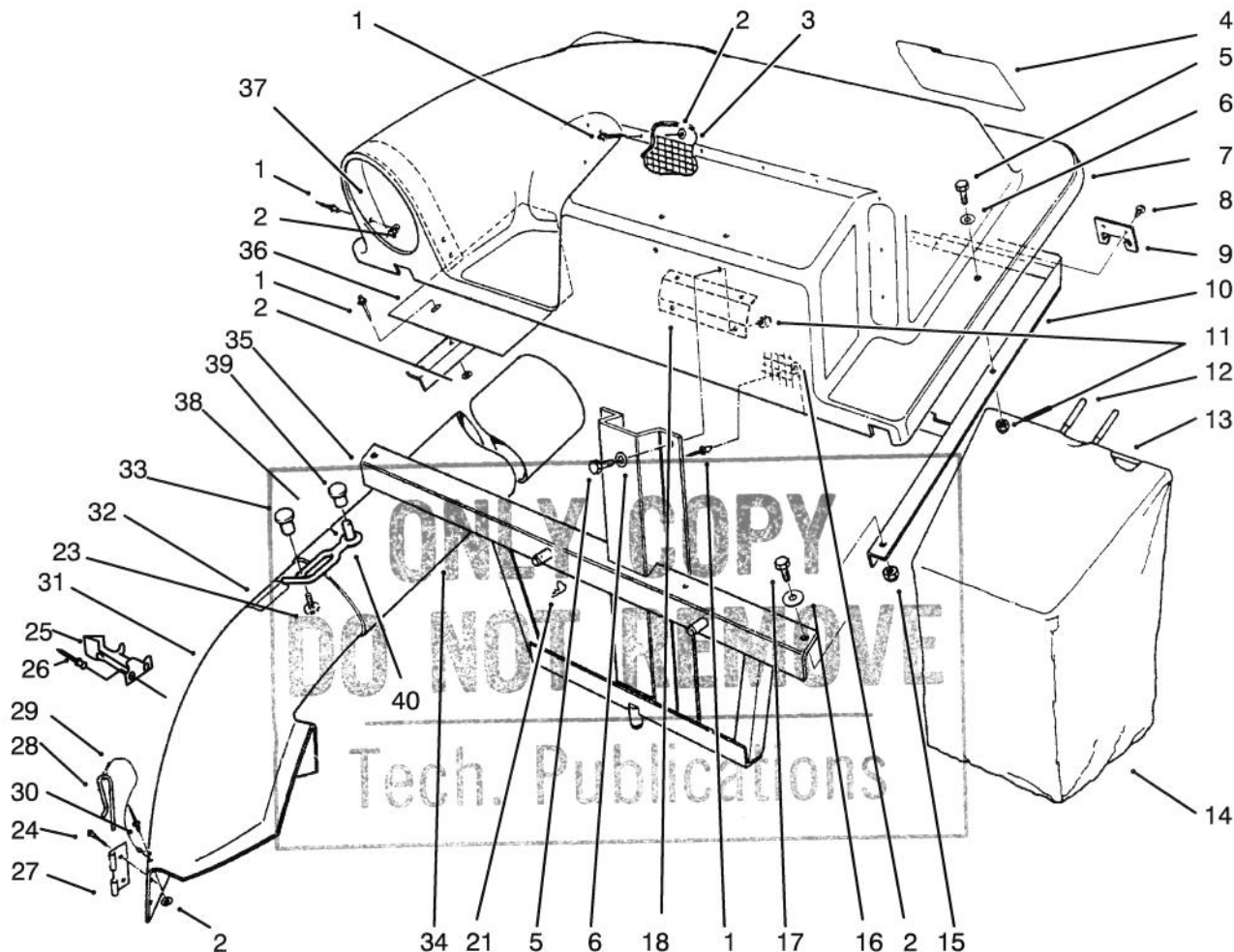


TWIN BAGGER GRASS CATCHER

FOR REAR ENGINE RIDERS AND LAWN TRACTORS WITH 38" DECKS

MODEL NO. 79101-3900001 THRU 4900001 & UP

**PARTS
CATALOG**

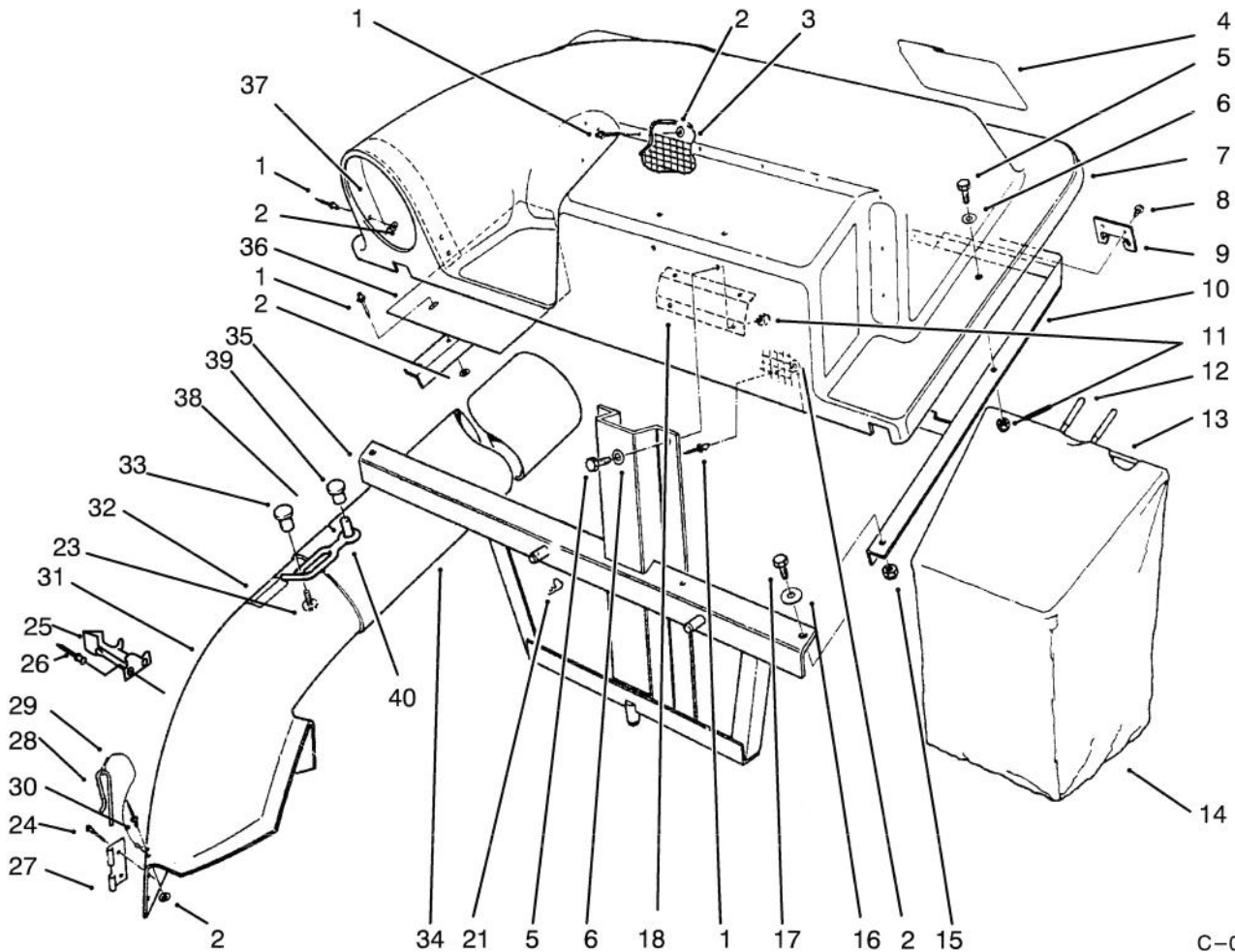


C-0452B

GRASS CATCHER ASSEMBLY

Ref. No.	Part No.	Description	No. Used
1	3269-4	Rivet - Pop	22
2	3256-49	Washer - Flat	23
3	61-9890	Screen	1
4	62-3640	Decal	1
5	322-5	Screw - Cap Hex. Hd.	8
6	3256-23	Washer - Flat	8
7	61-9790	Cover	1
8	32144-4	Screw - Flange, Hex. Hd.	4
9	61-9860	Bracket - Frame, Bag	2
10	61-9810	Cover - Frame W.A.	1
11	3296-29	Nut - Lock	8
12	47-2550	Grip - Handle, Bag	4

Ref. No.	Part No.	Description	No. Used
13	47-2620	Frame - Bag	2
14	47-2570	Bag - Twin Bagger	2
15	3296-39	Nut - Lock	2
16	3256-24	Washer - Flat	2
17	323-6	Screw - Cap Hex. Hd.	2
18	61-9880	Plate - Backup	1
21	3290-355	Pin - Cotter, Hair	2
23	32144-8	Screw	1
24	3290-412	Rivet - Pop	2
25	57-4670	Draw Latch	1
26	3269-13	Rivet - Pop	2
27	28-8050	Bracket - Mount, Chute	1



C-0452B

GRASS CATCHER ASSEMBLY (Cont.)

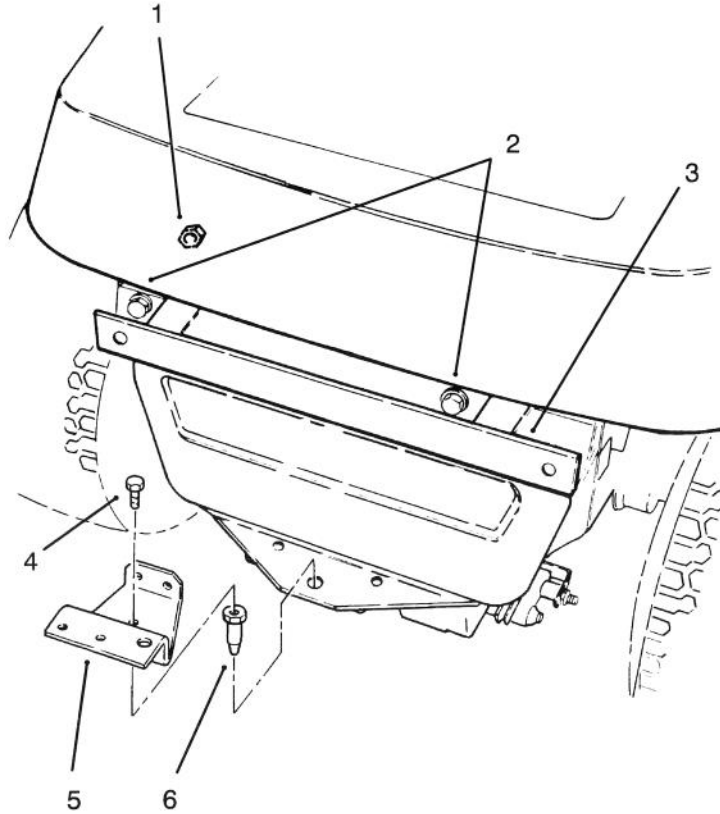
Ref. No.	Part No.	Description	No. Used
28	28-8130	Pin - Locking, Chute	1
29	28-8070	Lanyard	1
30	3290-282	Rivet - Pop	1
31	62-3631	Chute	1
32	54-9220	Decal - Danger	1
33	233-68	Knob	1
34	68-3041	Tube - Grass Discharge	1

Ref. No.	Part No.	Description	No. Used
35	61-9900	Mount - Frame W.A.	1
36	61-9870	Baffle	1
37	62-6890	Support - Inlet	1
38	22-9741	Spacer	1
39	3290-479	Fastener - Panel	1
40	82-5690	Retainer - Duct	1

*Not Illustrated

© The TORO Company - 1993 Rev. 1993
All Rights Reserved.

FRONT ENGINE



MOUNTING HARDWARE

Ref. No.	Part No.	Description	No. Used
1	3296-29	Nut	2
2	322-5	Capscrew	2
3	88-5730	Bracket - Channel	1

Ref. No.	Part No.	Description	No. Used
4	322-3	Capscrew	1
5	88-5990	Bracket - Bagger Mounting	1
6	25-1530	Pin - Mounting, Lower	1

