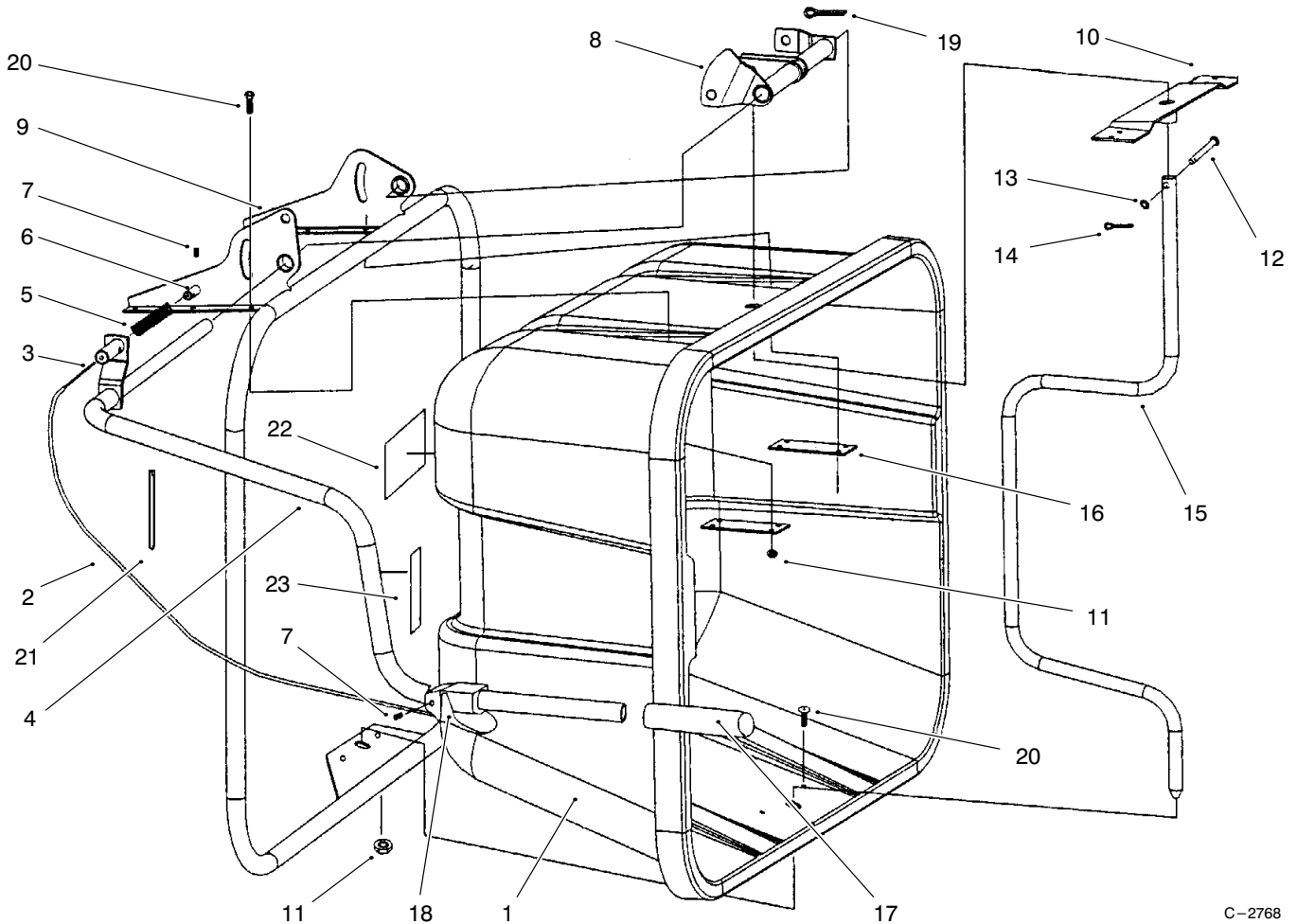




MODEL NO. 79451-8900001 & UP

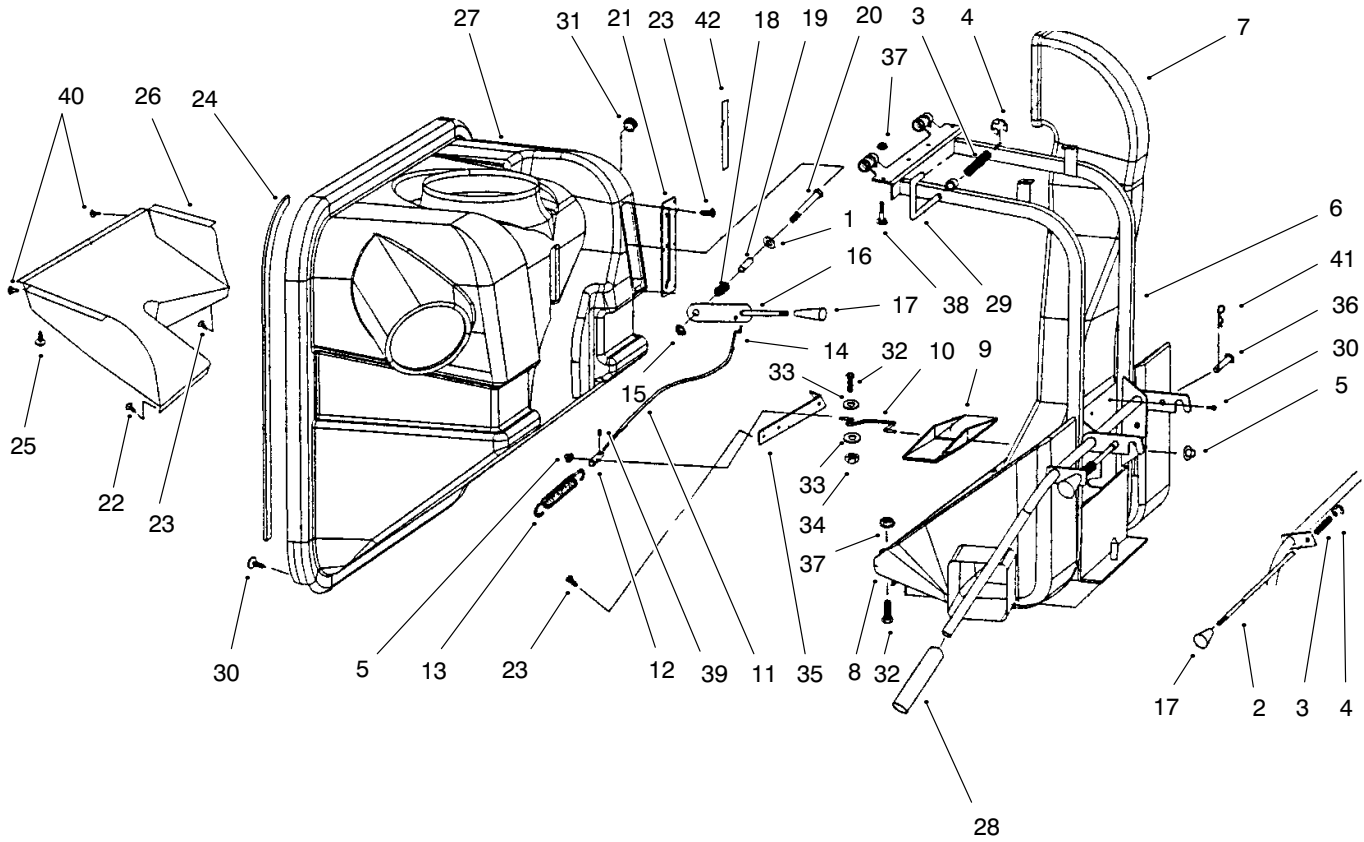
**PARTS
CATALOG**
QUIET COLLECTOR


C-2768

COLLECTOR REAR SECTION ASSEMBLY

Ref. No.	Part No.	Description	No. Used
1	98-3606	Hopper-Back	1
2	98-3619	Shield-Cable	1
3	98-3621	Cable	1
4	98-3646	Arm-Dump (Incl. Ref. #23)	1
5	98-3627	Spring	1
6	98-3665	Pin-Lock	1
7	3245-1	Screw-Set (Allen)	2
8	98-3657	Lever	1
9	98-3661	Chassis	1
10	98-3653	Guide	1
11	32128-33	Nut-Flange	14
12	98-3637	Pin	1

Ref. No.	Part No.	Description	No. Used
13	3256-23	Washer-Flat	1
14	3272-10	Pin-Cotter	1
15	98-3655	Bolt-Lock	1
16	98-3654	Plate	2
17	98-3669	Grip-Handle	1
18	98-3622	Lever Control Assembly (Incl. Ref. #2, 3, 7)	1
19	3272-21	Pin-Cotter	1
20	9114604	Screw	14
21	3290-378	Tie-Cable	3
22	67-7310	Decal	1
23	98-3679	Decal-Dump Arm Operation	1

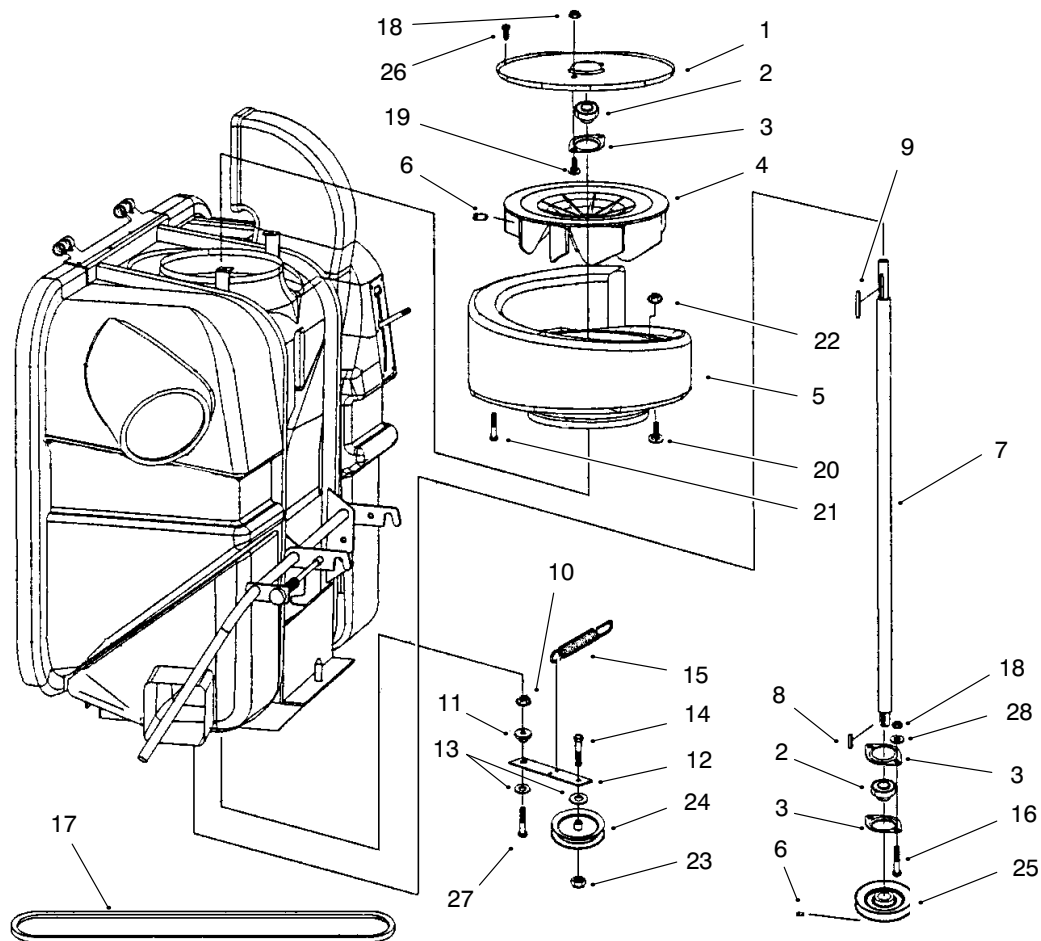


C-2869

COLLECTOR FRONT SECTION ASSEMBLY

Ref. No.	Part No.	Description	No. Used
1	3256-24	Washer-Flat	1
2	98-3668	Pin-Hitch	1
3	98-3640	Spring	2
4	98-3659	Ring-Retainer	2
5	98-3652	Washer-Cap	2
6	98-3651	Frame	1
7	98-3605	Dock-Air	1
8	98-3602	Hopper-Bottom	1
9	98-3611	Door-Air	1
10	98-3644	Lever-Door	1
11	98-3618	Shield-Cable	1
12	98-3681	End-Cable	1
13	98-3642	Spring	1
14	98-3620	Cable	1
15	32128-20	Nut-Flange	1
16	98-3658	Lever-Draft	1
17	98-3672	Knob-Oval	2
18	98-3647	Spring	1
19	98-3648	Sleeve	1
20	322-11	Bolt-HH	1
21	98-3612	Plate-Lever (Incl. Ref. #42)	1

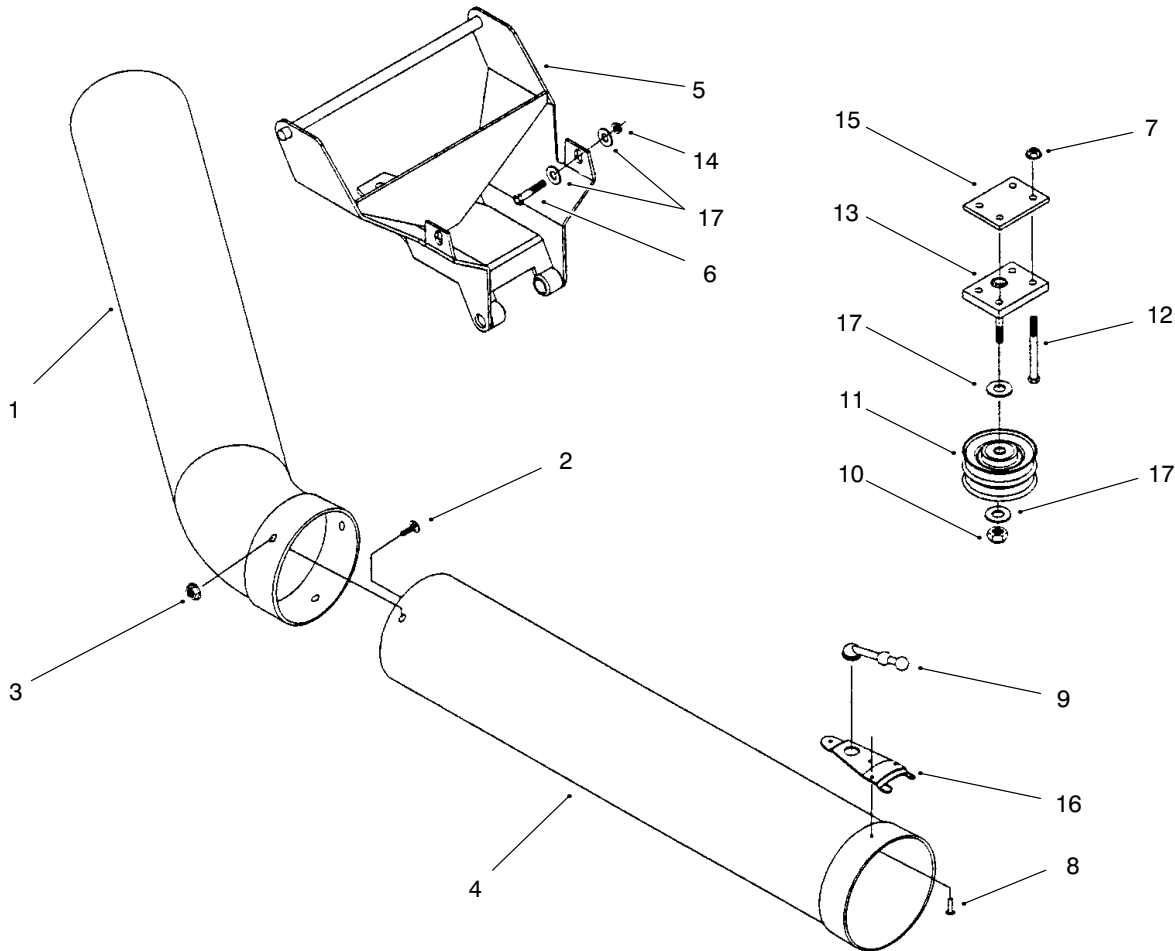
Ref. No.	Part No.	Description	No. Used
22	32144-118	Screw-Tap	5
23	92-9665	Screw-Metal	10
24	98-3645	Seal-Stripping	1
25	32144-100	Screw-Tek (Roundhead)	1
26	98-3673	Filter	1
27	98-3601	Hopper-Front	1
28	98-3662	Grip-Handle	1
29	98-3613	Hook	1
30	32144-23	Screw-Metal	21
31	98-3650	Cap-Rubber	1
32	321-4	Bolt-HH	5
33	3256-23	Washer-Flat	2
34	3296-19	Nut-Hex Lock Stover	1
35	98-3694	Bracket-Reinforcing	1
36	98-3695	Pin-Hitch	1
37	32128-33	Nut-Flange	6
38	3229-24	Bolt-Carriage	2
39	3245-1	Screw-Set (Allen)	1
40	3269-8	Rivet-Pop	2
41	98-3696	Hairpin	1
42	98-3680	Decal-Air Direction	1



C-2770

SCROLL AND FAN ASSEMBLY

Ref. No.	Part No.	Description	No. Used	Ref. No.	Part No.	Description	No. Used
1	98-3604	Cover-Scroll	1	15	98-3636	Spring	1
2	98-3690	Bearing	2	16	322-5	Bolt-HH	2
3	98-3691	Flange	3	17	98-3624	Belt-V	1
4	98-3615	Fan	1	18	32128-20	Nut-Lock (Nylon)	4
5	98-3603	Scroll	1	19	3230-1	Bolt-Carriage	2
6	3246-2	Screw-Set (Allen)	4	20	3229-2	Bolt-Carriage	1
7	98-3643	Shaft	1	21	321-4	Bolt-HH	2
8	98-3692	Key (Short)	1	22	32128-33	Nut-Flange	3
9	98-3628	Key (Long)	1	23	3296-39	Nut-Lock (Nylon)	1
10	3290-357	Nut-Flange	1	24	98-3631	Idler-Flat	1
11	98-3632	Washer-Flange	1	25	98-3623	Pulley-V	1
12	98-3630	Arm-Idler	1	26	32144-23	Screw-Metal	8
13	3256-25	Washer-Flat	2	27	323-7	Bolt-HH	1
14	323-9	Bolt-HH	1	28	3256-24	Washer-Flat	2



C-2771

HITCH AND SUCTION TUBE ASSEMBLY

Ref. No.	Part No.	Description	No. Used
1	98-3609	Tube-Elbow	1
2	3229-24	Bolt-Carriage	3
3	32128-33	Nut-Flange	3
4	98-3610	Tube-Straight	1
5	98-3666	Hitch-Quick	1
6	323-6	Bolt-HH	2
7	3290-357	Nut-Flange	4
8	3269-21	Rivet-Pop	3
9	98-3693	Latch-Rubber	1

Ref. No.	Part No.	Description	No. Used
10	3296-48	Nut-Lock (Nylon)	1
11	98-3617	Idler-Double	1
12	323-15	Bolt-HH	4
13	98-3616	Plate-Mounting	1
14	3296-39	Nut-Lock (Nylon)	2
15	98-3614	Plate Fixation	1
16	98-3675	Bracket	1
17	3256-25	Washer-Flat	6