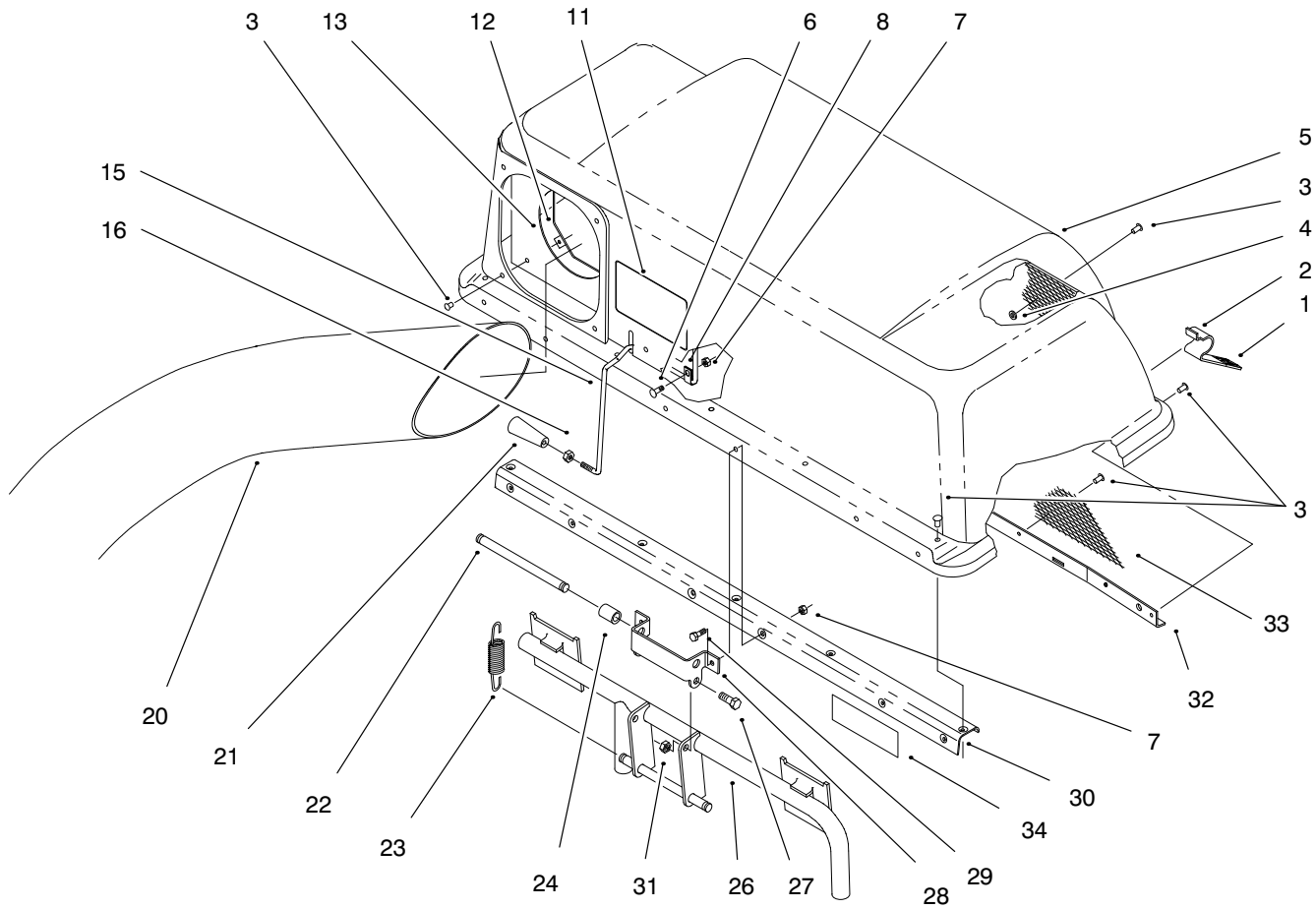




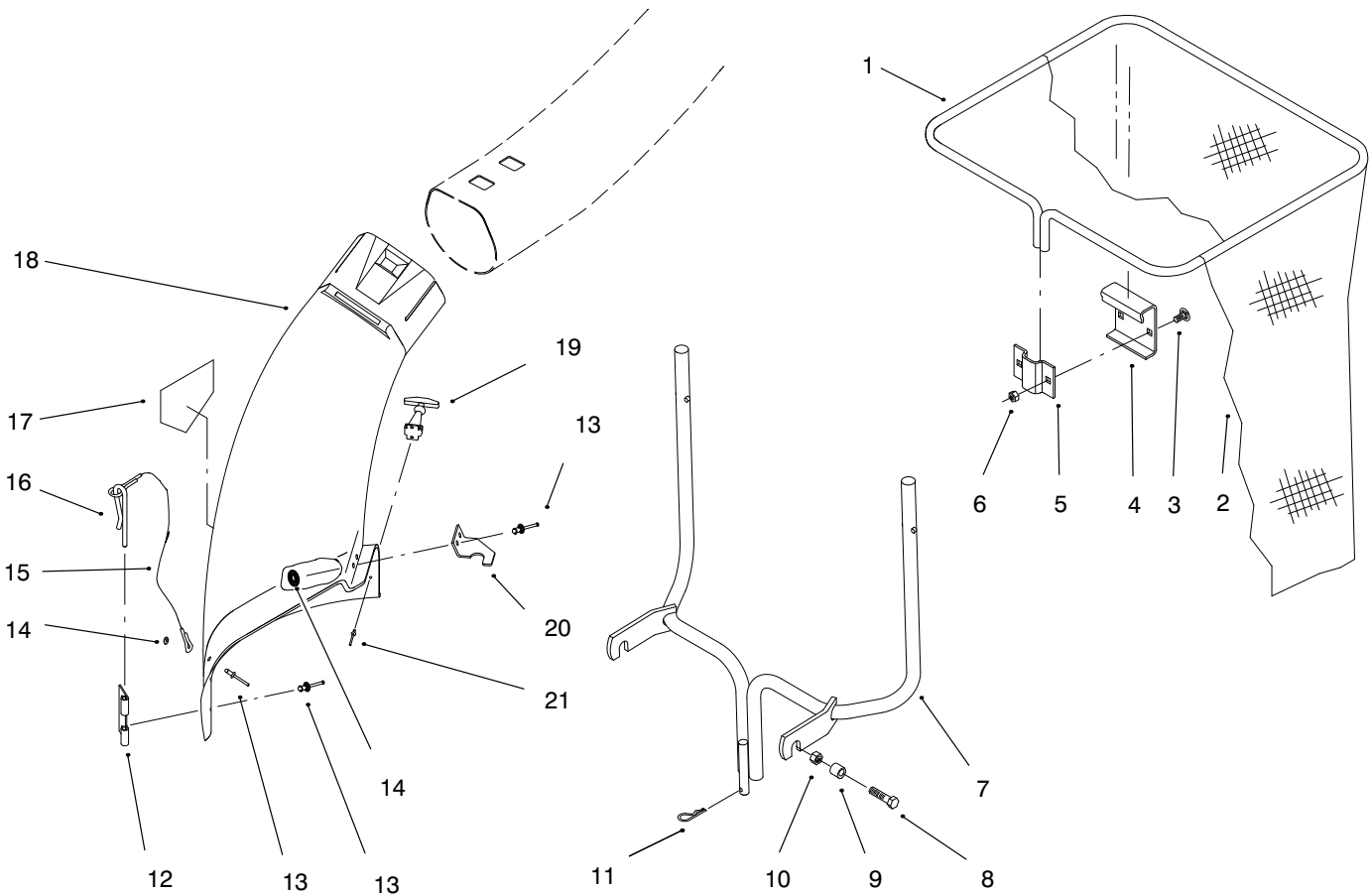
MODEL NO. 79202-9900001 &UP

PARTS
CATALOG
WHEELHORSE®
38" TWIN BAGGER LAWN & GARDEN TRACTOR


COVER AND CHUTE ASSEMBLY

Ref. No.	Part No.	Description	No. Used
1	115880	Grip	2
2	115481	Latch - Bag	2
3	114439	Rivet - Pop	24
4	9202704	Washer	4
5	92-1734	Top - Bagger	1
6	9108372	Screw	2
7	3296-42	Nut - Lock	4
8	2412-91	Clamp - Cable	2
11	116347	Decal - Easy Twin	1
12	114966	Seal - Clamp	1
13	117239	Seal - Chute	1
15	114969	Feeler - Full Bag	1
16	3218-1	Nut - Jam	1
20	78-8770	Chute - Bagger	1

Ref. No.	Part No.	Description	No. Used
21	118320	Handle	1
22	114960	Pin - Spring	1
23	114962	Spring - Extension	2
24	9790944	Spacer	2
26	114955	Frame	1
27	323-6	Screw - Hex. Hd.	2
28	114961	Hinge - Top	1
29	321-4	Screw - Hex. Hd.	2
30	114964	Stiffener - Bagger	1
31	3296-39	Nut - Lock	2
32	92-1736	Support - Screen	1
33	114967	Screen - Bagger	1
34	93-7113	Decal - Caution	1



CHUTE, BAG AND FRAME ASSEMBLY

Ref. No.	Part No.	Description	No. Used
1	114972	Frame – Bag	2
2	93-1623	Bag	2
3	3230-1	Screw – Carriage	4
4	114973	Hanger – Bag	2
5	114974	Clamp	2
6	3296-29	Nut – Hex. Hd.	4
7	92-7053	Bagger Quick Attach Asm	1
8	323-9	Screw – Hex. Hd.	2
9	105474	Spacer	2
10	3296-39	Nut – Hex. Hd.	2
11	9335064	Hairpin – Cotter	1

Ref. No.	Part No.	Description	No. Used
12	28-8050	Bracket – Chute	1
13	3290-412	Rivet – Pop	5
14	3256-22	Washer	3
15	28-8070	Lanyard	1
16	28-8130	Pin – Lock	1
17	93-1122	Decal – Danger	1
18	120210	Elbow – Bagger	1
19	117344	Handle ASM	1
20	120312	Latch – Bagger Elbow	1
21	3269-13	Rivet – Pop	2