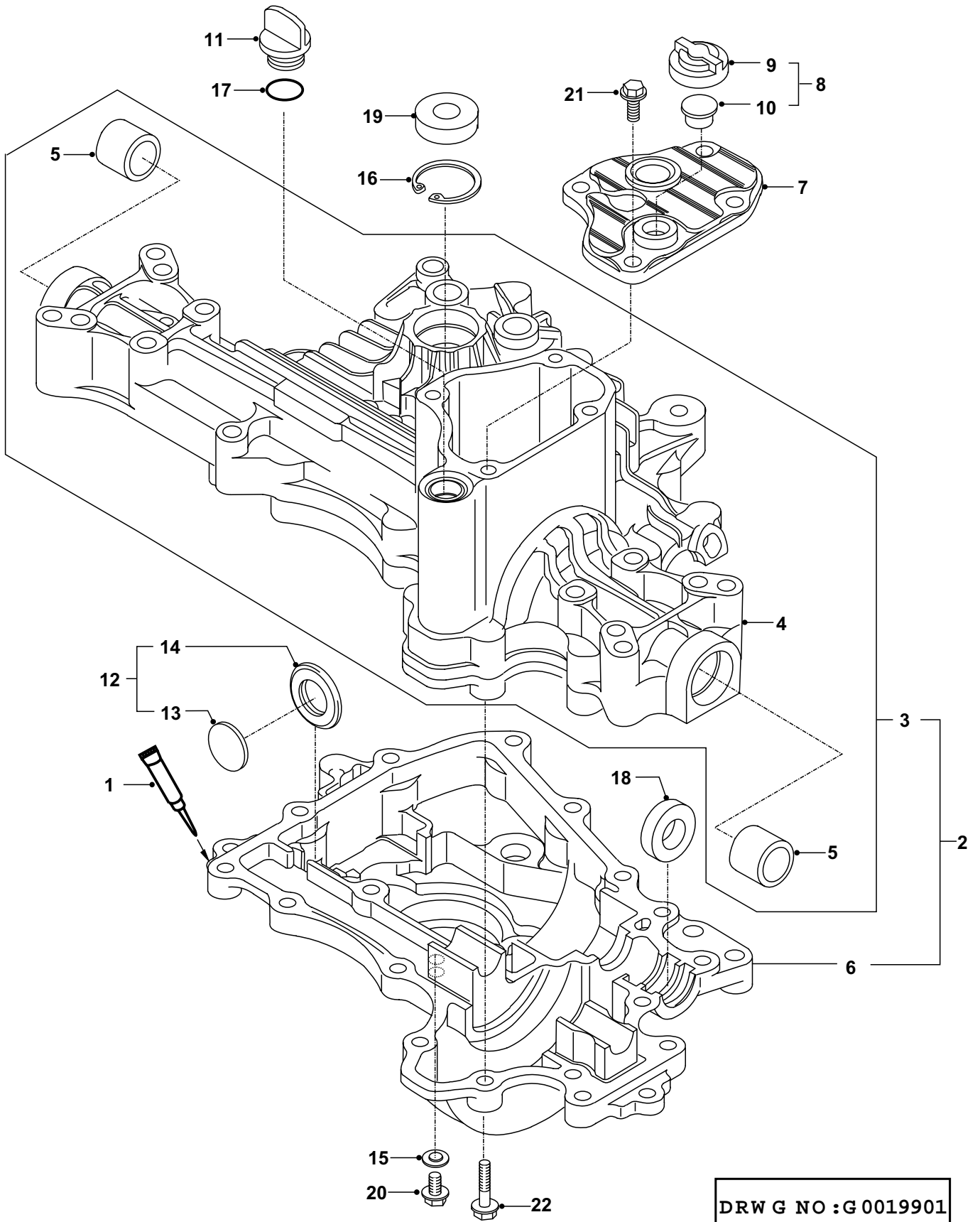


K55 TRANSAXLE

CONTENTS

FIG. 01	TRANSAXLE CASE ASSY.....SECTION 01
FIG. 02	CENTER CASE ASSY.....SECTION 02
FIG. 03	PUMP SHAFT ASSY.....SECTION 03
FIG. 04	MOTOR SHAFT ASSY.....SECTION 04
FIG. 04a	MOTOR SHAFT ASSY.....SECTION 4a
FIG. 05	RANGE SHIFT ASSY.....SECTION 05
FIG. 06	CONTROL SHAFT ASSY.....SECTION 06
FIG. 07	DIFF. GEAR ASSY.....SECTION 07
FIG. 08	AXLE SHAFT ASSY.....SECTION 08
FIG. 09	BRAKE ASSY.....SECTION 09

FIG. 01 TRANSAXLE CASE ASSY
(D92136 - 80250)



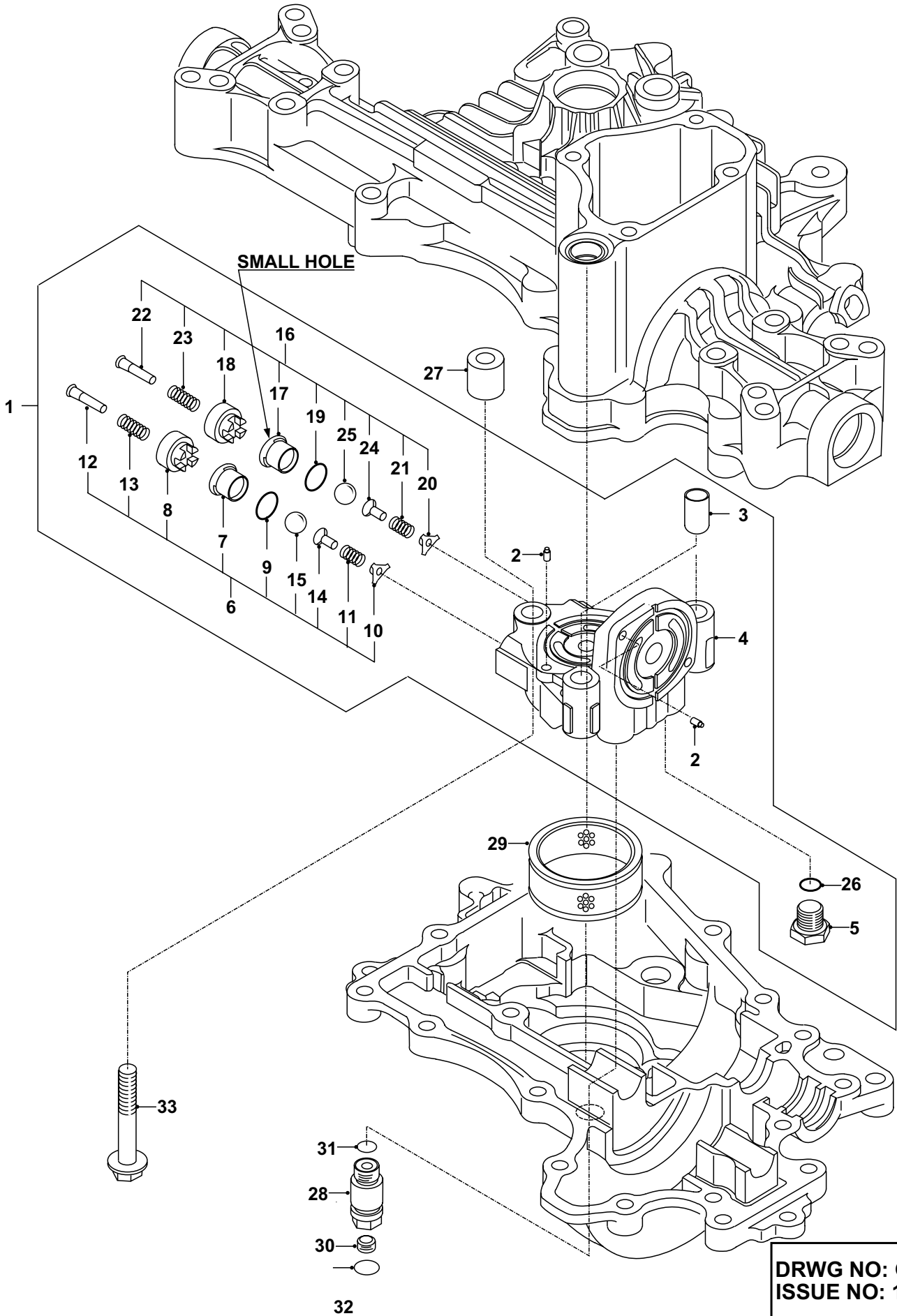
DRWG NO : G 0019901
ISSUE NO : 1

SECTION 1

**K55 TRANSAXLE CASE ASSEMBLY (FIG.01)
PARTS LIST**

	PART DESCRIPTION	PART NUMBER
1	Sealant	194855 - 24020
2	Transaxle Case Set	192163 - 84090
3	Upper Case CMP	192163 - 84251
4	Upper Case	192163 - 84261
5	Bushing 19.05	192163 - 34240
6	Lower	192163 - 24271
7	Top Cover	192163 - 24130
8	Vent Valve 15	194859 - 24252
9	Cap, Vent Valve	194859 - 24262
10	Body, Vent Valve	194859 - 24270
11	Cap, Oil 20	194855 - 24290
12	Magnet CMP	192163 - 24350
13	Magnet 28*3.5	192163 - 24360
14	Cover (Magnet)	192163 - 24370
15	Washer, Seal 8	22190 - 080000
16	Ring 35	22252 - 000350
17	Packing P 18	24311 - 000180
18	Seal TC123207	24421 - 123207
19	Seal TC153507	24421 - 153507
20	Bolt 8*12	26106 - 080122
21	Bolt 8*20	26106 - 080202
22	Tapping, Screw 8*30	26476 - 080302

FIG. 02 CENTER CASE ASSY
(D92163 - 80460)

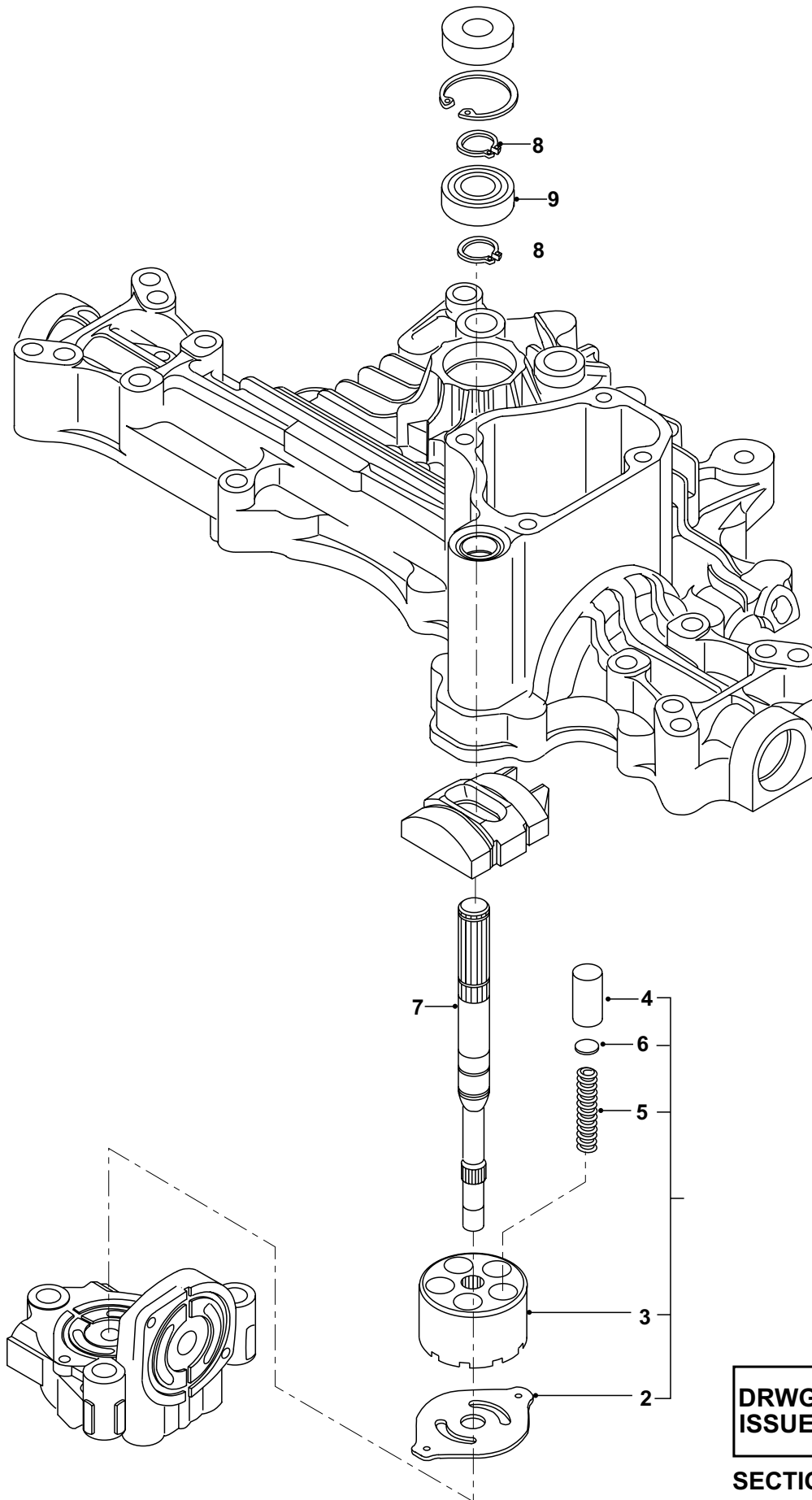


DRWG NO: G0029901
ISSUE NO: 1
SECTION 2

**K55 TRANSAXLE CENTER CASE ASSEMBLY (FIG.02)
PARTS LIST**

	PART DESCRIPTION	PART NUMBER
1	Center Case CMP	192163 - 84500
2	Knock Pin 3.5	192163 - 24420
3	Knock Pin 12*22	192154 - 24450
4	Center Case	192163 - 24510
5	Plug PF1/4	192154 - 24550
6	Valve (A-1 Set)	192163 - 24610
7	Sleeve (A1)	192163 - 24641
8	Valve (B)	192154 - 24660
9	Packing 1015	192154 - 24670
10	Holder (Bypass)	192154 - 24690
11	Spring	192154 - 24701
12	Push Pin	192154 - 24710
13	Spring (Push Pin)	192163 - 24720
14	Holder (ball)	192154 - 24730
15	Ball 3/8	24190 - 120001
16	Valve (A-2 Set)	192163 - 24620
17	Sleeve (A2)	192163 - 24650
18	Valve (B)	192154 - 24660
19	Packing 1015	192154 - 24670
20	Holder (Bypass)	192154 - 24690
21	Spring	192154 - 24701
22	Push Pin	192154 - 24710
23	Spring (Push Pin)	192163 - 24720
24	Holder (Ball)	192154 - 24730
25	Ball 3/8	24190 - 120001
26	Packing P11	24311 - 000110
27	Collar 10*20*20	192163 - 24760
28	Connector	192163 - 24900
29	Filter	192163 - 24960
30	Plug PT1/8	23871 - 010000
31	Packing P11	24311 - 000110
32	Packing P14	24311 - 000140
33	Bolt 10*60	26106 - 100602

FIG. 03 PUMP SHAFT ASSY
(D92163 - 80240)



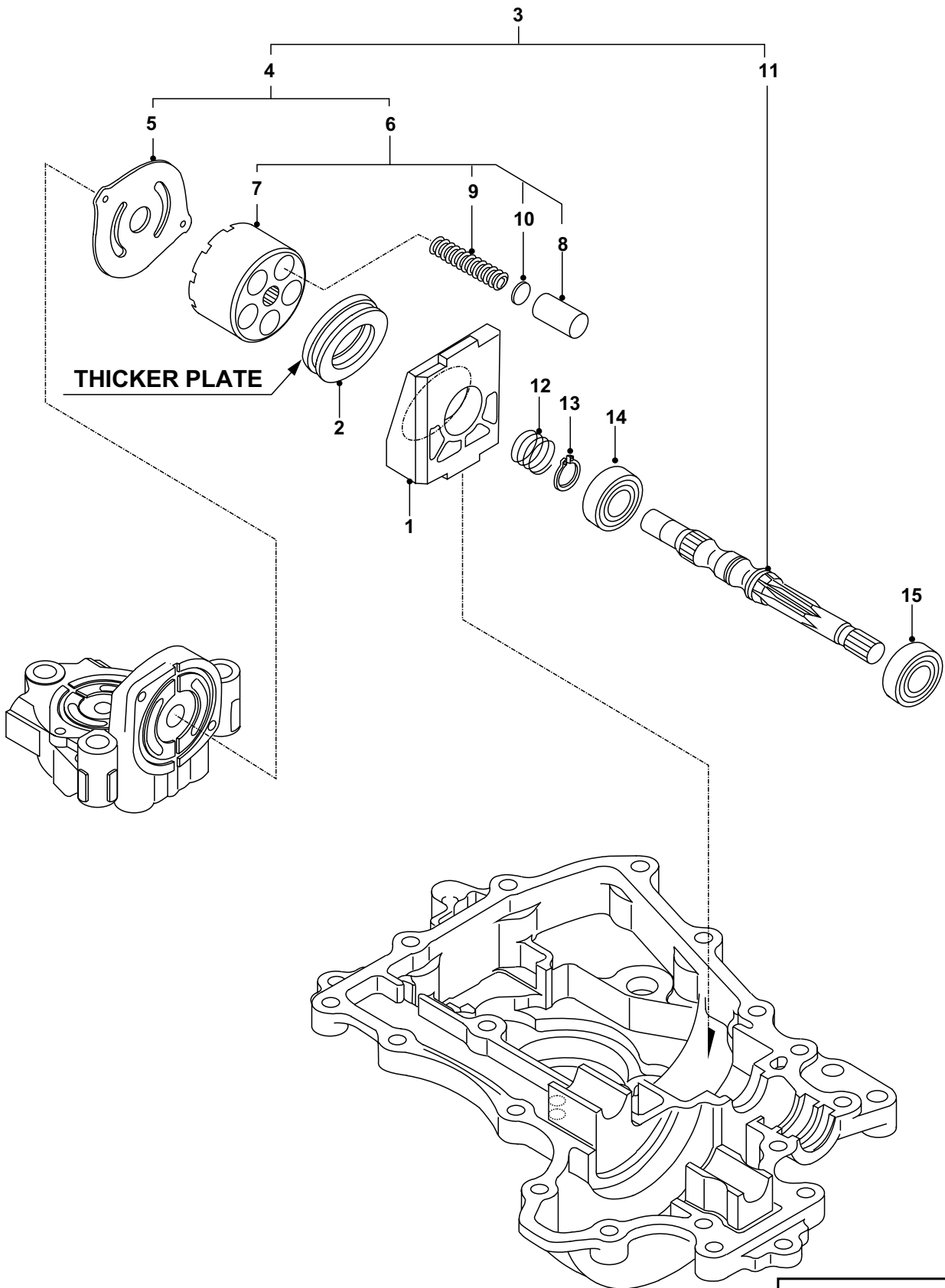
DRWG NO: G0039901
ISSUE NO: 1

SECTION 3

**K55 TRANSAXLE PUMP SHAFT ASSEMBLY (FIG.03)
PARTS LIST**

	PART DESCRIPTION	PART NUMBER
1	Cylinder Block P CMP	192163 - 25110
2	Plate (Pump)	192163 - 24401
3	Cylinder Block	192163 - 25120
4	Piston	192163 - 25150
5	Spring (Piston)	192163 - 25161
6	Washer 9.4	192163 - 25170
7	Shaft, Pump	192163 - 85240
8	Ring 15	192154 - 25310
9	Bearing 6202C3	24101 - 062020

FIG.04 MOTOR SHAFT ASSY
(D92163 - 25210)



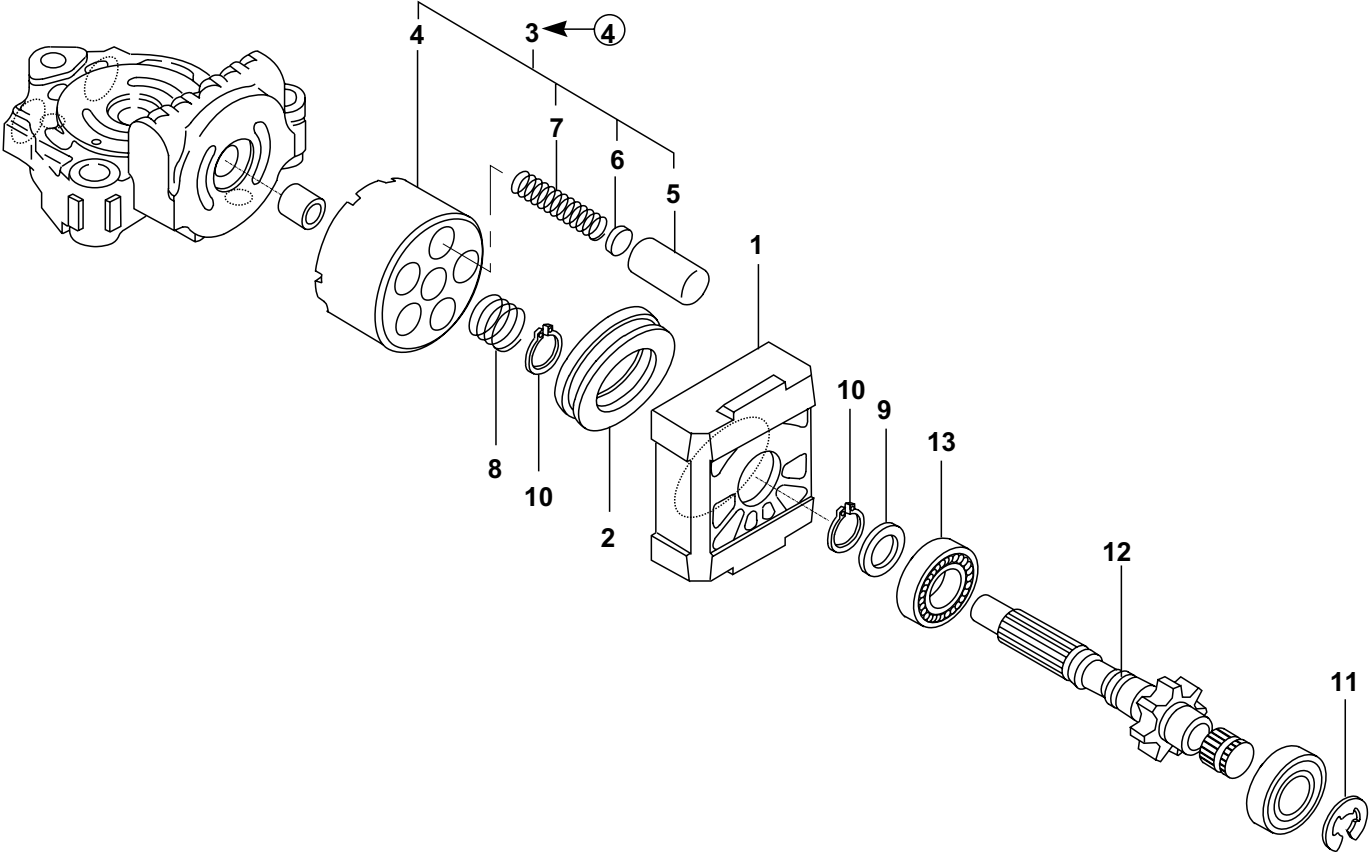
DRWG NO: G0049901
ISSUE NO: 1

SECTION 4

**K55K TRANSAXLE MOTOR SHAFT ASSEMBLY (FIG.04)
PARTS LIST**

	PART DESCRIPTION	PART NUMBER
1	Housing	192163 - 24210
2	Bearing 51106	192163 - 24240
3	Motor Shaft Set	192163 - 25050
4	Cylinder Block M CMP	192163 - 25211
5	Plate (Motor)	192163 - 24411
6	Cylinder Block CMP	192168 - 25210
7	Cylinder Block	192168 - 25120
8	Piston	192154 - 25150
9	Spring	192154 - 25160
10	Washer 11	192154 - 25170
11	Motor Shaft	192163 - 25291
12	Spring	192154 - 25200
13	Ring 15	192154 - 25310
14	Bearing 6002	24101 - 060024
15	Bearing 6201	24101 - 062014

FIG.04a MOTOR SHAFT ASSY



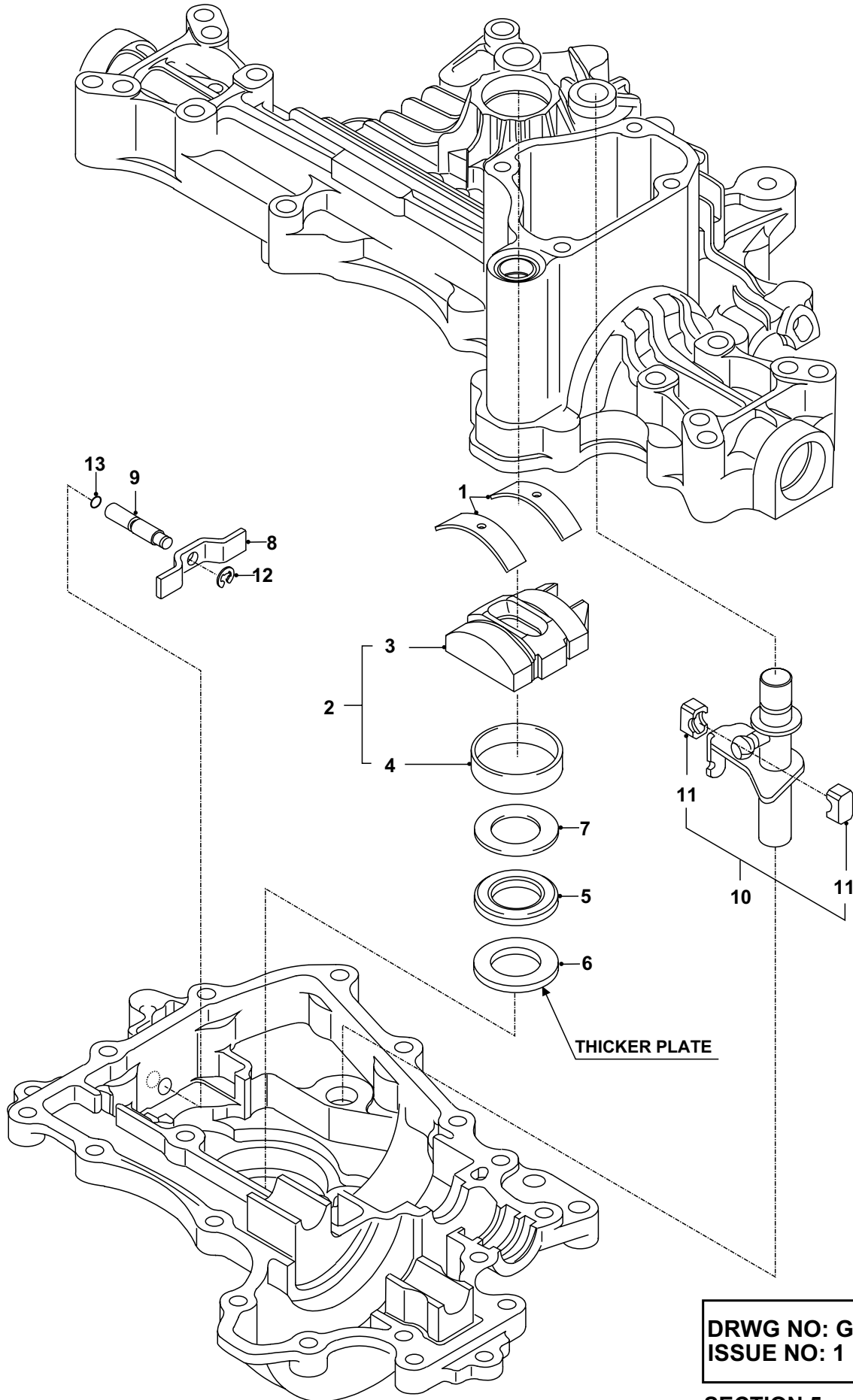
DRWG NO: G0059901
ISSUE NO: 1

SECTION 4a

**K55 TRANSAXLE MOTOR SHAFT ASSEMBLY (FIG.04a)
PARTS LIST**

	PART DESCRIPTION	PART NUMBER
1	Housing	192154 - 24212
2	Bearing (Thrust)	192154 - 24240
3	Cylinder Block CMP	192154 - 25140
4	Cylinder Block	192154 - 25120
5	Piston	192154 - 25150
6	Washer 11	192154 - 25170
7	Spring (Piston)	192154 - 25190
8	Spring	192154 - 25200
9	Washer 15 x 20 x 1	192154 - 25210
10	Ring 15	192154 - 25310
11	Ring E 15	192154 - 85310
12	Shaft (Motor)	192154 - 89200
13	Bearing 6202H2	192154 - 89210

FIG.05 RANGE SHIFT ASSY
(D92163 - 27100)



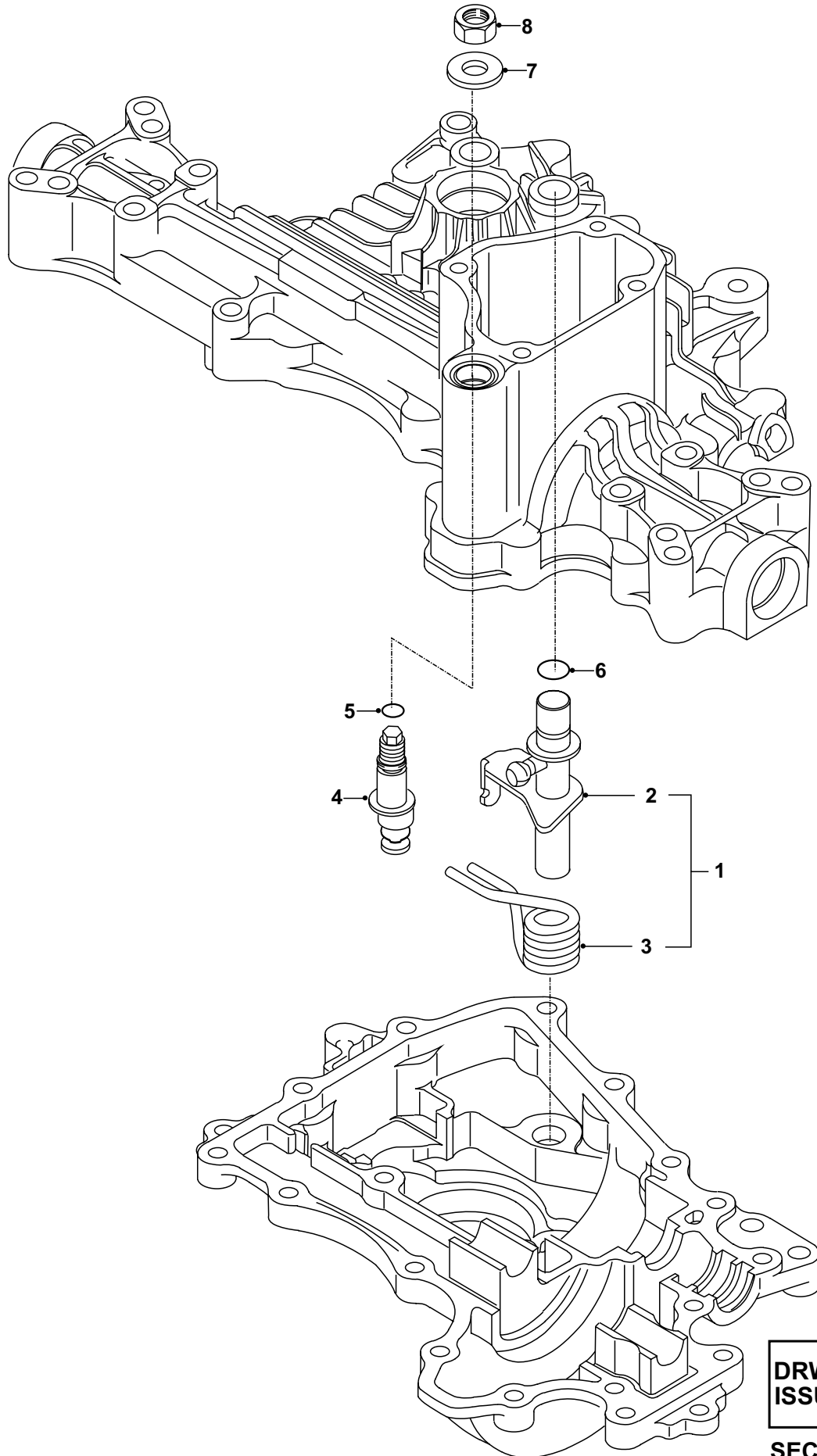
DRWG NO: G0069901
ISSUE NO: 1

SECTION 5

**K55 TRANSAXLE RANGE SHIFT ASSEMBLY (FIG.05))
PARTS LIST**

	PART DESCRIPTION	PART NUMBER
1	Thrust Metal	192163 - 27060
2	Swash Plate CMP	192163 - 27100
3	Swash Plate	192163 - 27120
4	Bushing (Pump)	192163 - 27150
5	Bearing K81105	192163 - 27160
6	Thrust Plate (A)	192163 - 27170
7	Thrust Plate (B)	192163 - 27180
8	C Arm (Bypass)	192163 - 27250
9	Push Pin	192163 - 27262
10	Block Set	192154 - 27321
11	Block (Shift)	192154 - 27301
12	Ring 5	22272 - 000050
13	Packing P5	24311 - 000050

FIG.06 CONTROL SHAFT ASSY
(D92163 - 80270)



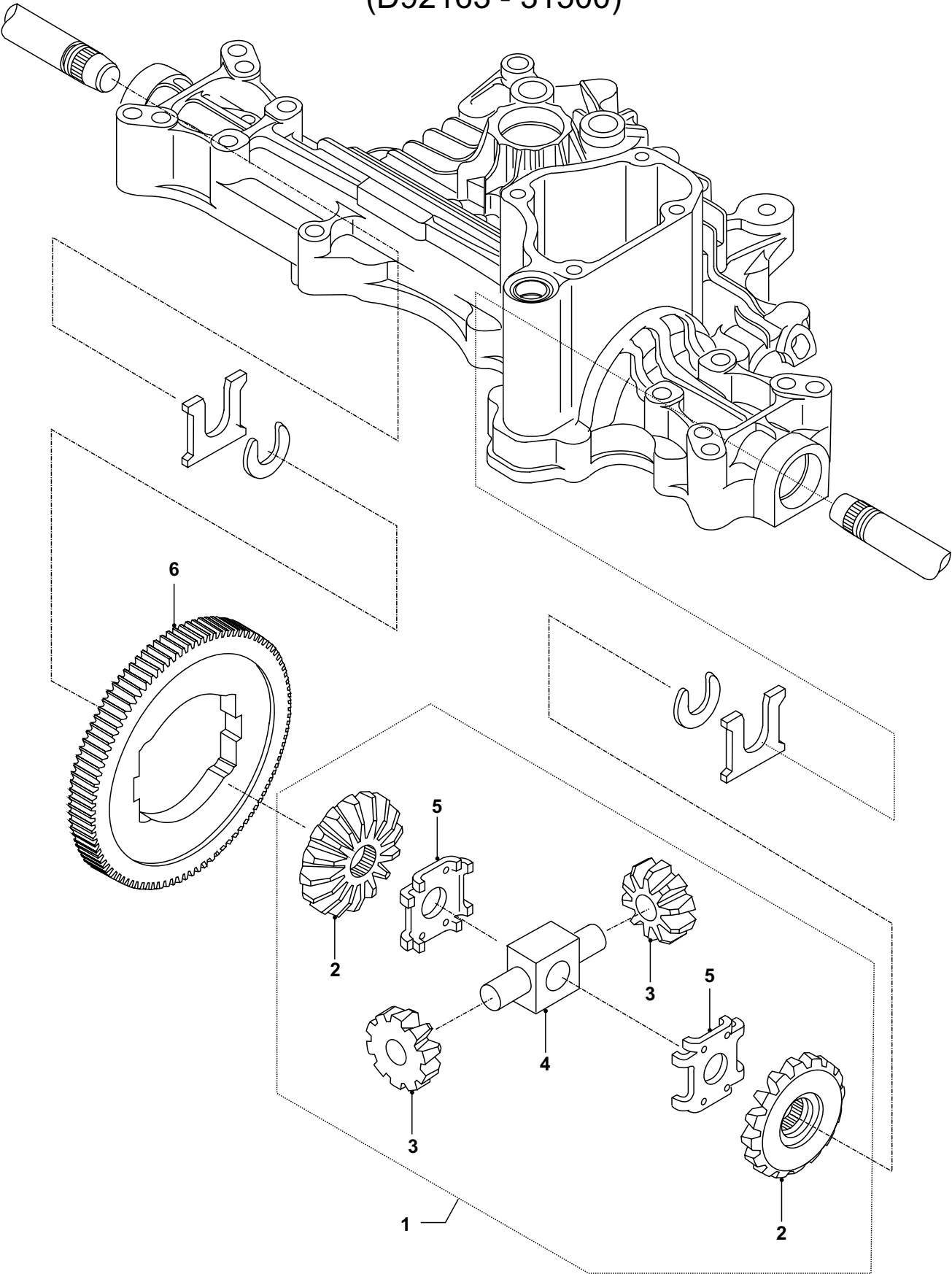
DRWG NO: G0079901
ISSUE NO: 1

SECTION 6

**K55 TRANSAXLE CONTROL SHAFT ASSEMBLY (FIG.06)
PARTS LIST**

	PART DESCRIPTION	PART NUMBER
1	Control Shaft CMP	192163 - 89690
2	Control Shaft	192163 - 89650
3	SP (Torsion 630)	192163 - 29720
4	Fulcrum (Eccentricity)	192154 - 29702
5	Packing P 10A	24311 - 240100
6	Packing P 12	24311 - 000120
7	Washer 12	22137 - 120000
8	Nut 12	26776 - 120002

FIG.07 DIFF. GEAR ASSY
(D92163 - 31500)



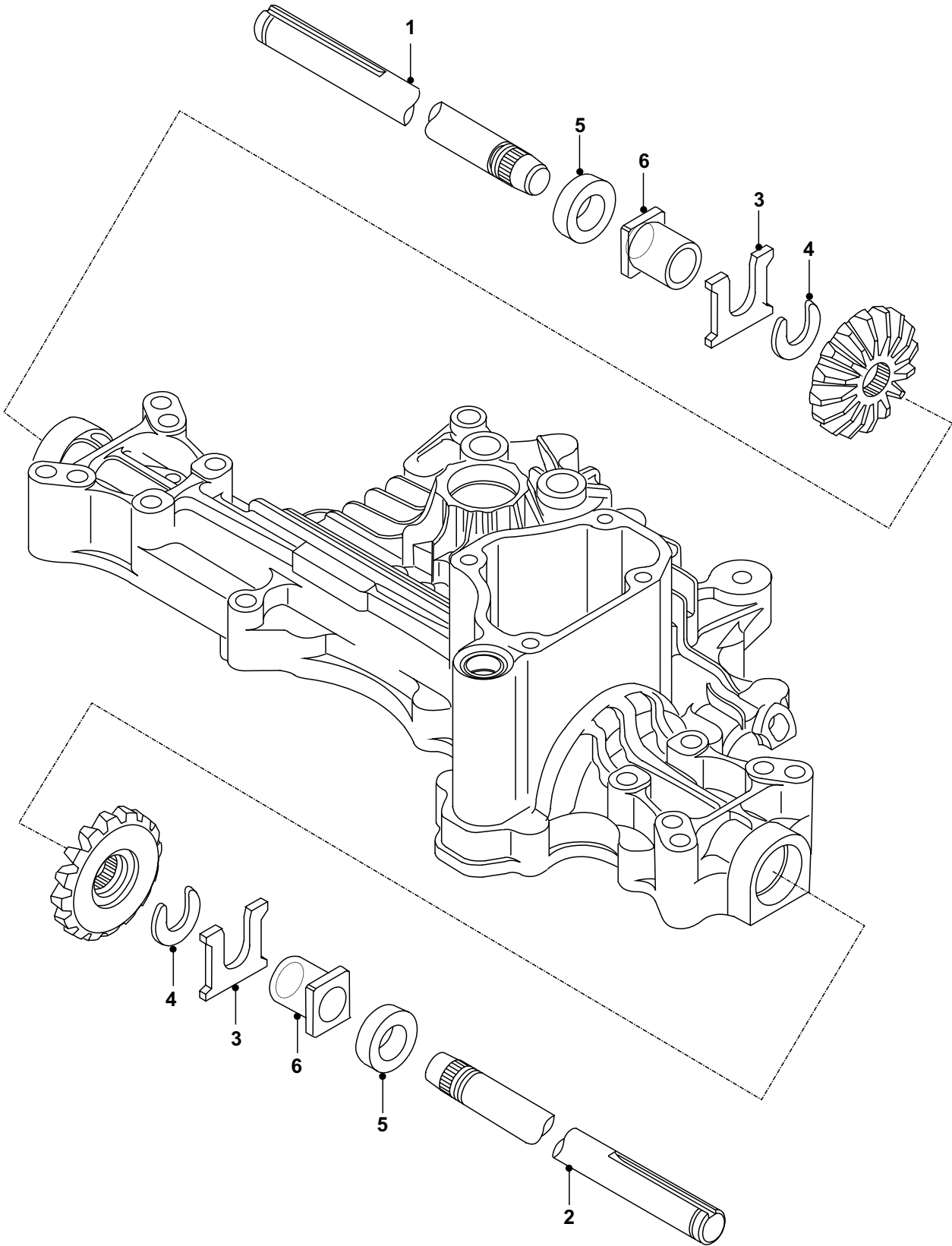
DRWG NO: G0089901
ISSUE NO: 1

SECTION 7

**K55 TRANSAXLE DIFF. GEAR ASSEMBLY (FIG.07)
PARTS LIST**

	PART DESCRIPTION	PART NUMBER
1	Diff. Gear Kit	192163 - 90250
2	Diff. Side Gear	192163 - 31550
3	Diff. Pinion	192163 - 31650
4	Shaft (Diff. Pinion)	192154 - 31810
5	Thrust Washer (Diff)	192163 - 31750
6	Final Gear	192163 - 33511

FIG.08 AXLE SHAFT ASSY
(D92163 - 34110)



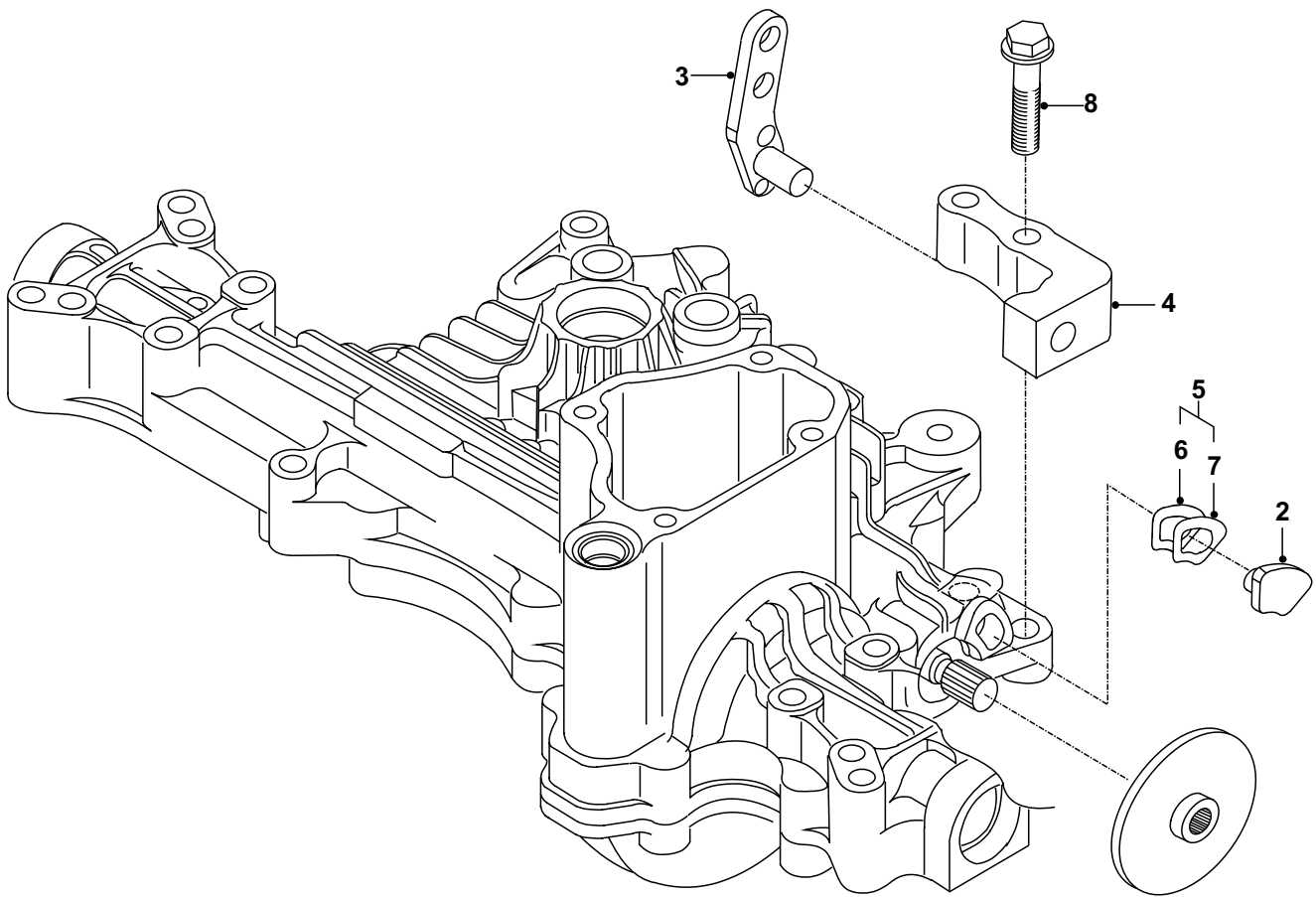
DRWG NO: G009901
ISSUE NO: 1

SECTION 8

**K55 TRANSAXLE AXLE SHAFT ASSEMBLY (FIG.08)
PARTS LIST**

	PART DESCRIPTION	PART NUMBER
1	Axle Shaft L	192163 - 34130
2	Axle Shaft R	192163 - 34140
3	Thrust Washer	192163 - 34261
4	Ring 16	192163 - 34270
5	Seal (S 19*32*8)	192163 - 34280
6	Bushing 19*25	192163 - 34350

FIG.09 BRAKE ASSY
(D92163 - 36100)



DRWG NO: G0109901
ISSUE NO: 1

SECTION 9

**K55 TRANSAXLE BRAKE ASSEMBLY (FIG.09)
PARTS LIST**

	PART DESCRIPTION	PART NUMBER
1	Disk (Brake)	192163 - 36110
2	Shoe (Brake)	192163 - 36120
3	Lever (Brake)	192163 - 36140
4	Stay (Brk. Lever)	192163 - 36160
5	Shim Set	192163 - 36170
6	Shim 0.3 (Brake)	192163 - 36130
7	Shim 0.5 (Brake)	192163 - 36150
8	Bolt 10*45	192163 - 36180