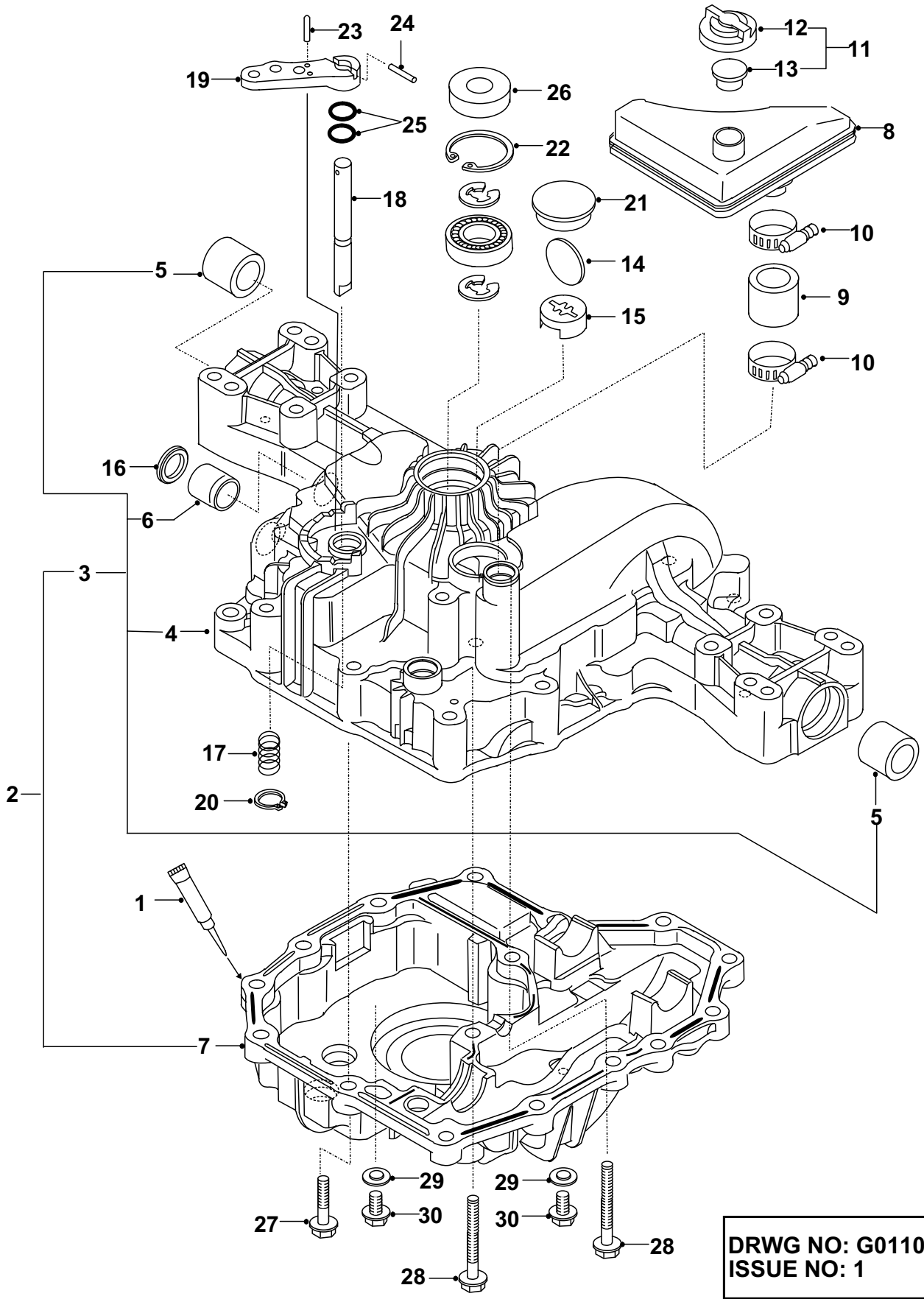


K46 TRANSAXLE

CONTENTS

FIG. 01	TRANSAXLE CASE ASSY.....SECTION 01
FIG. 02	CENTER CASE ASSY.....SECTION 02
FIG. 03	PUMP SHAFT ASSY.....SECTION 03
FIG. 04	MOTOR SHAFT ASSY.....SECTION 04
FIG. 05	RANGE SHIFT ASSY.....SECTION 05
FIG. 06	CONTROL SHAFT ASSY.....SECTION 06
FIG. 07	DIFF. GEAR ASSY.....SECTION 07
FIG. 08	FINAL PINION ASSY.....SECTION 08
FIG. 09	AXLE SHAFT ASSY.....SECTION 09
FIG. 10	BRAKE ASSY.....SECTION 10
FIG. 11	FAN PULLEY ASSY.....SECTION 10

**Fig.1 TRANSAXLE CASE ASSY
(DA6460 - 84100)**



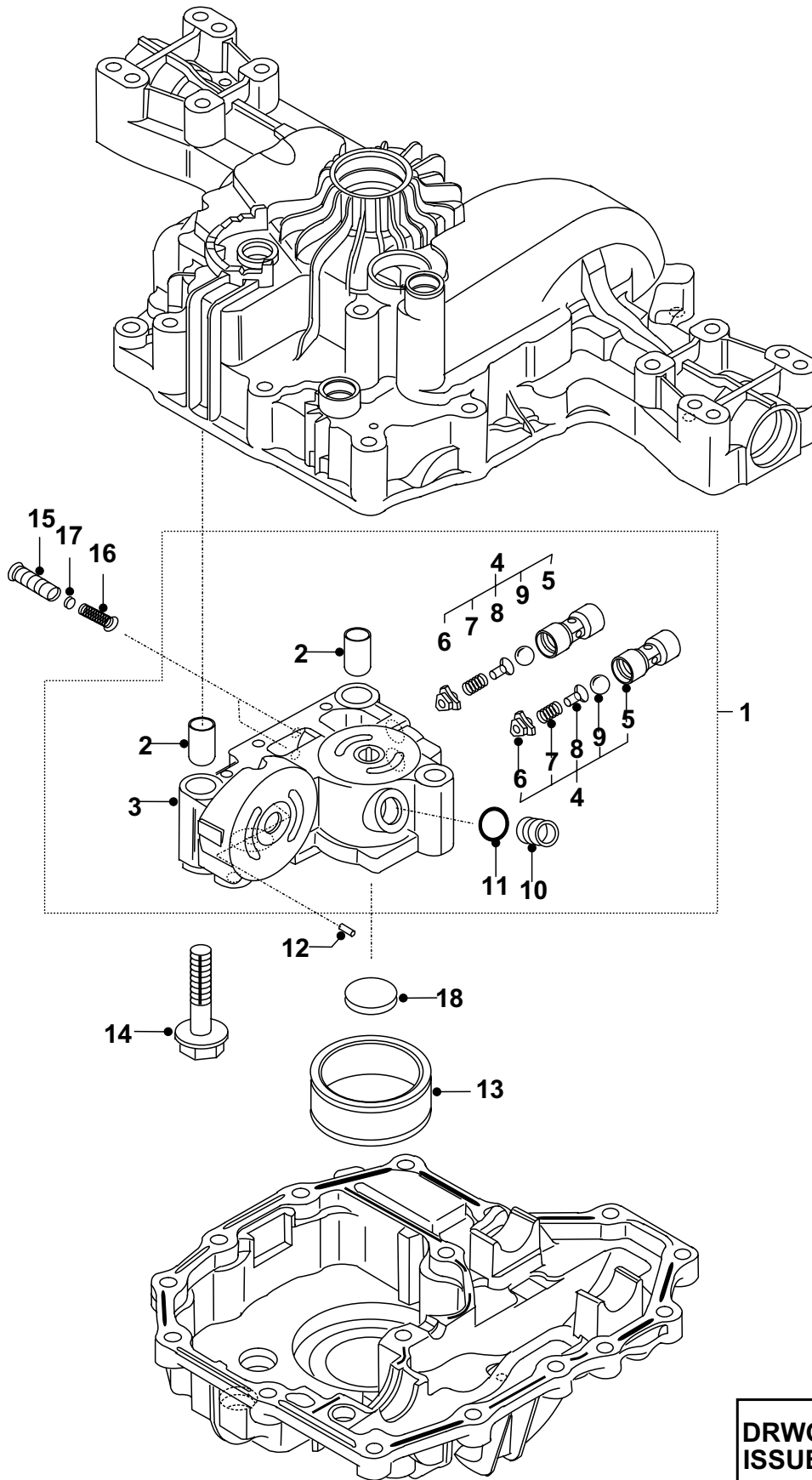
**DRWG NO: G0110001
ISSUE NO: 1**

SECTION 01

K46 TRANSAXLE CASE ASSY (FIG. 01) (DA6460 – 84100)**PARTS LIST**

	PART DESCRIPTION	PART NUMBER
0-1	Transaxle Kit	7A6464 - 24040
1-1	Sealant	194855 - 24040
1-2	Tranaxle Case Set	1A6464 - 84080
1-3	Upper Housing cmp	1A6460 - 24300
1-4	Housing (upper)	1A6460 - 24310
1-5	Bushing 19.05	192163 - 34240
1-6	Bushing 16*21	1A6460 - 24380
1-7	Housing (lower)	1A6460 - 84160
1-8	Reservoir Tank	1A6460 - 24190
1-9	Tube	1A6460 - 24200
1-10	Miniature Clamp	1A6460 - 24230
1-11	Vent Valve 15	194859 - 24252
1-12	Cap (Vent Valve)	194859 - 24262
1-13	Body (Vent Valve)	194859 - 24270
1-14	Magnet 28*3.5	192163 - 24360
1-15	Holder (Magnet)	1A6460 - 24370
1-16	Oil Seal 162203	1A6460 - 24390
1-17	Spring	192154 - 27280
1-18	Shaft (Bypass A)	1A6460 - 29510
1-19	Lever (Bypass)	1A6320 - 29520
1-20	Ring 10	192168 - 29570
1-21	Bore Plug 30	1C6550 - 36300
1-22	Ring 35	22252 - 000350
1-23	Pin3.0A*16	22351 - 030016
1-24	Pin3.0A*20	22351 - 030020
1-25	Packing P 10A	24311 - 240100
1-26	Seal TC153507	24421 - 153507
1-27	Tapping, Screw 8*30	26476 - 080302
1-28	Tapping, Screw 8*55	26476 - 080552
1-29	Washer, Seal 8	22190 - 080000
1-30	Bolt 8*12	26106 - 080122

**Fig.2 CENTER CASE ASSY
(DA6460 - 24500)**



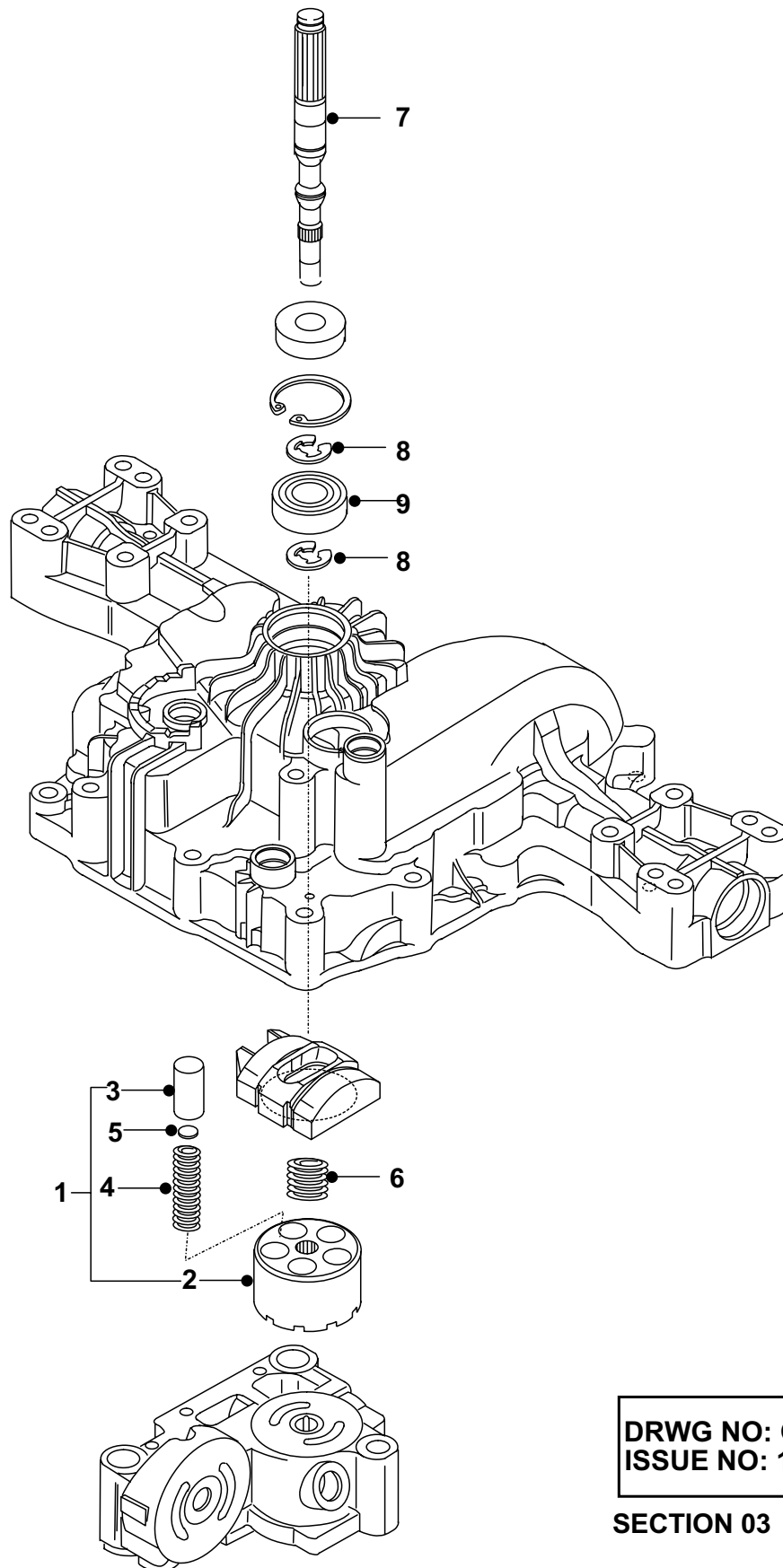
**DRWG NO: G0120001
ISSUE NO: 1**

SECTION 02

K46 CENTER CASE ASSY (FIG.02) (DA6460-24510)**PARTS LIST**

	PART DESCRIPTION	PART NUMBER
2-1	Center Case C CMP	1A6460 - 99321
2-2	Knock Pin 15.5*30	1A6373 - 24450
2-3	Center Case	1A6460 - 99311
2-4	Valve (A -2 Set)	1A6460 - 24620
2-5	Body (A2 Suction)	1A6460 - 24650
2-6	Holder (Suction)	1A6320 - 24690
2 -7	Spring	192154 - 24701
2-8	Holder (Ball)	192154 - 24730
2-9	Ball 3/8	24190 -120001
2-10	Plug (14.5*13)	1A6320 - 24740
2-11	Packing P 10A	24311 -240100
2-12	Pin (3*9.8)	192168 - 24760
2-13	Filter	192163 - 24960
2-14	Bolt 10*75	26106 -100752
2-15	IDS Valve	1A6460 - 24752
2-16	SP(IDS)	1A6460 - 24761
2-17	Filter (100)	1A6460 - 24780
2-18	Magnet 28*3.5	192163 - 24360

Fig.3 PUMP SHAFT ASSY
(DA6460 - 25130)



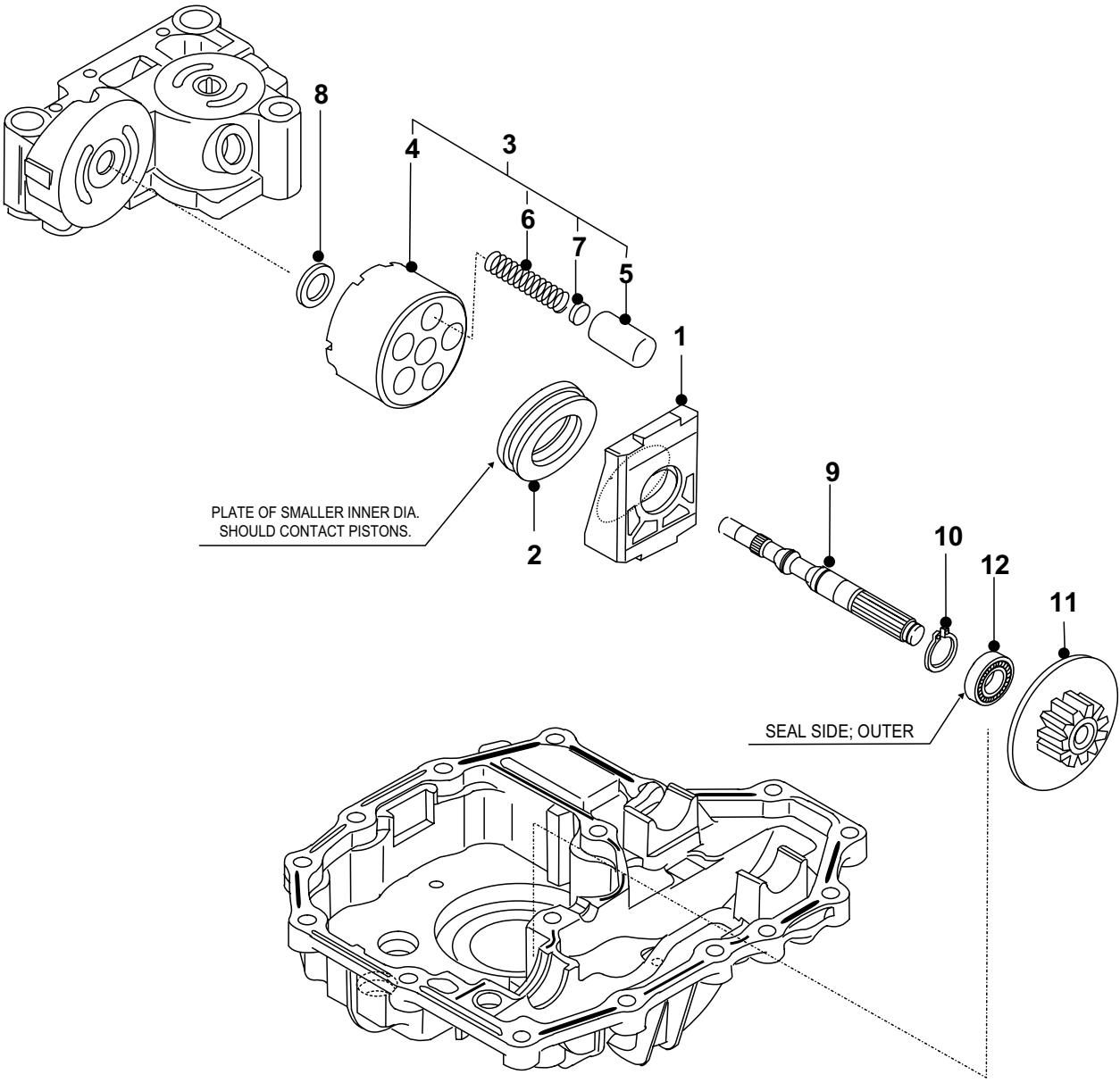
DRWG NO: G0130001
ISSUE NO: 1

SECTION 03

K46 PUMP SHAFT ASSY (FIG.03) (DA6460 – 25130)**PARTS LIST**

	PART DESCRIPTION	PART NUMBER
3-1	Cylinder Block CMP	192168 - 25110
3-2	Cylinder Block	192163 - 25120
3-3	Piston	192163 - 25150
3-4	Spring (Piston)	192163 - 25161
3-5	Washer 9.4	192163 - 25170
3-6	Spring (Pump)	1A6460 - 25200
3-7	Shaft (Pump)	1A6460 - 25251
3-8	Ring E15	192154 - 85310
3-9	Bearing 6202C3	24101 - 062020

**Fig.4 MOTOR SHAFT ASSY
(DA6460 - 25220)**



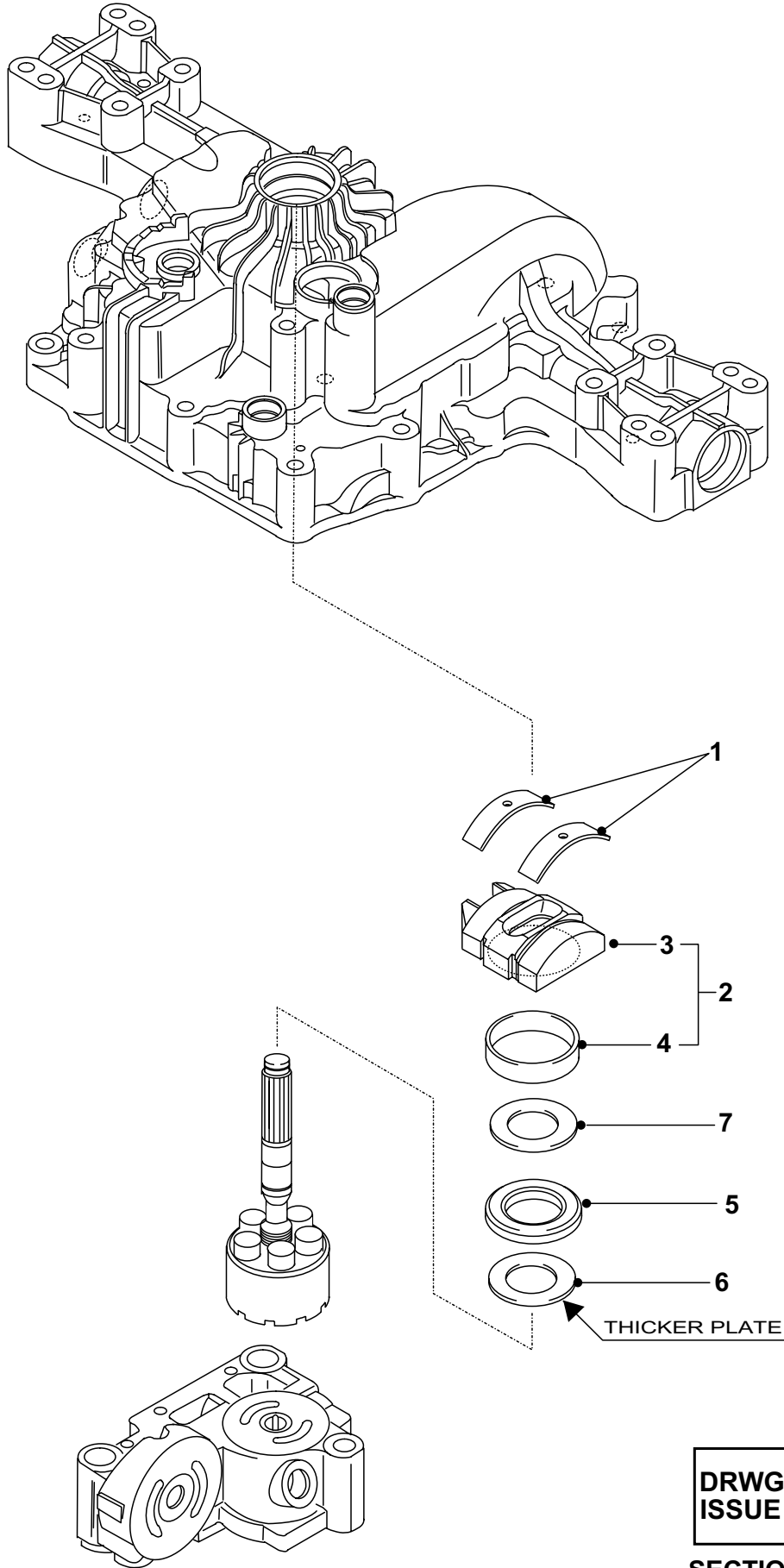
**DRWG NO: G0140001
ISSUE NO: 1**

SECTION 04

K46 MOTOR SHAFT ASSY (FIG.04) (DA6460 – 25220)**PARTS LIST**

	PART DESCRIPTION	PART NUMBER
4-1	Housing	192168 - 24210
4-2	Bearing 51106	192163 - 24240
4-3	Cylinder Block CMP	192168 - 25210
4-4	Cylinder Block	192168 - 25120
4-5	Piston	192154 - 25150
4-6	Spring	192154 - 25160
4-7	Washer	192154 - 25170
4-8	Washer 12*24*1	1A6460 - 25230
4-9	Shaft (Motor)	1A6460 - 25270
4-10	Ring 15	192154 - 25310
4-11	Motor Gear (US)	1A6460 - 25400
4-12	Bearing 6202UC3	24102 - 062020

**Fig.5 RANGE SHIFT ASSY
(D92168 - 87100)**



**DRWG NO: G0150001
ISSUE NO: 1**

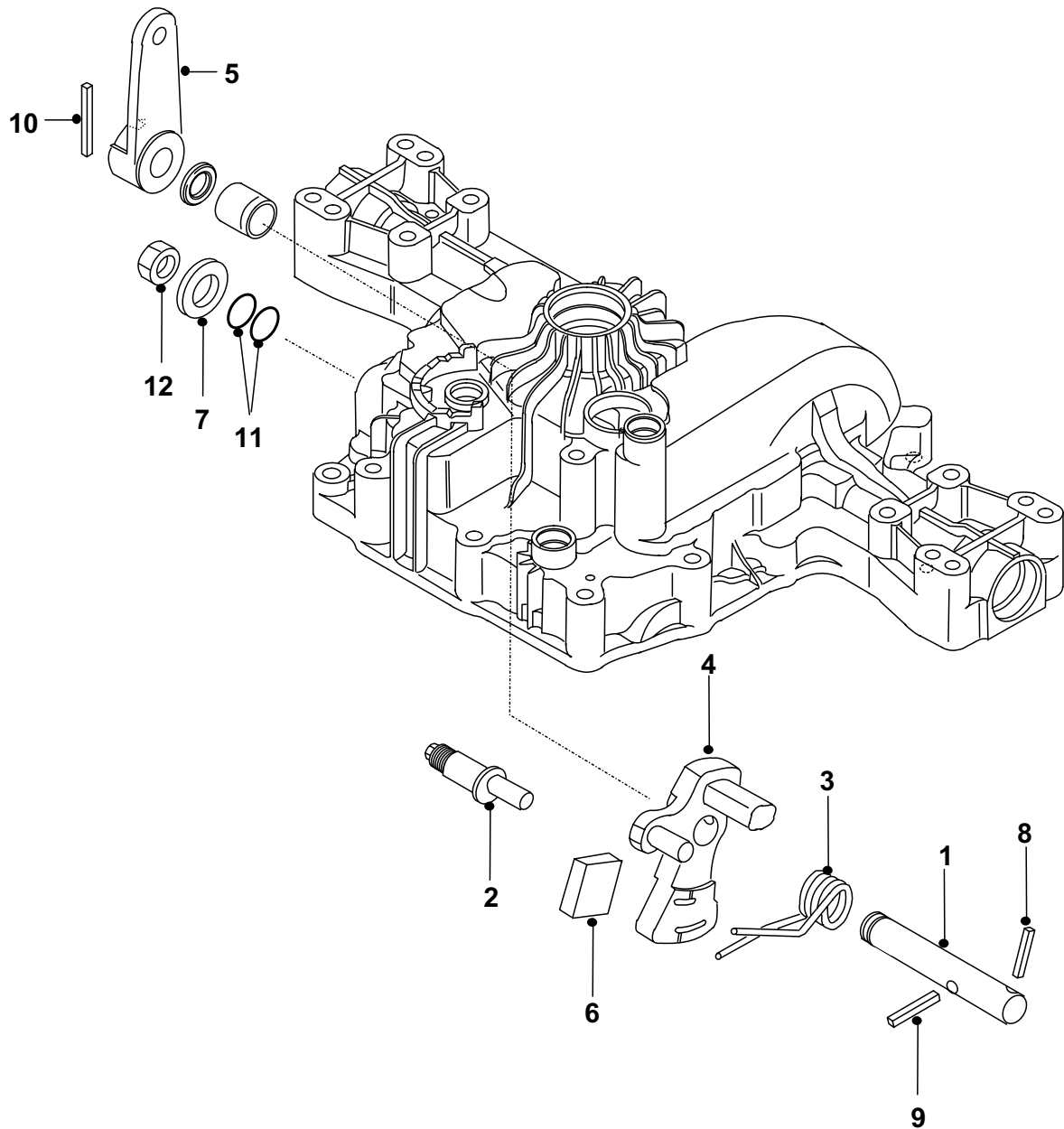
SECTION 05

K46 RANGE SHIFT ASSY (FIG.05) (D92168 – 87100)

PARTS LIST

	PART DESCRIPTION	PART NUMBER
5-1	Thrust Metal	192163 - 27051
5-2	Swash Plate CMP	192163 - 27100
5-3	Swash Plate	192163 - 27120
5-4	Bushing (Pump)	192163 - 27150
5-5	Bearing K81105	192163 - 27160
5-6	Thrust Plate (A)	192063 - 27170
5-7	Thrust Plate (B)	192163 - 27180

Fig.6 CONTROL SHAFT ASSY
(DA6460 - 296500)



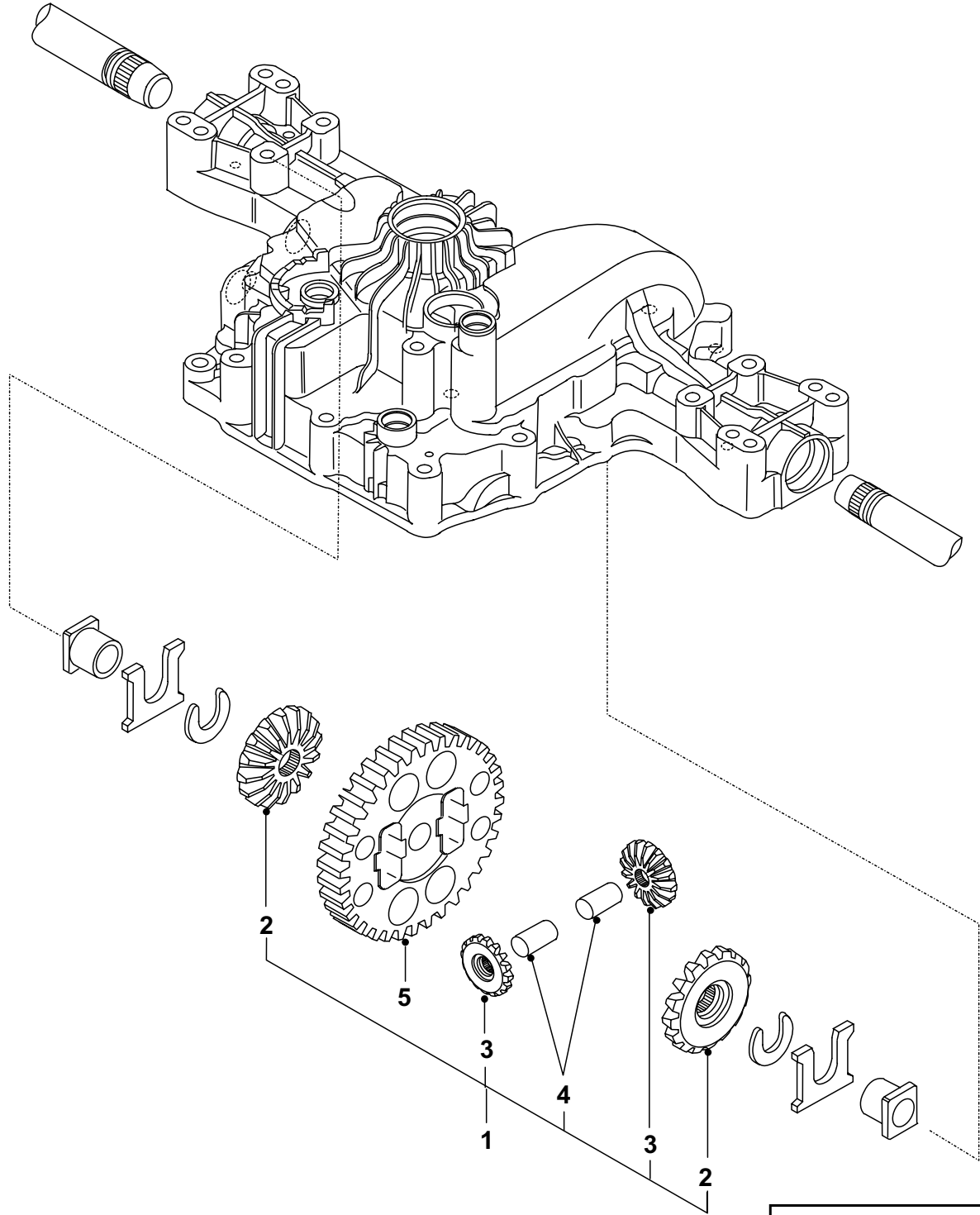
DRWG NO: G0160001
ISSUE NO: 1

SECTION 06

K46 CONTROL SHAFT ASSY (FIG.06) (DA6460 – 29650)
PARTS LIST

	PART DESCRIPTION	PART NUMBER
6-1	Control Shaft	1A6460 - 99470
6-2	Fulcrum (Eccentricity)	1A6320 - 29700
6-3	Spring (Torsion)	1A6460 - 29730
6-4	Control Arm B	1A6460 - 29750
6-5	Control Lever	1A6460 - 29850
6-6	Jerky Plate	1A6460 - 29350
6-7	Washer 12	22137 - 120000
6-8	Pin 6.0*25	22351 - 060025
6-9	Pin 6.0A*32	22351- 060032
6-10	Pin 6.0A*40	22351 - 060040
6-11	Packing P14	24311 - 000140
6-12	Nut 12	26776 - 120002

Fig.7 DIFF. GEAR ASSY
(DA6460 - 31510)



DRWG NO: G0170001
ISSUE NO: 1

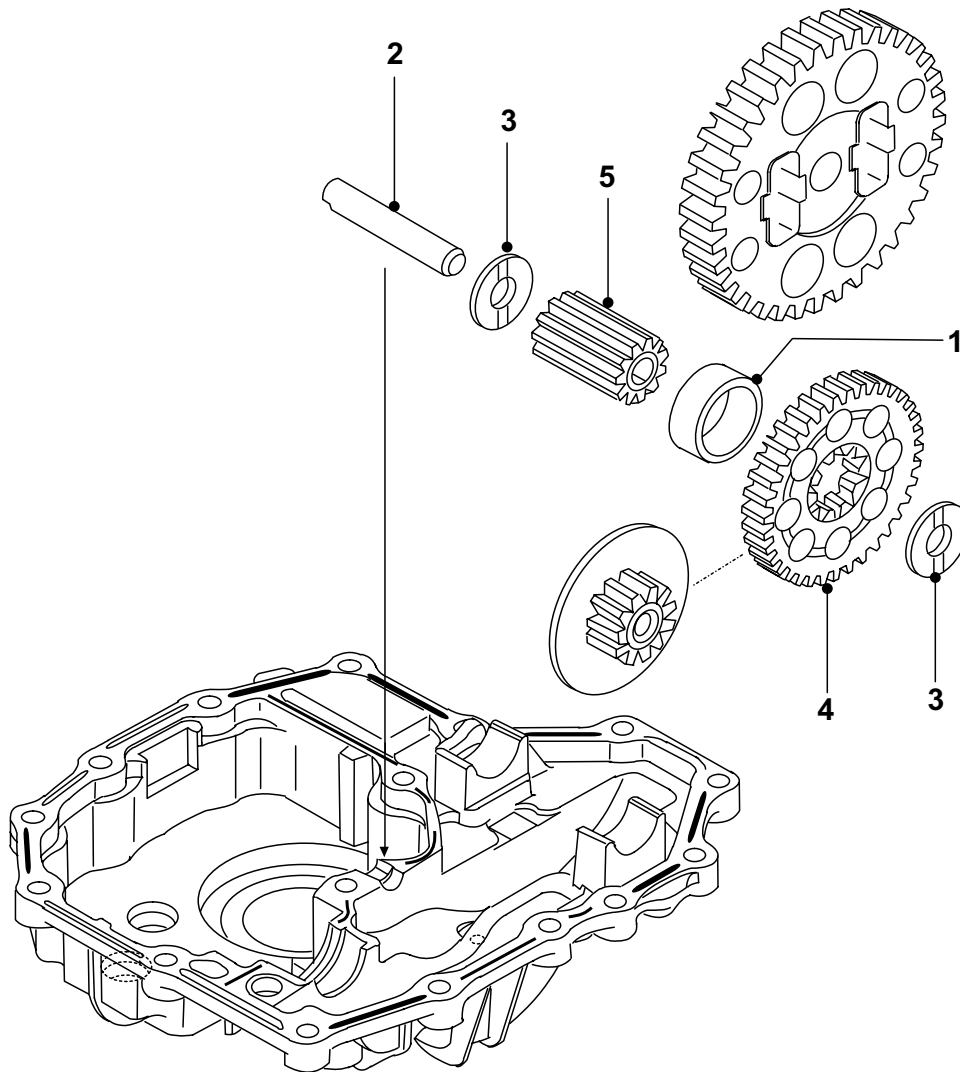
SECTION 07

K46 DIFF. GEAR ASSY (FIG.07) (DA6460 - 31510)

PARTS LIST

	PART DESCRIPTION	PART NUMBER
7-1	Diff. Gear Kit	19268 -31501
7-2	Diff, Side Gear	192168 - 31551
7-3	Diff, Pinion	192168 - 31611
7-4	Pin 13*22.5	192168 - 31620
7-5	Final Gear	1A6460 - 33520

Fig.8 FINAL PINION ASSY
(DA6460 - 33420)



DRWG NO: G0180001
ISSUE NO: 1

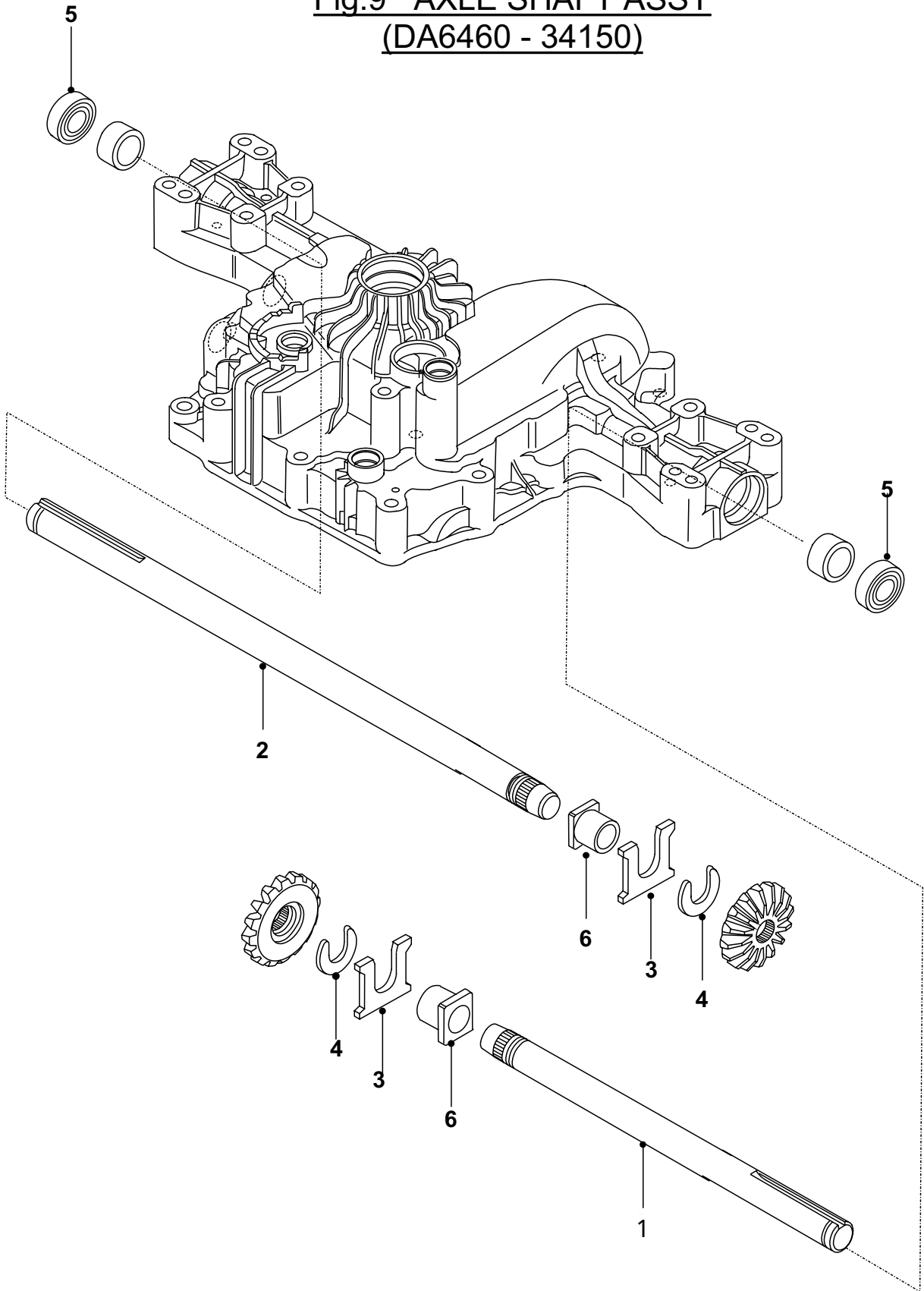
SECTION 08

K46 FINAL PINION ASSY (FIG.08) (DA6460 – 33420)

PARTS LIST

	PART DESCRIPTION	PART NUMBER
8-1	Collar (Final Pinion)	1A6460 - 33250
8-2	Redution Shaft	1A6460 - 33410
8-3	Washer 12*32*3.2	1A6460 - 33420
8-4	Reduction Gear (US)	1A6460 - 33450
8-5	Final Pinion	1A6460 - 33530

Fig.9 AXLE SHAFT ASSY
(DA6460 - 34150)



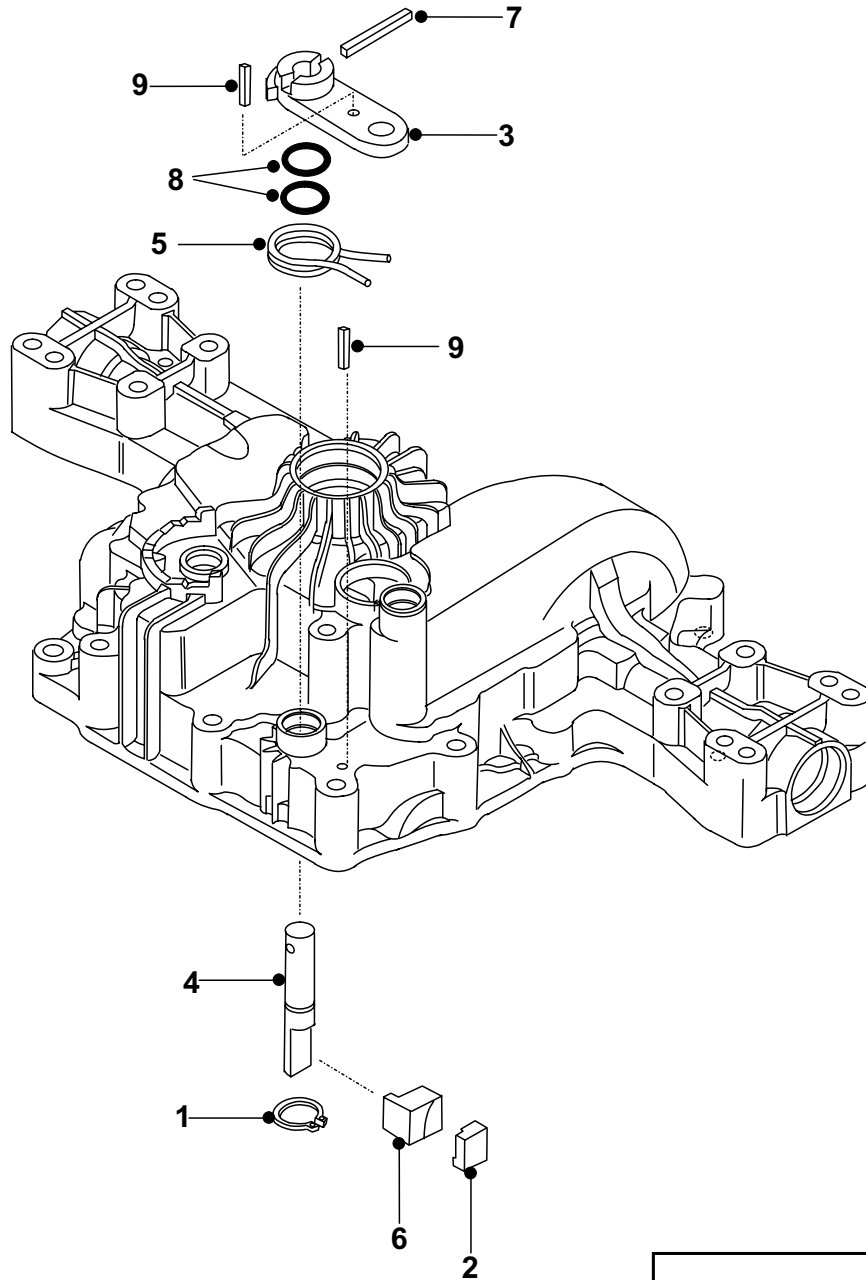
DRWG NO: G0190001
ISSUE NO: 1

SECTION 09

K46 AXLE SHAFT ASSY (FIG.09) (DA6460 - 34510)
PARTS LIST

	PART DESCRIPTION	PART NUMBER
9-1	Axle Shaft L	1A6460 - 34110
9-2	Axle Shaft R	1A6460 - 34120
9-3	Thrust Washer	192163 - 34261
9-4	Ring 17	192168 - 34270
9-5	Seal 19*32*8	192163 -34280
9-6	Bushing	192168 - 34350

**Fig.10 BRAKE ASSY
(DA6460 - 36310)**



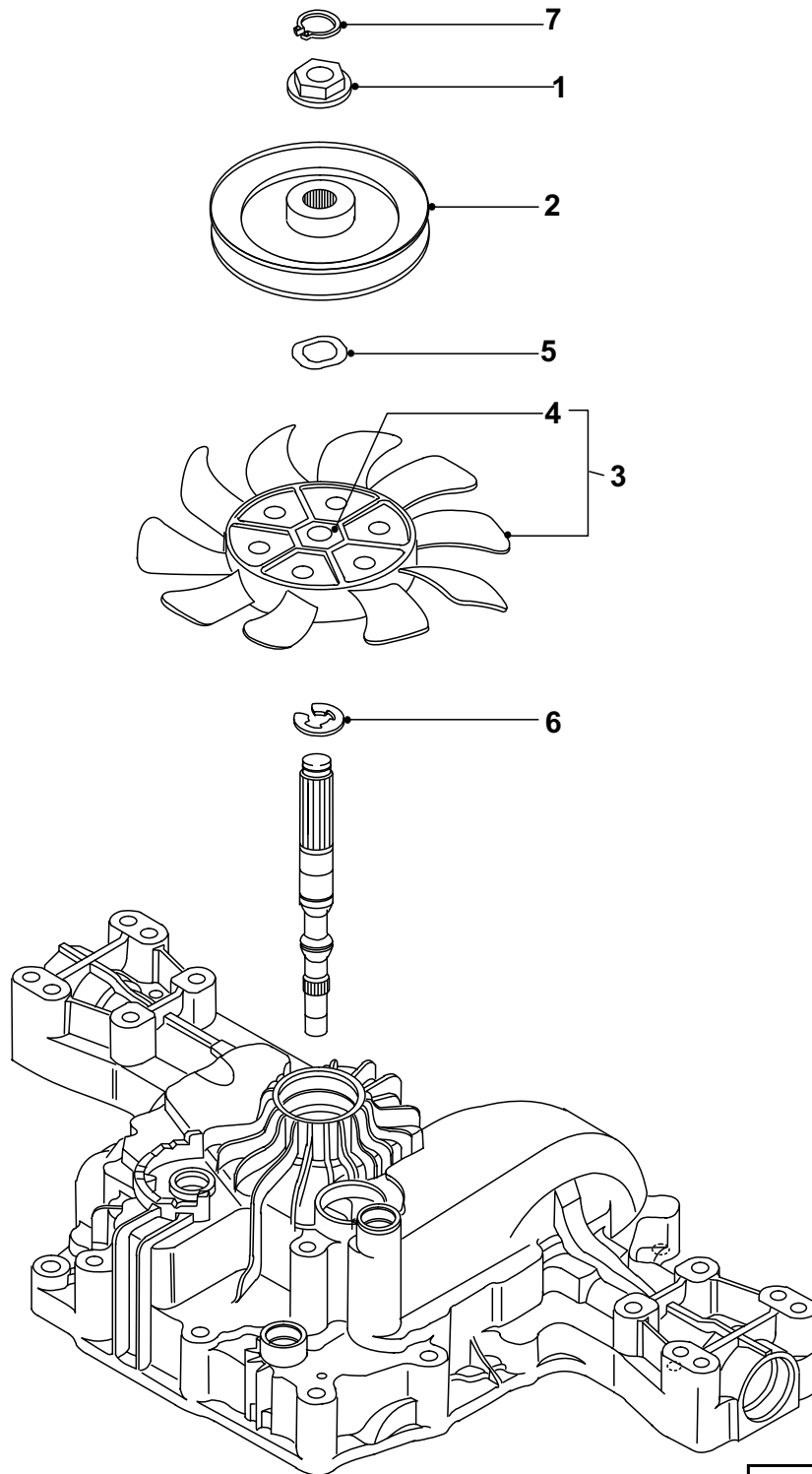
**DRWG NO: G020001
ISSUE NO: 1**

SECTION 10

K46 BRAKE ASSY (FIG.10) (DA6464 – 36210)**PARTS LIST**

	PART DESCRIPTION	PART NUMBER
10-1	Ring 12.7	192151 - 25350
10-2	Shoe (Brake)	1A6460 - 36121
10-3	Arm (Brake)	1A6460 - 36160
10-4	Brake Shaft	1A6460 - 36170
10-5	Return Spring (Brake)	1A6460 - 36180
10-6	Actuater (Brake)	1A6460 - 36200
10-7	Pin 5.0A*32	22351 - 050032
10-8	Packing P12	24311 - 000120
10-9	Pin 4.0A*16	22351 - 040016

Fig.11 FAN PULLEY ASSY
(DA6460 - 80060)



DRWG NO: G0210001
ISSUE NO: 1

SECTION 11

K46 FAN PULLEY ASSY (FIG.11) (DA6460-80060)**PARTS LIST**

	PART DESCRIPTION	PART NUMBER
11-1	Spline Collar	1A6460 - 25300
11-2	Pulley A	1A6460 - 25313
11-3	Fan	1A6460 - 83050
11-4	Spline Collar	1A6460 - 25300
11-5	Lock Washer	1A6460 - 83060
11-6	Ring E15	192154 - 85310
11-7	Snap Ring (SPEC)	192154 - 89090